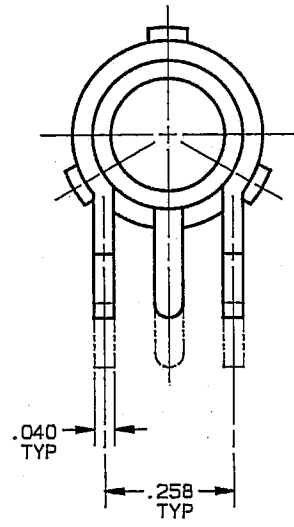
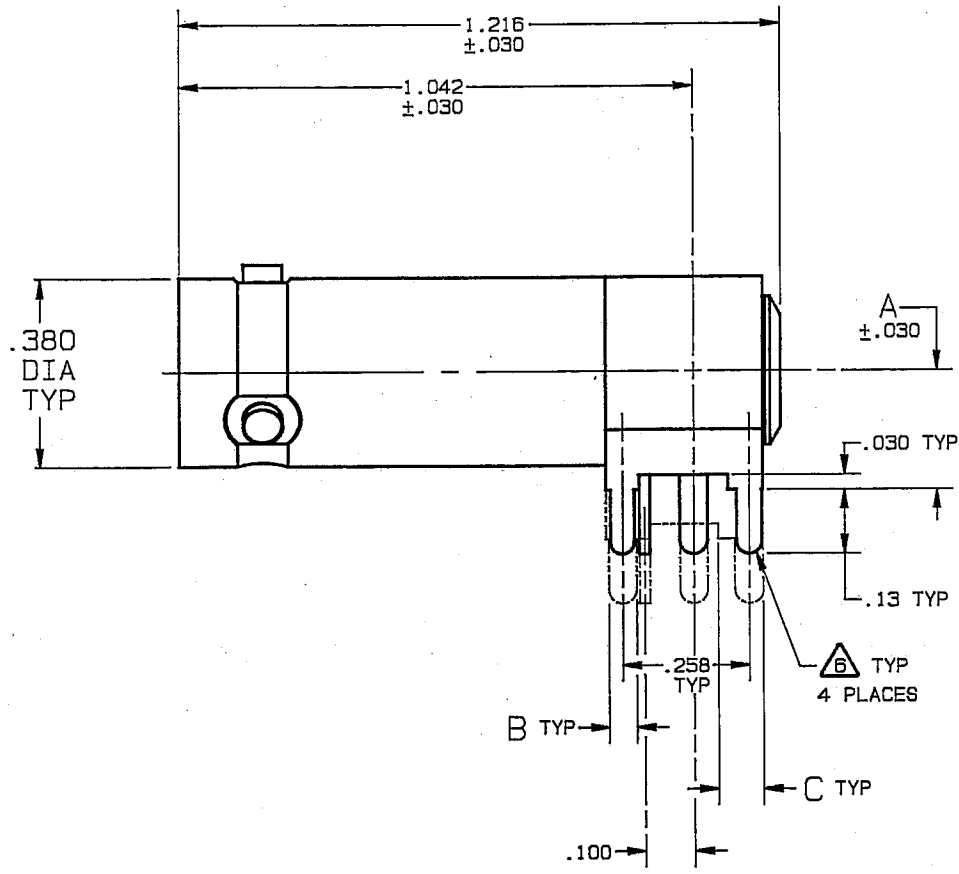
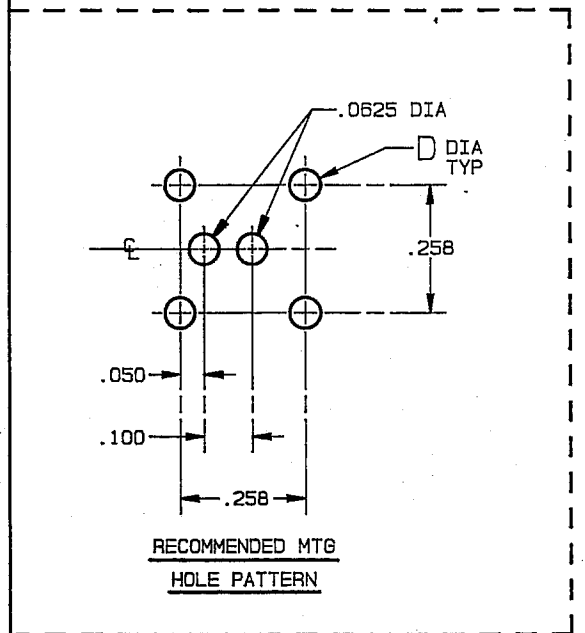


DASH NO	MODEL NO	LTR CODE	A DIM	B DIM	C DIM	D DIM
-1	CBJR70	—	.24	.050	.090	.0625
-2	CBJR70A	A	.34	.058	.090	.070

RED INDICATES ORIGINAL



INCH	MM
.0010	0.03
.0015	0.04
.005	0.13
.030	0.76
.040	1.02
.050	1.27
.058	1.47
.060	1.52
.0625	1.59
.070	1.78
.090	2.29
.100	2.54
.13	3.30
.24	6.10
.258	6.55
.34	8.64
.380	9.65
1.042	26.47
1.216	30.89

6 PRE-TINNED, .0015 MAXIMUM THICKNESS WITH SN63 OR EQUIV SOLDER, PER QQ-S-571, TO WITHIN .050 MAXIMUM OF SHOULDER, AFTER PLATING

5 LTR CODE "A" SHOWN IN PHANTOM

4. EXAMPLE OF COMPLETE MODEL NO:
 CBJR70 A LTR CODE (SEE TABLE) 5
 BASIC MODEL NO (SEE TABLE)

3. FINISH: TFS-1A (NICKEL)

2. CONCENTRIC TWINAX/TRIAX RIGHT ANGLE CIRCUIT BOARD MOUNT TRB SERIES RECEPTACLE

1. ALL DIM ARE IN INCHES

QTY	DESCRIPTION	PART NUMBER	ITEM
TOL UNLESS SPECIFIED .XX ± .XXX ± .005 .XXXX ± .0010 ANGLES ±	TROMPETER ELECTRONICS, INC.	CBJR70 / A	
DWN J S 4/20/92	MATERIAL	CODE IDENT	DRAWING NO.
CHK BMM 4/22/92		14949	3-0280
ENGR	SCALE 4/1	DATE 4-23-92	SHEET 1 OF 2
NEXT ASSY	APPR		