



Metric		Digital model		
Range	Order No.	Resolution	Dimensions of reference face	Remarks
0 - 150mm	329-511-30	0.001mm	101.6X16mm	with 6 rods
0 - 300mm	329-512-30	0.001mm	101.6X16mm	with 12 rods

Inch/Metric		Digital model		
Range	Order No.	Resolution	Dimensions of reference face	Remarks
0 - 6"	329-711-30	.00005" / 0.001mm	4"X.63"	with 6 rods
0 - 12"	329-712-30	.0001" / 0.001mm	4"X.63"	with 12 rods

Metric		Mechanical counter model		
Range	Order No.	Graduation	Dimensions of reference face	Remarks
0 - 25mm	229-101	0.01mm	63.5X16mm	with 1 rod
	229-102	0.01mm	101.6X16mm	with 1 rod
0 - 50mm	229-109	0.01mm	63.5X16mm	with 2 rods
	229-113	0.01mm	101.6X16mm	with 2 rods

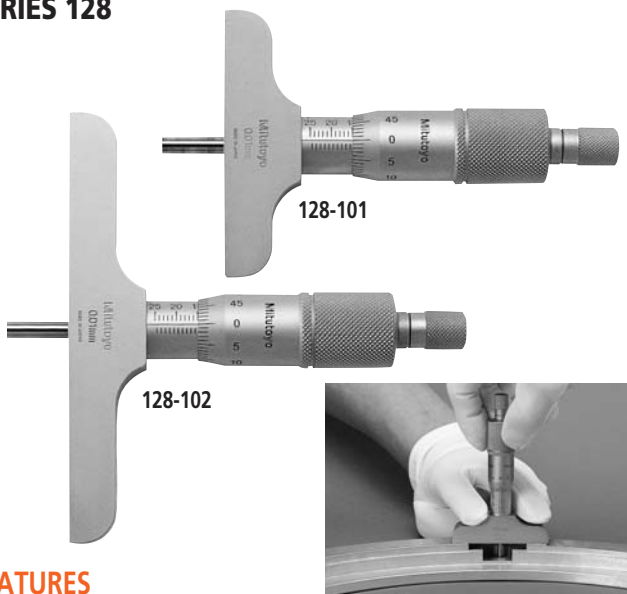
Inch		Mechanical counter model		
Range	Order No.	Graduation	Dimensions of reference face	Remarks
0 - 4"	229-127	.001"	2.5"X.63"	with 4 rods
	229-131	.001"	4"X.63"	with 4 rods
0 - 6"	229-128	.001"	2.5"X.63"	with 6 rods
	229-132	.001"	4"X.63"	with 6 rods

Metric				
Range	Order No.	Graduation	Dimensions of reference face	Remarks
0 - 50mm	129-109	0.01mm	63.5X16mm	with 2 rods
	129-113	0.01mm	101.6X16mm	with 2 rods
0 - 75mm	129-110	0.01mm	63.5X16mm	with 3 rods
	129-114	0.01mm	101.6X16mm	with 3 rods
0 - 100mm	129-111	0.01mm	63.5X16mm	with 4 rods
	129-115	0.01mm	101.6X16mm	with 4 rods
0 - 150mm	129-112	0.01mm	63.5X16mm	with 6 rods
	129-116	0.01mm	101.6X16mm	with 6 rods

Inch				
Range	Order No.	Graduation	Dimensions of reference face	Remarks
0 - 3"	129-126	.001"	2.5"X.63"	with 3 rods
	129-130	.001"	4"X.63"	with 3 rods
0 - 4"	129-127	.001"	2.5"X.63"	with 4 rods
	129-131	.001"	4"X.63"	with 4 rods
0 - 6"	129-128	.001"	2.5"X.63"	with 6 rods
	129-132	.001"	4"X.63"	with 6 rods
0 - 12"	129-149	.001"	2.5"X.63"	with 12 rods
	129-150	.001"	4"X.63"	with 12 rods

Depth Micrometers

SERIES 128



FEATURES

- Ratchet Stop for consistent and repetitive measurements.
- $\varnothing 4$ mm (.157" DIA.) measuring face.
- Satin-chrome finished throughout.
- With spindle locking clamp.
- Crisp clear graduations on the thimble.

SPECIFICATIONS

Metric			
Range	Order No.	Graduation	Dimensions of reference
0 - 25mm	128-101	0.01mm	63.5 x 16mm
	128-103*	0.01mm	63.5 x 16mm
	128-102	0.01mm	101.6 x 16mm
	128-104*	0.01mm	101.6 x 16mm

*The measuring face has a carbide tip.

Inch			
Range	Order No.	Graduation	Dimensions of reference
0 - 1"	128-105	.001"	2.5" x .63"
	128-106	.001"	4" x .63"

*The measuring face has a carbide tip.

Accuracy

- Accuracy of micrometer head: $\pm 3\mu\text{m}$ (.00015")
- Flatness of reference face:
 - 1.3 μm (.00005") for base with 63.5mm (2.5") width
 - 2 μm (.00008") for base with 101.6mm (4") width