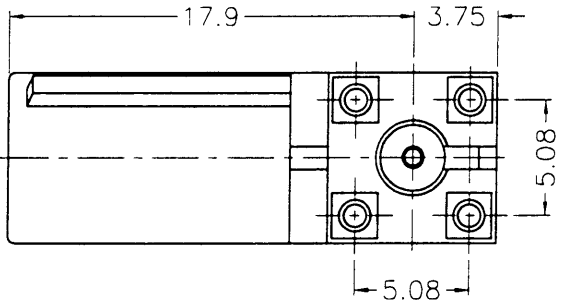
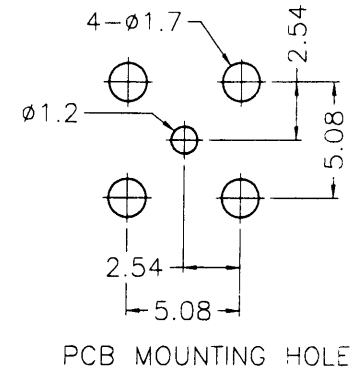
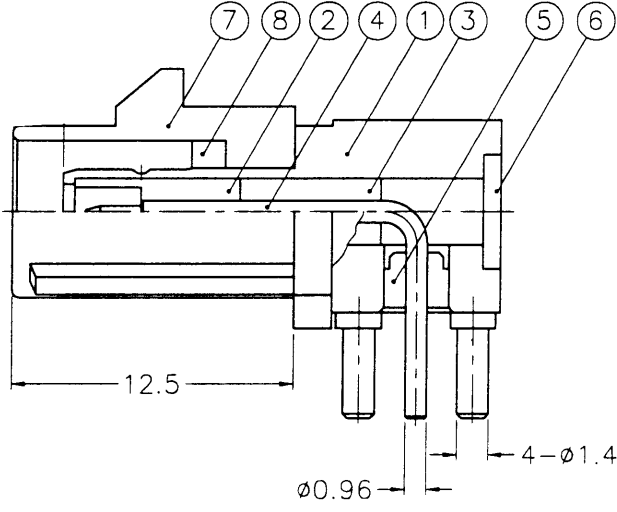
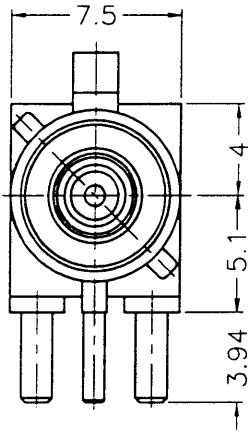


1 2 3 4 5 6 7 8

| REVISIONS | | | |
|-----------|------|------------------------------|--|
| ISS | ZONE | DESCRIPTION\PER REQUEST\DATE | |
| | | | |



* HEATING STAGE: RECOMMEND SOLDERING TEMPERATURE 225°C WITHIN 40 SECONDS.

| | | | | | |
|---|-------------|--------|---------|---|---------------|
| 8 | RING | NOTE 1 | NOTE 2 | 1 | FKLR00101A |
| 7 | LOCK COVER | NOTE 7 | | 1 | SEE TABLE |
| 6 | COVER | NOTE 8 | NOTE 2 | 1 | CV-523X06-T-B |
| 5 | INSULATOR | NOTE 5 | NATURAL | 1 | FKNS01501A |
| 4 | CONTACT PIN | NOTE 1 | NOTE 3 | 1 | FKCP01203A |
| 3 | INSULATOR | NOTE 5 | NATURAL | 1 | FKNS00906A |
| 2 | INSULATOR | NOTE 5 | NATURAL | 1 | FKNS00401A |
| 1 | BODY | NOTE 6 | NOTE 4 | 1 | FKBD03501A |

| DIMENSIONS ARE IN MILLIMETERS | | | |
|---------------------------------------|---|------|--|
| UNLESS OTHERWISE SPECIFIED TOLERANCES | | | |
| 0.5-6 | = | ±0.2 | |
| 6-30 | = | ±0.4 | |
| 30-120 | = | ±0.6 | |
| 120-315 | = | ±1 | |
| 315-1000 | = | ±1.6 | |
| 1000-2000 | = | ±2.4 | |

| | |
|----------|-------------------------------|
| PART NO. | |
| APPROVED | DATE |
| CHECKED | DATE |
| DRAWN | DATE |
| FILE NO. | F:\DWG\FK\1252XX\005\50\NT30G |

| | |
|------------------------------|--|
| Amphenol - Kai Jack | |
| TAINAN TAIWAN | |
| TITLE | |
| FAKRA SMB R/A PCB MOUNT PLUG | |
| DRAWING NO. | |
| FK1252XX-005-NT30G-50 | |
| ITEM NO. | |
| FK1252AEX02NC5F | |

F
E
D
C
B
A

F
E
D
C
B
A

1 2 3 4 5 6 7 8