

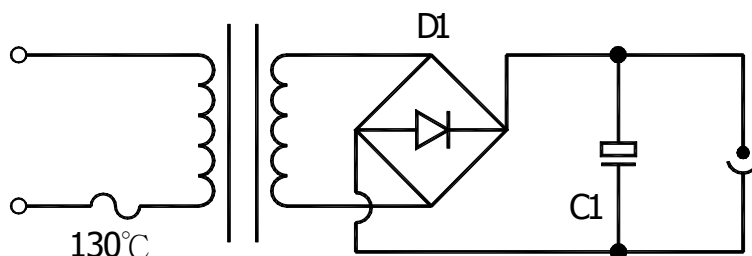
Data Sheet

S2061ST

ELECTRICAL SPECIFICATIONS

Primary	Voltage			230	V	50	Hz
	Exciting current ,Open Circuit			50	mA	max	
	D C Resistance $\pm 15\%$			540	Ohm		
Secondary	No	Tap NO.	Open Circuit Voltage $\pm 10\%$		Loaded Voltage $\pm 10\%$		
			AC	DC			
	1			12.5 V	DC 9 V @ 300mA		
Rated Continuous Output Power	VA						
Insulation Resistance	Primary-Secondary		100M ohm.	@	DC 500V		
	Primary-Core		100M ohm.	@	DC 500V		
Dielectric Strength	Primary-Secondary		AC	4200	V	1 minute	
	Primary-Core		AC	4200	V	1 minute	
	Secondary-Core		AC	2100	V	1 minute	
Temperature Rise:	At Rating Load		80° C	Maximum			

Schematic Diagram:



D1—IN4001×4

C1—1000uF/16V

Description :	Part No.:	Our Model No.:	Date:	Page:
230V / DC 9V 300mA	S2061ST		16 July 2010	1

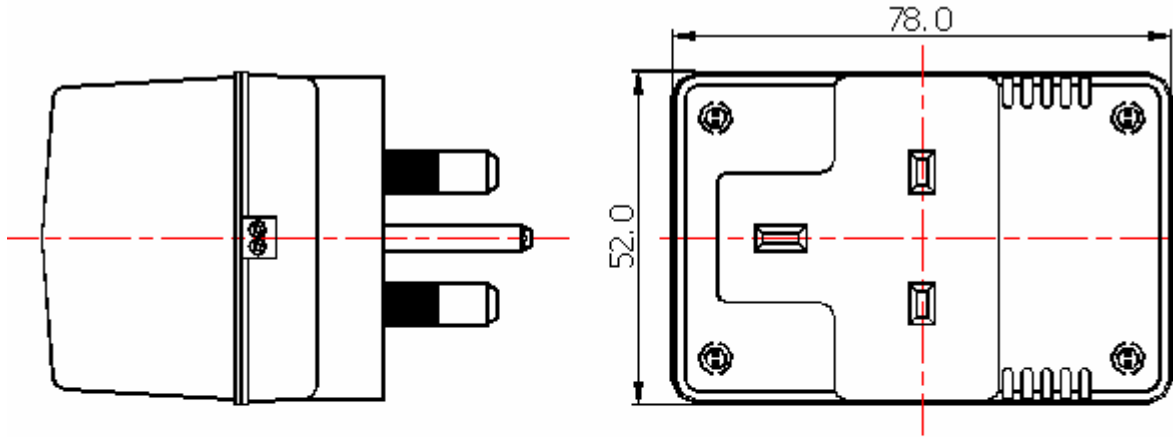
Data Sheet

S2061ST

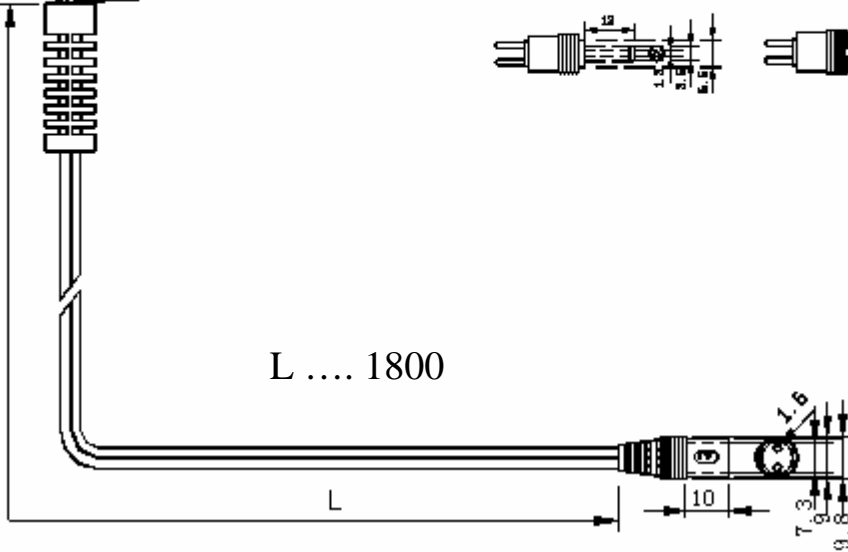
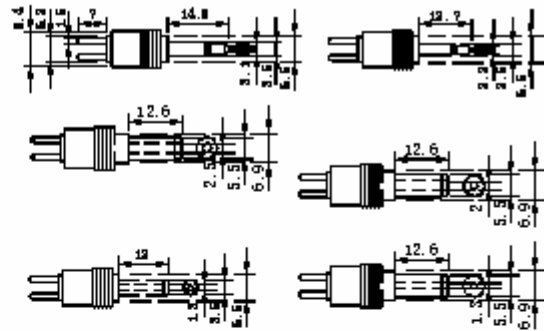
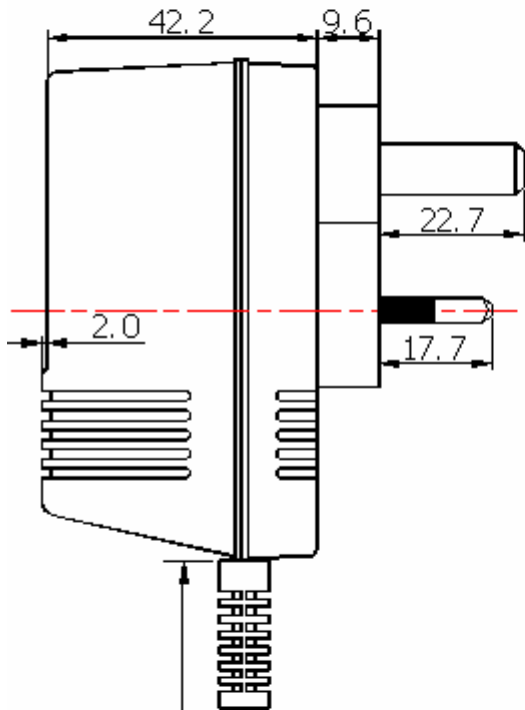
STONTRONICS

THE POWER TO SUPPLY

CHANGEGATE BUSINESS CENTRE, CRADOCK ROAD, READING, BERKS. RG2 0AH.
 Tel: 0118 931 1199 Fax: 0118 931 1145
 E-Mail: info@stontronics.co.uk www.stontronics.co.uk



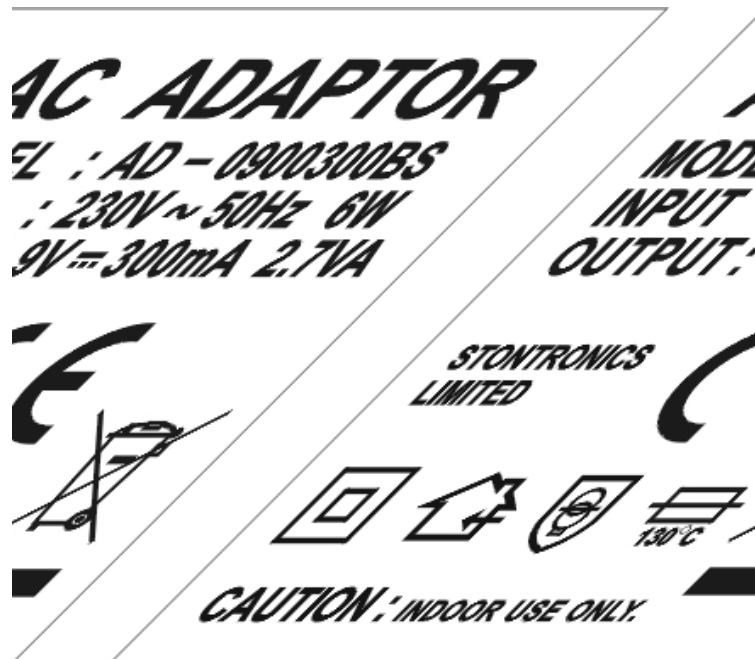
All dimensions are in mm.



Center: (+)

Description : 230V / DC 9V 300mA	Part No.: S2061ST	Date: 16 July 2010
	Our Model No.:	Page: 2

RATING LABEL



PAD PRINTING
 BASE: BLACK COLOR
 WORDS: WHITE COLOR

Description : 230V / DC 9V 300mA	Part No.: S2061ST	Date: 16 July 2010
	Our Model No.:	Page: 3