

**MICRO SWITCH**  
a Honeywell Division

FED. MFG. CODE 91929

ASSEMBLY—SWITCH

CATALOG LISTING

4AC55

KC-D0563

MILITARY STDS PART NO.  
MS 16106-5

CATALOG LISTING  
4AC55

PAGE 1 OF 1

ISSUE  
6

REVISIONS  
A CO-83637  
K D R  
27 SEP 96

DDM/CAD  
DRAWN

REPLACES

RELEASE NO. PR-152

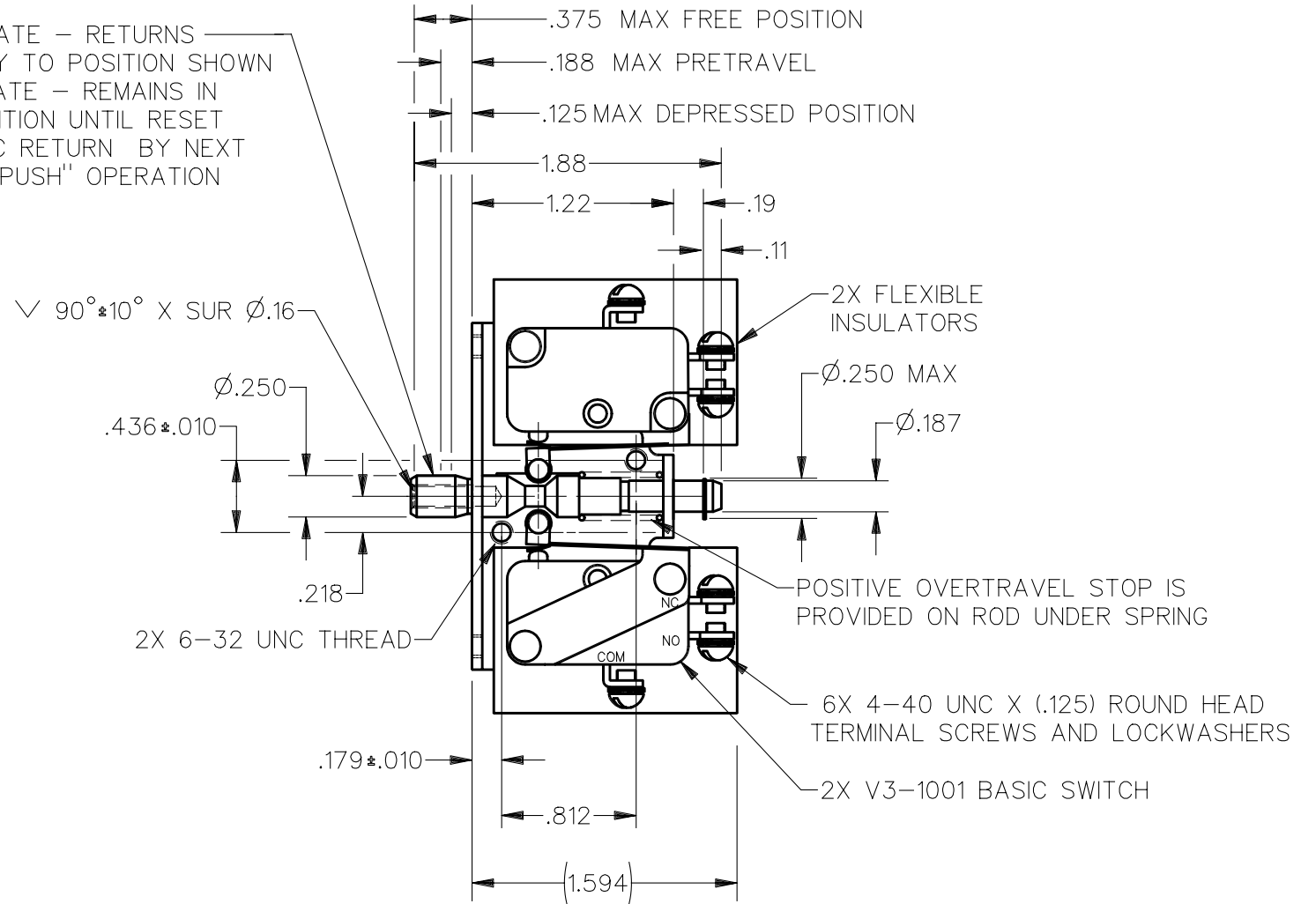
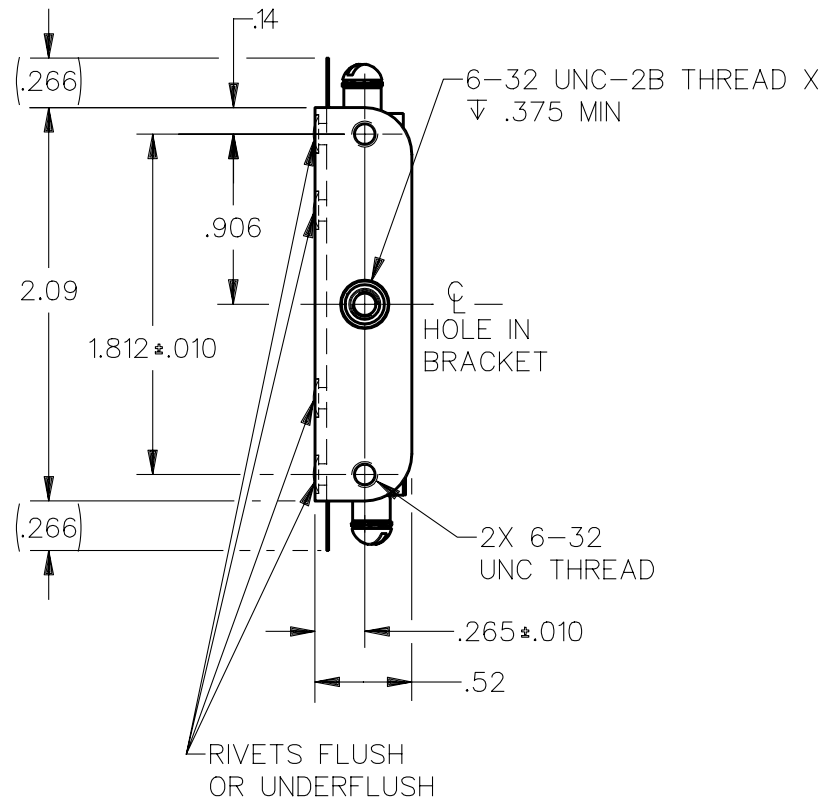
CHECK

CHECK

CHECK

K D R 27 SEP 96

PUSH TO OPERATE — RETURNS  
AUTOMATICALLY TO POSITION SHOWN  
PULL TO OPERATE — REMAINS IN  
OPERATED POSITION UNTIL RESET  
FOR AUTOMATIC RETURN BY NEXT  
FULL STROKE "PUSH" OPERATION

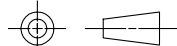


NOTES

- 1 — SWITCHES DO NOT NECESSARILY OPERATE SIMULTANEOUSLY
- 2 — NOTCH IN ACTUATOR ROD WILL PERMIT .035 DISPLACEMENT BETWEEN END OF ROD AND HOLE IN BRACKET
- 3 — BASIC SWITCH PLASTIC PARTS ARE MADE OF DIALLYL PHTHALATE
- 4 — WITH ROD IN EITHER ACTUATED POSITION, BASIC SWITCH PLUNGER OPERATED MUST HAVE .010 MIN OVERTRAVEL AND THE UNOPERATED PLUNGER MUST HAVE .005 MIN RELEASE TRAVEL, WITH ROD IN FREE POSITION, BASIC SWITCH PLUNGER MUST HAVE .005 MIN RELEASE TRAVEL

THIS DRAWING COVERS A PROPRIETARY ITEM AND IS THE PROPERTY OF MICRO SWITCH, A DIVISION OF HONEYWELL. THIS DRAWING IS NOT TO BE COPIED OR USED WITHOUT THE APPROVAL OF MICRO SWITCH

THIRD ANGLE PROJECTION



CHARACTERISTICS

TOTAL TRAVEL  
.250 APPROX PUSH DIRECTION  
.187 APPROX PULL DIRECTION

ELECTRICAL DATA

CONTACT ARRANGEMENT  
2X S P D T

SCALE FULL

DO NOT SCALE PRINT

UNLESS OTHERWISE SPECIFIED  
TOLERANCES ARE

ONE PLACE (.0) ±.030  
TWO PLACE (.00) ±.015  
THREE PLACE (.000) ±.005  
ANGLES ±

WEIGHT .125 LB

ANSI Y14.5M-1982 APPLIES