

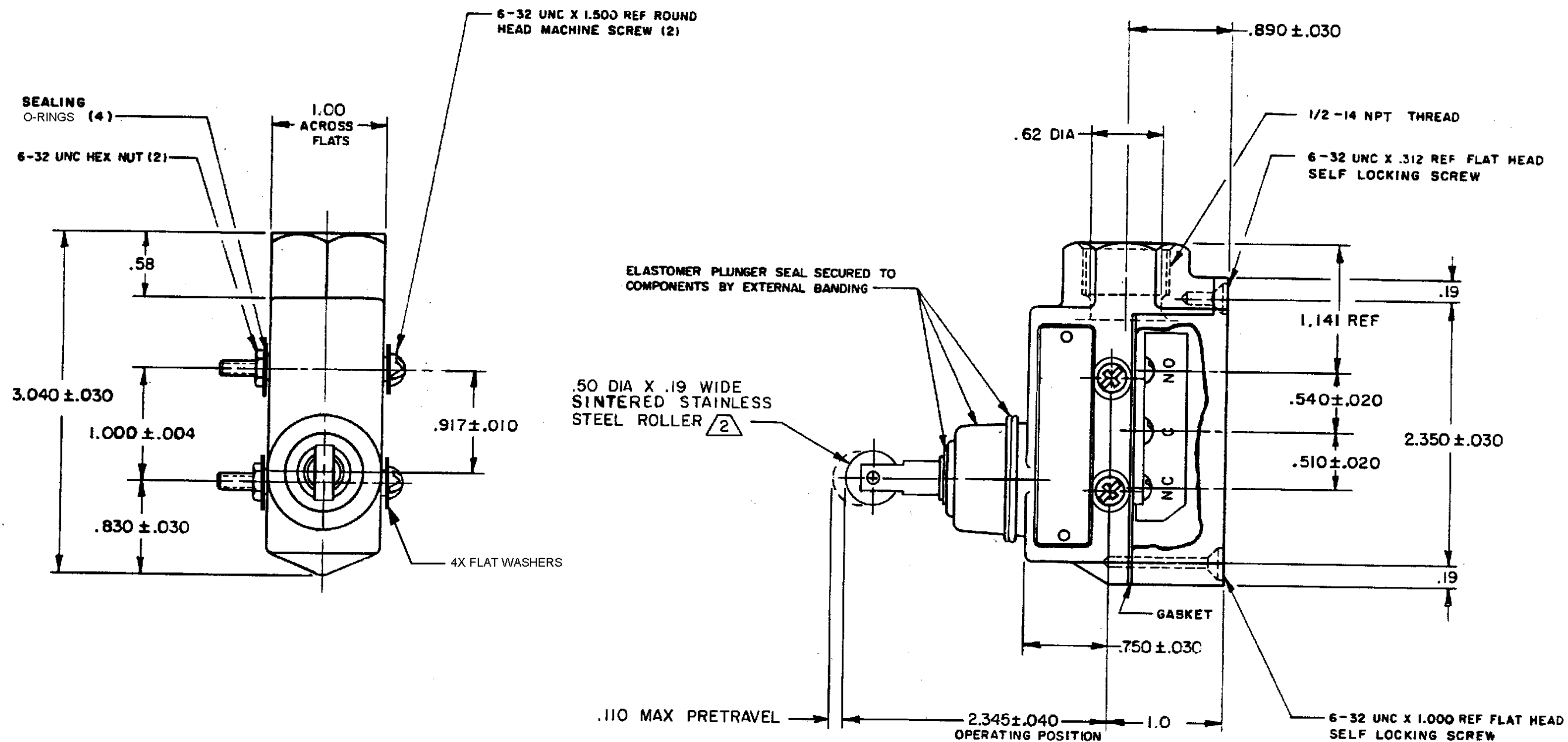
MICRO SWITCH
 FREEPORT, ILLINOIS, U.S.A.
 A DIVISION OF HONEYWELL
 FED. MFG. CODE 91929

SWITCH-ENCLOSED

CATALOG LISTING
DTE6-2RN80

M

DTE6-2RN80
 M
 DRAWING NUMBER
 6
 ISSUE
 14FEB06
 BP
 CHECK
 18NOV05
 BP
 CHECK
 0018962
 7APR89
 LAD
 CHECK
 4 APR 89
 MAM
 DRAWN
 FO-52851-B



REVISIONS

A	CO72661	DAW	18NOV05
B	77179B	CO	21 FEB 94
C	77426C	CO	20 JUL 94
D	0016895	VKR	18NOV05
E	0018962	VKR	14FEB06

THIS DRAWING COVERS A PROPRIETARY ITEM AND IS THE PROPERTY OF MICRO SWITCH, A DIVISION OF HONEYWELL. THIS DRAWING IS NOT TO BE COPIED OR USED WITHOUT THE APPROVAL OF MICRO SWITCH.

CHARACTERISTICS	
OPERATING FORCE	20 - 48 OZ
DIFFERENTIAL FORCE	
RELEASE FORCE	6 OZ MIN
PRETRAVEL	
DIFFERENTIAL TRAVEL	.060 MAX
OVERTRAVEL	.125 MIN
FREE POSITION	
SWITCH - BASIC REPLACEMENT - DT-2R3-A7	

ELECTRICAL DATA	
CONTACT ARRANGEMENT D P D T	
L59	
10A 125 OR 250 VAC 0.3A 125 VDC, 0.15A 250 VDC	

SCALE FULL
DO NOT SCALE PRINT
UNLESS OTHERWISE SPECIFIED TOLERANCES ARE
ONE PLACE (.0) ±.030
TWO PLACE (.00) ±.015
THREE PLACE (.000) ±.005
ANGLES ±
THIRD ANGLE PROJECTION
WEIGHT .56 LB

NOTES

- 1 - 4-40 UNC X .125 REF TERMINAL SCREW & LOCKWASHER (6)
- 2 - ROLLER MAY BE SET AT ANY POSITION AROUND AXIS OF PLUNGER
- 3 - SEAL RATING : NEMA 1.3
IP 54