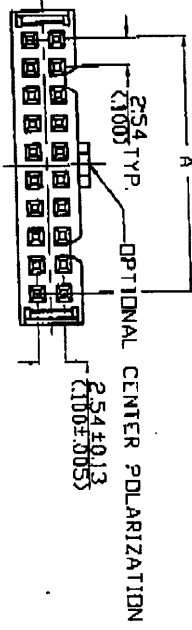
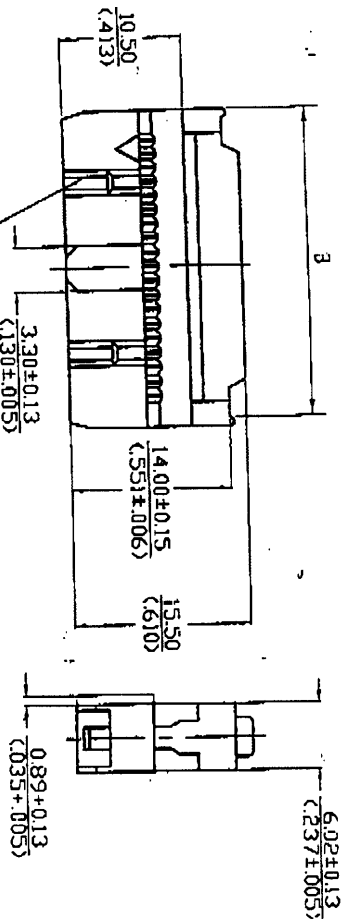
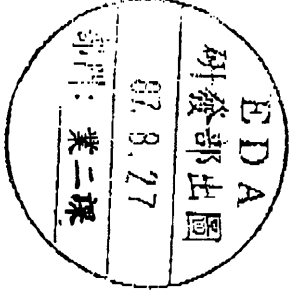


研發部

166922



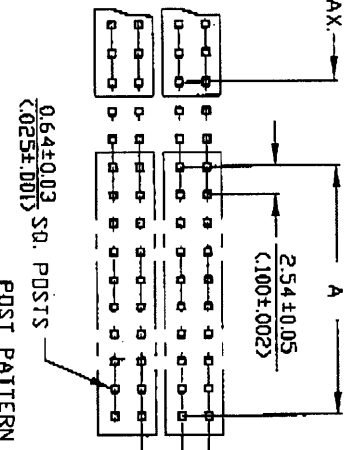
PART NO. 6F D 50 - 3 3 P 1
 (1) (2) (3) (4) (5) (6) (7)



- 1. SERIES NO. 6F - 100* 1.D.C. SOCKET CONNECTOR
- 2. CONSTRUCTION TYPE S - SINGLE ROW D - DOUBLE ROW
- 3. NO. OF CONTACTS EX. 10-10 POSITIONS (10,14,16,20,24,26,30,34,40,50,60,64)
- 4. COLOR CODE 1 - BLUE 2 - GRAY 3 - BLACK 4 - WHITE

- 5. CONTACT FINISH 0 - GOLD FLASH OVER 50μ NICKEL 2 - 15μ GOLD OVER 50 μ NICKEL 3 - 30μ GOLD OVER 50 μ NICKEL
- 6. STRAIN RELIEF 0 - WITHOUT END CLAMPING COVER N - WITHOUT STRAIN RELIEF WITH OPEN END CLAMPING COVER P - PLASTIC STRAIN RELIEF WITH OPEN END CLAMPING COVER A - WITHOUT STRAIN RELIEF WITH CLOSE END CLAMPING COVER B - PLASTIC STRAIN RELIEF WITH CLOSE END CLAMPING COVER
- 7. CENTER POLARIZATION CODE 0 - WITHOUT CENTER POLARIZATION OF HOUSING 1 - WITH CENTER POLARIZATION OF HOUSING

SPECIFICATIONS
 CURRENT RATING: 1 AMP
 DIELECTRIC WITHSTANDING VOLTAGE: 5000 V AC MIN FOR 1 MINUTE
 INSULATION RESISTANCE: 1000MΩ MIN. AT 500 V DC
 WORKING TEMPERATURE: -55°C TO +105°C
 CONTACT RESISTANCE: 30mΩ MAX. MATED
 INSULATOR MATERIAL: GLASS FILLED PBT RESIN, BLACK, UL 94V-0
 CONTACT MATERIAL: BRASS
 DURABILITY: 100 CYCLES
 WIRE SIZE: AWG 28 STRANDED .050 (1.27MM) CENTER RIBBON CABLE
 MATING FORCE: 5.75 OZ (163g.f.) PER CONTACT MAX.
 UNMATING FORCE: 0.70 OZ (20g.f.) PER CONTACT MIN.
 MATING PIN LENGTH: .200 (5.08MM) TO .250 (6.35MM) DF .025 (6.35MM) SQ. DR ROUND PIN



3.81 MIN. (150) WITHOUT CENTER POLARIZATION 6.35 MIN. (250) WITH CENTER POLARIZATION

6F D10	1016(400)	1735(683)	6F D30	3556(1400)	4275(1683)
6F D14	1524(600)	2243(883)	6F D34	4050(1600)	4783(1883)
6F D16	1778(700)	2497(983)	6F D40	4826(1900)	5545(2183)
6F D20	2286(900)	3005(1183)	6F D50	6096(2400)	6815(2683)
6F D24	2794(1100)	3513(1383)	6F D60	7366(2900)	8085(3183)
6F D26	3048(1200)	3767(1483)	6F D64	787(3100)	8593(3383)
PART NO.	A ± 0.13 (0.05)	B ± 0.25 (0.10)	PART NO.	A ± 0.13 (0.05)	B ± 0.25 (0.10)

MATERIAL	TOLERANCE UNSPECIFIED	EDA INC.	
FINISH	ANGLE	SCALE	UNIT
	DRAIN 吳千鈺 6/9/95	1:1	(INCH) MM
	DESIGNER	NAME	SHEET
	CHECKED	DOUBLE ROW DC SOCKET	10/10
	APPROVED	DRAWING NO.	REV.
		R-106F-2	

7 Pages

REV.	ZONE	LTR	DESCRIPTION	DATE	REVISER	APPD
------	------	-----	-------------	------	---------	------