

A

Cooling aggregates with axial fan

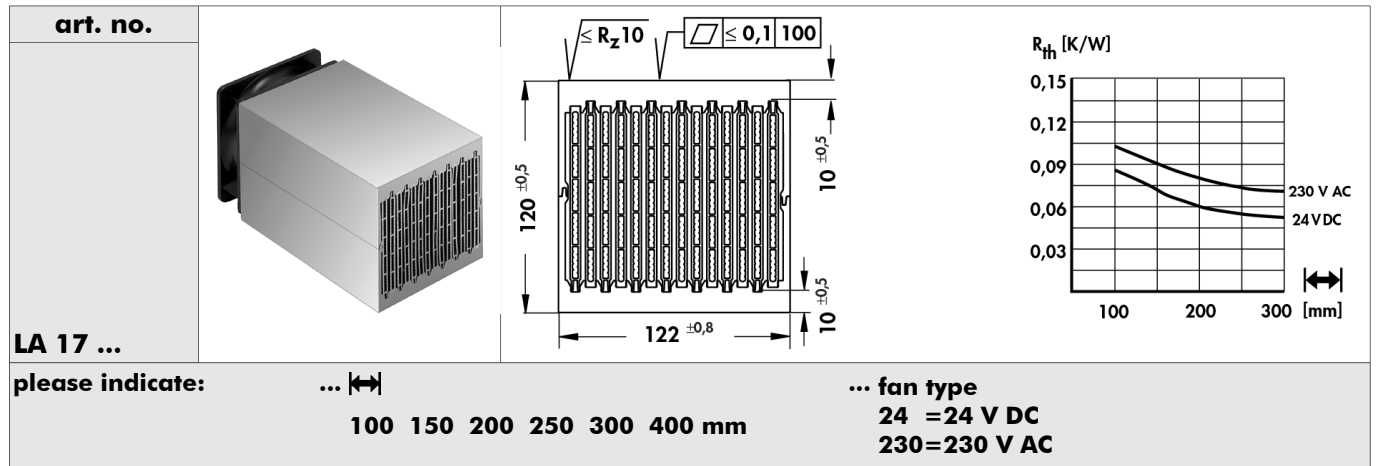
B

Hollow-fin cooling aggregates

- extremely low losses due to optimised hollow fin geometry
- effective heat dissipation
- compact construction with axial fans
- two opposite mounting surfaces are milled flat

C

without air flow chamber



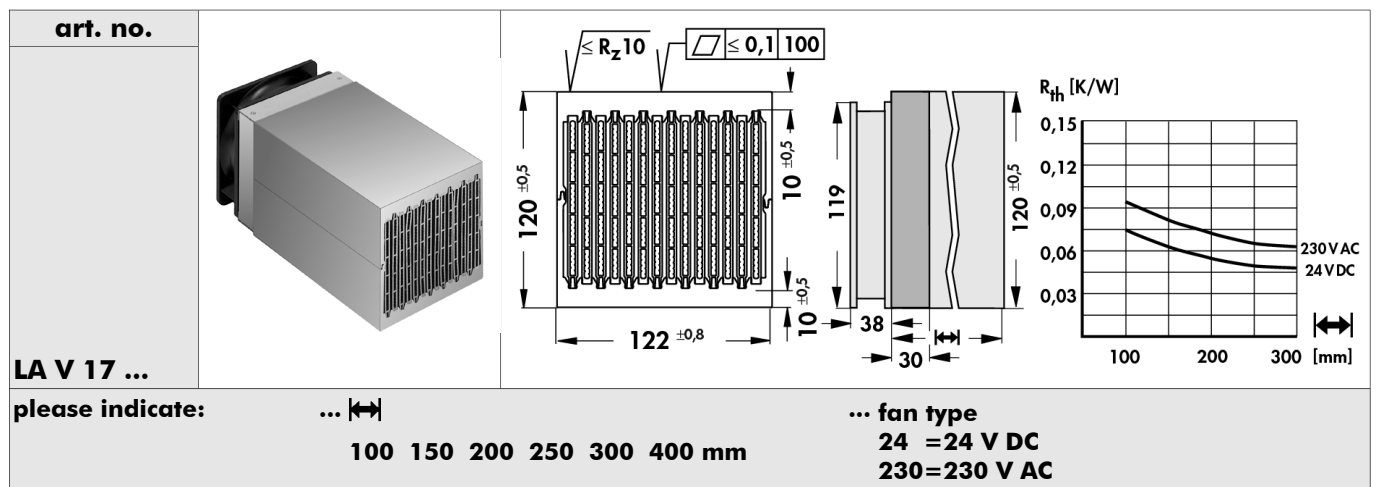
D

E

additional treatment upon customer's request

F

with air flow chamber



G

H

I

additional treatment upon customer's request

K

Technical data of the fans

	... 24	... 230
type	Papst, ball bearing	Papst, ball bearing
dimensions	119 x 119 x 38 mm	119 x 119 x 38 mm
voltage	24 V DC	230 V AC
power input	11 W	19 W
max. air flow	237 m ³ /h	160 m ³ /h
temperature range	-30 °C ... +55 °C	-40 °C ... +85 °C
noise level	59 dB(A)	47 dB(A)
rated speed	4,400 min ⁻¹	2,650 min ⁻¹
weight	390 g	550 g
failure rate	L ₁₀ > 70.000 h (40 °C)	L ₁₀ > 37.500 h (40 °C)

M

N

D 19

Protection grid for axial fans → D 30
 High capacity cooling aggregat. → D 21 – 24
 Cooling aggregates with radial fan → D 27 – 29
 Cooling aggreg. in segment mount. → D 3 – 5

Hole pattern → A 21
 Silicone wafers → E 2 – 4
 Thermal. conductive silicone foam foil → E 6
 Mounting pads → E 36