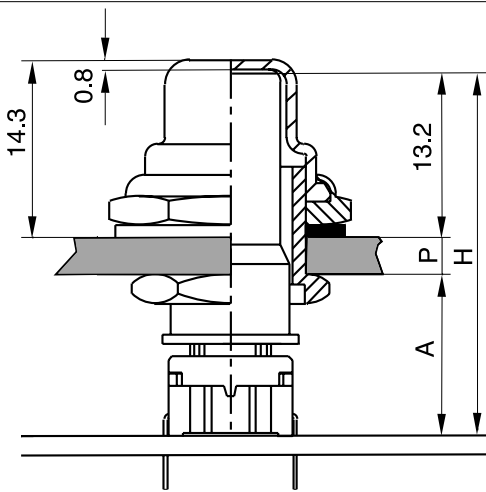


### Specifications switches:

- through-hole or SMD
- 50mA/24VDC
- single pole/momentary
- 10.000.000 operations life time
- IP67 sealing
- temperature range:  
low temp: -40/+115°C  
high temp: -40/+160°C

### Specifications Sealing Boot:

- Operating temperature: -40°/+85°
- sealing: IP67
- sealing life time: 2.000.000 operations
- material: silicone



$$H = A + P + 13.2$$

This leaves nominal 0.3 mm clearance between the top of the cap and the inner side of the sealing boot to accomplish assembly tolerances. **A** can be chosen between 10 -13 mm, we recommend 10 mm to reduce building height and optimize cap guidance.

A	P	CAP	H	BUSHING
10.0	1.0	AQCXX-24.2	24.2	AQN-0.5
10.0	2.0	AQCXX-25.2	25.2	AQN-0.5
10.0	3.0	AQCXX-26.2	26.2	AQN-2.5
10.0	4.0	AQCXX-27.2	27.2	AQN-2.5

Cap is available in black (09) or transparent (11).



Dimension H is the overall height of the switch+cap.



Bushing AQN-0.5 accepts panel thickness (P) 0.5-2.5 mm.

Bushing AQN-2.5 accepts panel thickness (P) 2.5-4.0 mm.

Panel cut out  $\varnothing$  12.0  $\pm$ 0.2

### HOW TO ORDER

<b>3 F</b>	<input type="checkbox"/>	<input type="checkbox"/>	+	<b>AQN</b>	-	<input type="checkbox"/>	+	<b>AQC</b>	<input type="checkbox"/>	-	<input type="checkbox"/>	+	<b>AQB01</b>	<input type="checkbox"/>
<b>Switch</b>	<b>Mounting</b>	<b>L 6</b> low temp.		<b>Bushing</b>		<b>Panel:</b>		<b>Cap:</b>			<b>Overall height</b>		<b>Sealing Boot, incl. sealing ring</b>	
	<b>T</b> through-hole <b>S</b> surface mount	<b>H 9</b> high temp.				0.5 0.5-2.5 mm 2.5 2.5-4.0 mm		transparent 1 1			24.2 25.2 26.2 27.2		Black 0 9 Transparent 1 1	

<b>3 F</b>	<input type="checkbox"/>	<input type="checkbox"/>		<input type="checkbox"/>	+	<b>AQN</b>	-	<input type="checkbox"/>	+	<b>AQC</b>	<input type="checkbox"/>	-	<input type="checkbox"/>	+	<b>AQB01</b>	<input type="checkbox"/>
<b>Switch</b>	<b>Mounting</b>	<b>L 6</b> low temp.		<b>LED</b>		<b>Bushing</b>		<b>Panel:</b>		<b>Cap:</b>			<b>Overall height</b>		<b>Sealing Boot, incl. sealing ring</b>	
	<b>T</b> through-hole	<b>H 9</b> high temp.		<b>00</b> blue <b>20</b> green <b>40</b> yellow <b>80</b> red <b>2040</b> green/yellow <b>8020</b> red/green <b>8040</b> red/yellow		0.5 0.5-2.5 mm 2.5 2.5-4.0 mm		transparent 1 1				24.2 25.2 26.2 27.2		Transparent 1 1		

**Ordering example:** AQB0109+AQC09-27.2+AQN-2.5+3FTL6