

10 9 8 7 6 5 4 3 2 1

F

E

D

C

B

A

F

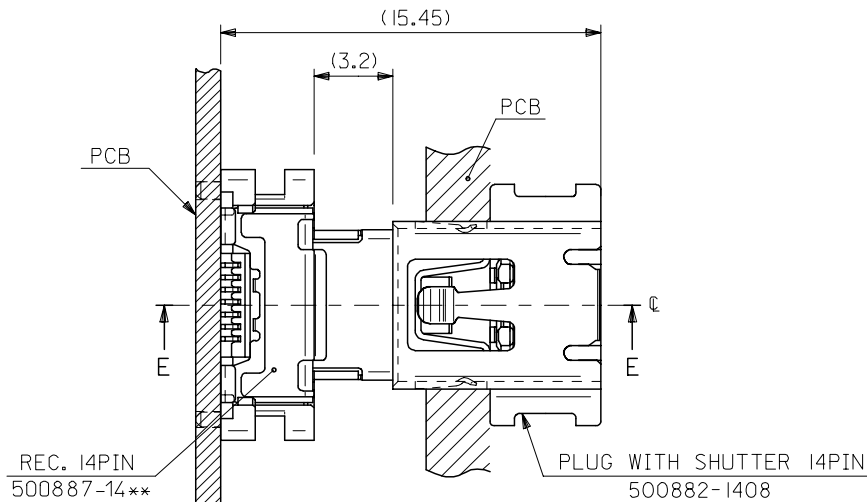
E

D

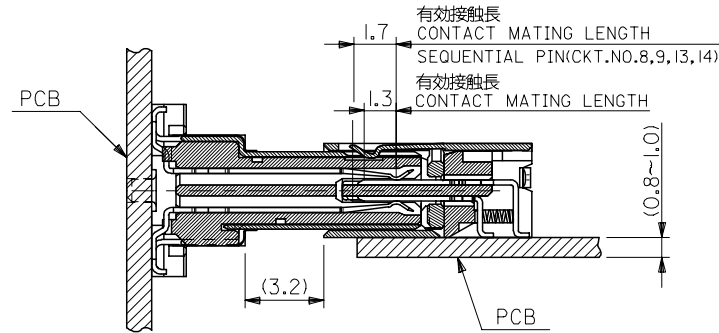
C

B

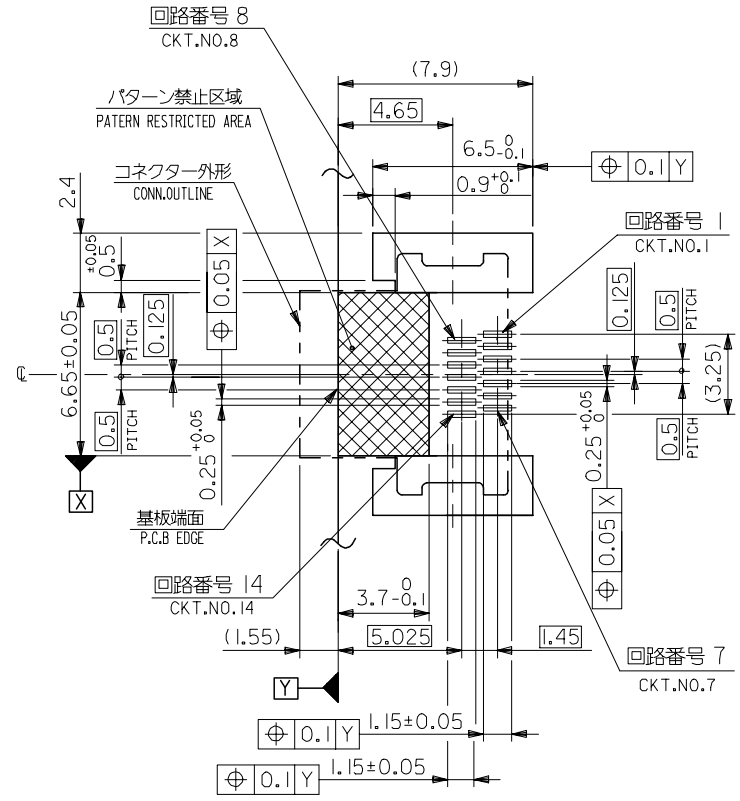
A



嵌合図
MATED CONNECTORS
リセ側：ストレートタイプ
REC. SIDE : STRAIGHT TYPE



SECTION E-E



基板穴推奨寸法 (部品実装側)
RECOMMENDED P.C.B LAYOUT (MOUNTING SIDE)

REVISED	DESCRIPTION
EC NO: J2006-2010	
DRW: MABE	2005/12/16
CHK: KTOYODA	2005/12/19
APP: NUKITA	2005/12/21

GENERAL TOLERANCES (UNLESS SPECIFIED)	
10 UNDER	±0.2
10 OVER 30 UNDER	±0.25
30 OVER	±0.3
ANGULAR	±3 °
DRAFT WHERE APPLICABLE MUST REMAIN WITHIN DIMENSIONS	

DIMENSION STYLE	
MM ONLY	
DRAWN BY	DATE
M.UMEDA	2004/10/26
CHECKED BY	DATE
K.TOYODA	2004/10/26
APPROVED BY	DATE
N.UKITA	2004/10/26
MATERIAL NO.	
SEE CHART	
SIZE	
A3	

500882-14*8		MODEL NO.
DESIGN UNITS	THIRD ANGLE PROJECTION	
METRIC		
0.5 I/O CONN. WITH SHUTTER 14CKT. -LEAD FREE-		
MOLEX INCORPORATED		
MATERIAL NO.	DOCUMENT NO.	SHEET NO.
SEE CHART	SD-500882-001	2 OF 2
THIS DRAWING CONTAINS INFORMATION THAT IS PROPRIETARY TO MOLEX INCORPORATED AND SHOULD NOT BE USED WITHOUT WRITTEN PERMISSION		

9

8

7

6

5

4

3

2