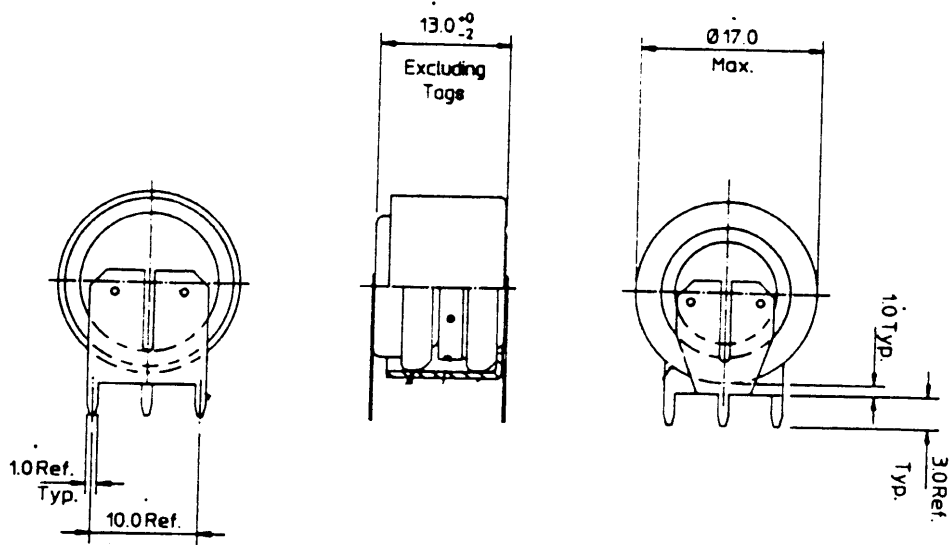


SPECIFICATION



ORDER NUMBER	-----	279328
BATTERY TYPE	-----	2/V60H
SYSTEM	-----	RECHARGEABLE NIMH
NOMINAL VOLTAGE	-----	2.4 V
TYPICAL CAPACITY 0.2CA	-----	70mAh
TYPICAL CAPACITY 1.0CA	-----	40mAh
WEIGHT APPROX.	-----	8 g
CHARGE CURRENT/TIME	-----	6mA/14-16h
ACCELERATED CHARGE RATE/TIME	-----	30mA/3h 20 C AFTER FULL DISCHARGE
TRICKLE CHARGE RECOMMENDED	-----	0.03CA (1.8mA)
MAX. CONT. OVERCHARGE	-----	6.0 mAh AT 20 C
SERVICE LIFE CYCLIC	-----	1000 CYCLES (IEC 509)
SERVICE LIFE TRICKLE CHARGE CONT	-----	UP TO 6 YEARS AT 20 C UP TO 3 YEARS AT 45 C

<u>TEMPERATURE RANGE</u>	<u>RECOMMENDED</u>	<u>PERMISSABLE</u>
CHARGE	+10 TO +35 C	0 TO +60 C
DISCHARGE	0 TO +45 C	-20 TO +65 C
STORAGE	-40 TO +45 C	-40 TO +65 C