

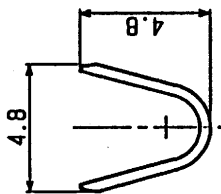
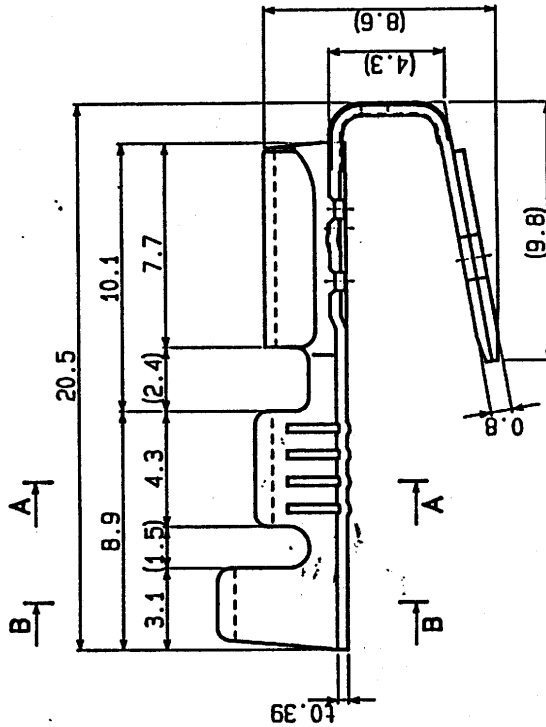
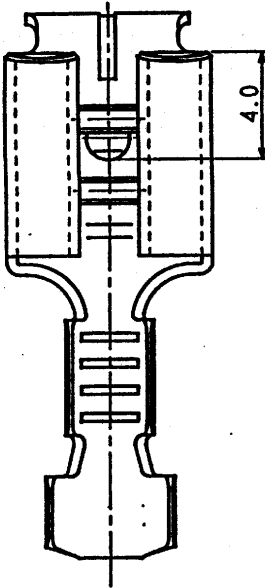
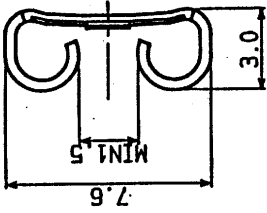
J.S.T. (U.K.) LTD.

13 MAY 2002

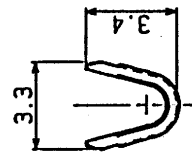
TECH-SALES
SUPPORT

NOTE

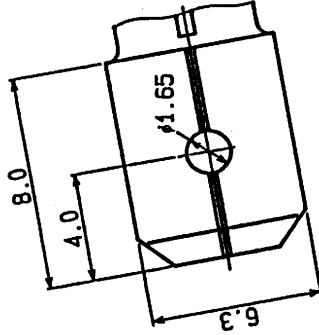
- 1. Dimensions are in MM
- 2. General tolerances
 - 0 - 3.0 :±0.2
 - 3.1 - 9.0 :±0.3
 - 9.1 - :±0.5



B-B SEC.



A-A SEC.



C VIEW

UNCONTROLLED ISSUE

TERMINAL		BRASS		TIN-PLATED		REVISIONS	
NO.	NAME	MATERIAL	SCALE	PROJECTION	DATE	PART NO.	PART NAME
		J. S. T.	E.0	3rd	DEC, 25 1991	SPB-1, 0T-250N-S	
APPROVED BY	CHECKED BY	DRAWN BY	SCALE	PROJECTION	DATE	DRAWING NO.	PART NAME
MH	KM		E.0	3rd	DEC, 25 1991	KRD-14442	

THIS DRAWING/DOCUMENT IS THE PROPERTY OF J.S.T. (U.K.) LTD. IT MUST NOT BE COPIED OR USED FOR MANUFACTURE WITHOUT WRITTEN PERMISSION FROM J.S.T. (U.K.) LTD.

THIS DRAWING CONTAINS INFORMATION THAT IS PROPRIETARY TO JST AND SHOULD NOT BE USED WITHOUT WRITTEN PERMISSION.