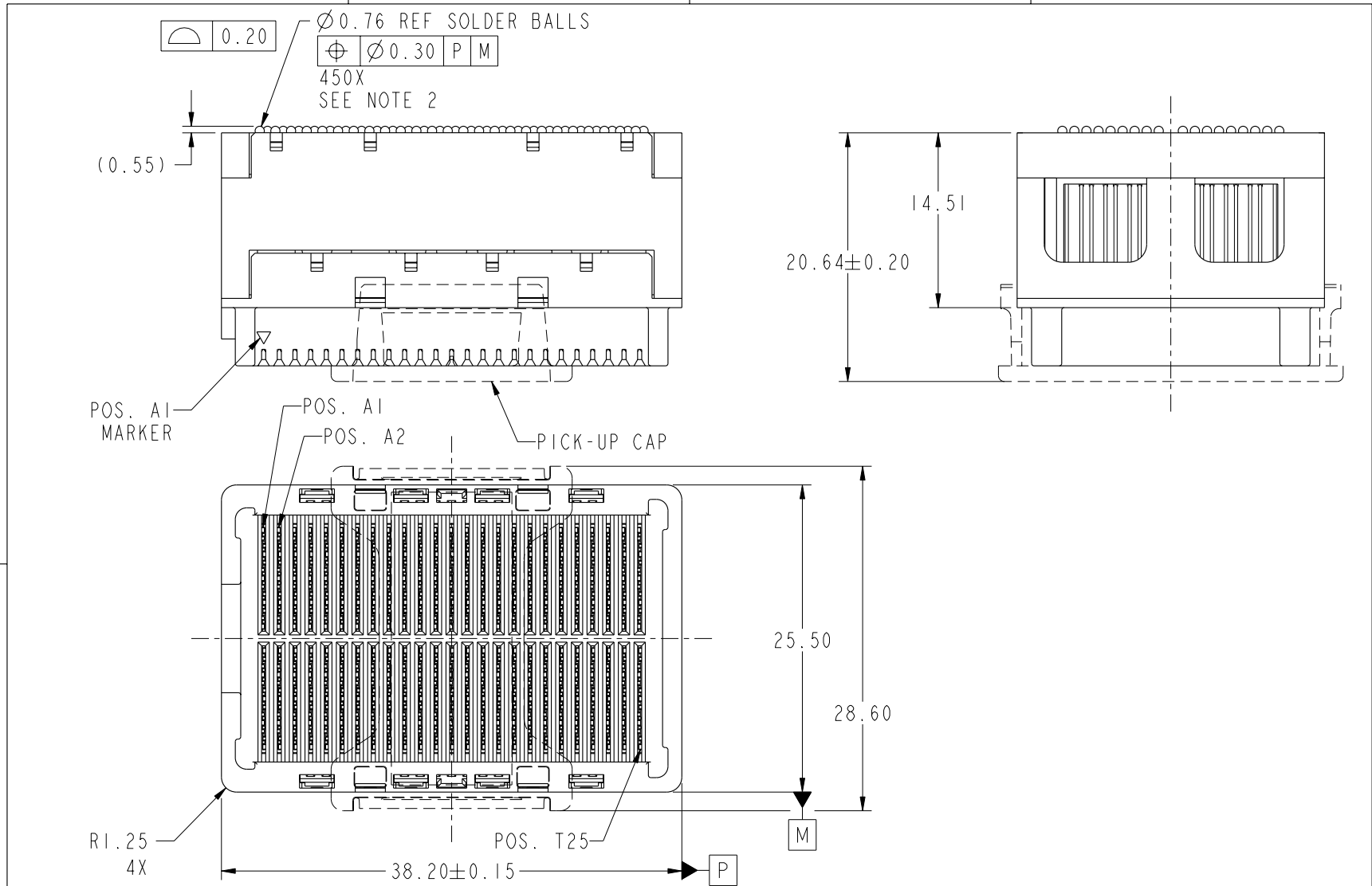


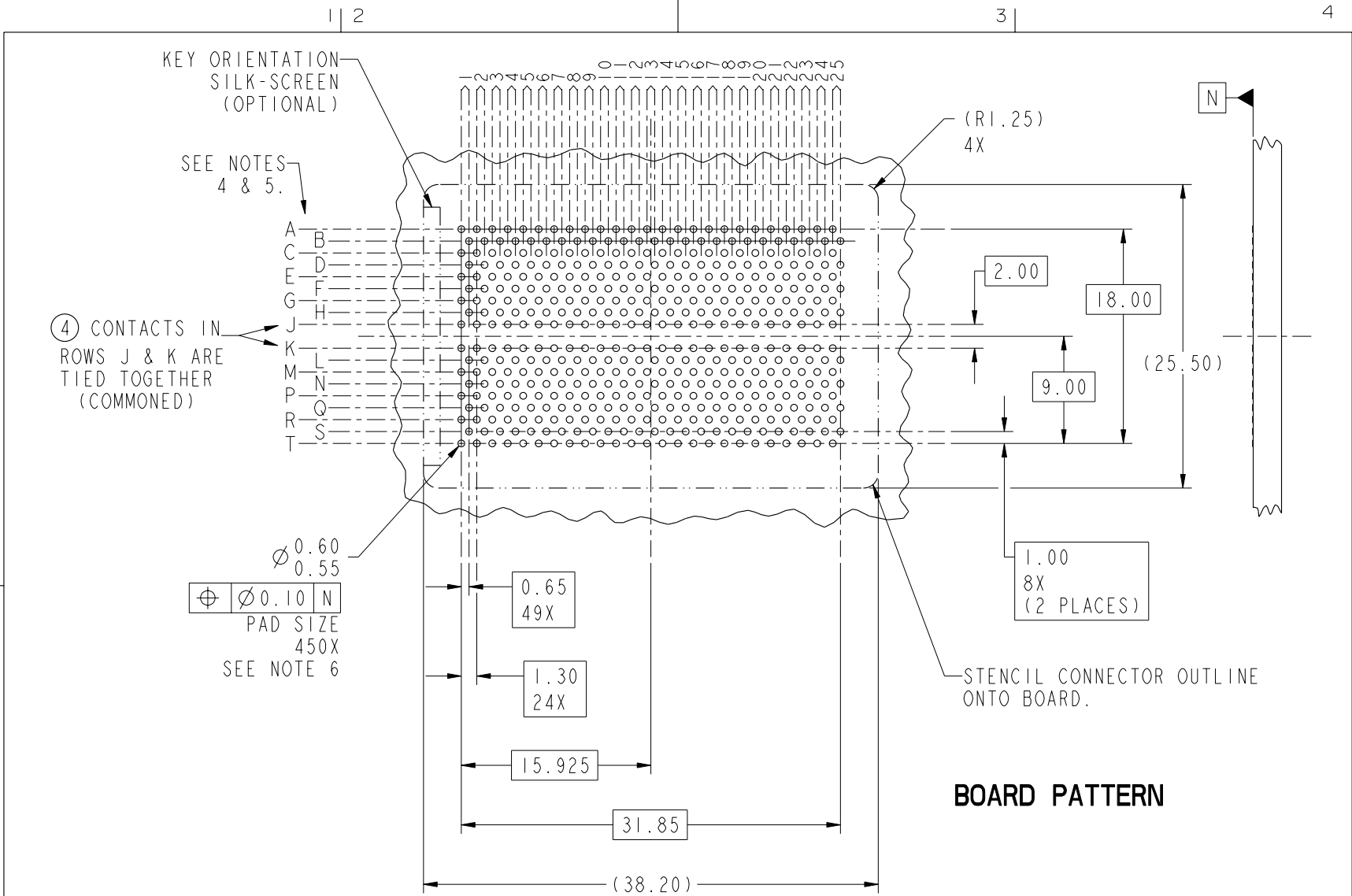


This document is the property of and embodies CONFIDENTIAL and PROPRIETARY information of FCI. No part of the information shown on this document may be used in any way or disclosed to others without the written consent of FCI. Copyright FCI.



mat'l code				SEE NOTE 1		tolerances unless otherwise specified		CUSTOMER		FCI www.fciconnect.com	
ltr	ecn no.	dr	date	linear	0.X ± 0.3		COPY		title GIG-Array 15mm RECP. ASSY. 200 SIG. POS.		
A	V06-0240	DAI	03/13/06		0.XX ± 0.10		projection				
B	V06-0435	LP	2006/05/08	angles	0.XXX ± 0.050		MM ← →		product family GIG-Array code 213		
C	V06-0558	LP	2006/06/21		0° ± 2°						
D	V07-0469	LP	2007/07/13	dr	R. JOHNSON	9/16/02	scale 2:1		size A dwg no 55741 sheet 1 of 4		
				enrg	D. JOHNESCU	9/16/02					
				chr	D. JOHNESCU	9/16/02					
				appd	D. JOHNESCU	9/16/02					
sheet index	revision sheet	D	D	D	D	D	D				
		1	2	3	4						

This document is the property of and embodies
 CONFIDENTIAL and PROPRIETARY information of FCI.
 No part of the information shown on this
 document may be used in any way or disclosed
 to others without the written consent of FCI.
 Copyright FCI.



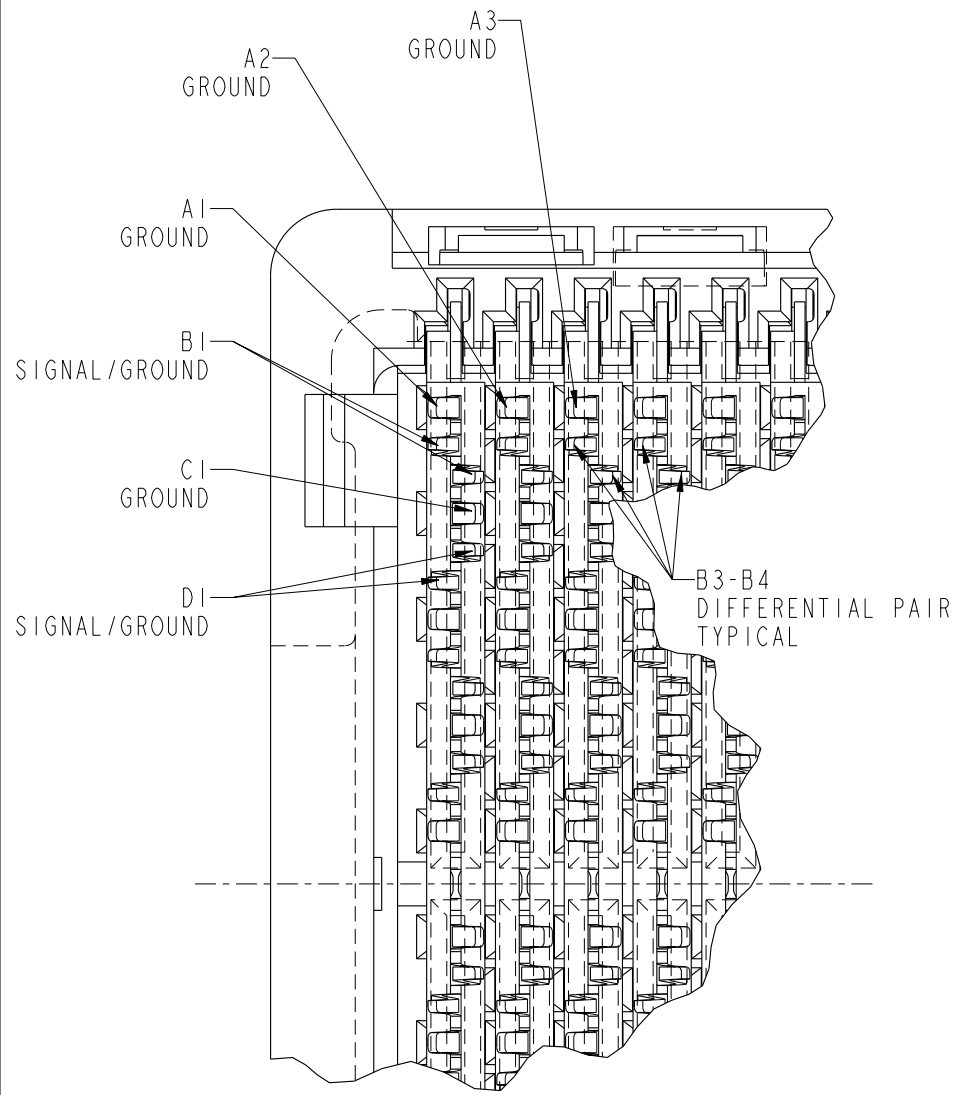
$\varnothing 0.60$
 $\varnothing 0.55$

\varnothing	$\varnothing 0.10$	N
---------------	--------------------	---

 PAD SIZE
 450X
 SEE NOTE 6

BOARD PATTERN

mat'l code				SEE NOTE 1		tolerances unless otherwise specified		CUSTOMER		www.fciconnect.com	
ltr	ecr no.	dr	date	linear	0.X ±0.3		COPY			title	
D					0.XX ±0.10		MM			GIG-Array	
					0.XXX ±0.050		← MM →			15mm RECP. ASSY. 200 SIG. POS.	
				angles	0° ±2°		scale		product family		
				dr	R. JOHNSON	9/16/02	2:1		GIG-Array		
				enr	D. JOHNESCU	9/16/02			code		
				chr	D. JOHNESCU	9/16/02			size		
				appd	D. JOHNESCU	9/16/02			dwg no		
sheet index		revision sheet						A		55741	
										sheet 2	



NOTES:

- ①. MATERIAL:
HOUSING: LCP
CONTACT: COPPER ALLOY
PLATING (CONTACT): Au OVER Ni.
UL RATING: 94 V-0
SOLDER BALL: (SEE TABLE) EUTECTIC SnPb OR LEAD FREE 95.5 Sn/4Ag/0.5Cu.
- ②. SOLDER BALLS WILL NOT BE PERFECT SPHERICAL SHAPE DUE TO REFLOW ATTACHMENT.
- ③. MATED HEIGHT EFFECTED BY CUSTOMERS' PCB PAD SIZE, PLATING, SOLDER REFLOW PROFILE & SOLDER PASTE.
- ④. CONTACTS IN ROWS A,C,E,G,J,K,M,P,R AND T ARE SINGLE BEAM CONTACTS, USED AS GROUND PINS.
(NOTE: CONTACTS IN ROWS J & K ARE TIED TOGETHER [COMMONED])
- ⑤. CONTACTS IN ROWS B,D,F,H,L,N,Q AND S ARE DUAL BEAM CONTACTS, TYPICALLY USED AS SIGNAL PINS.



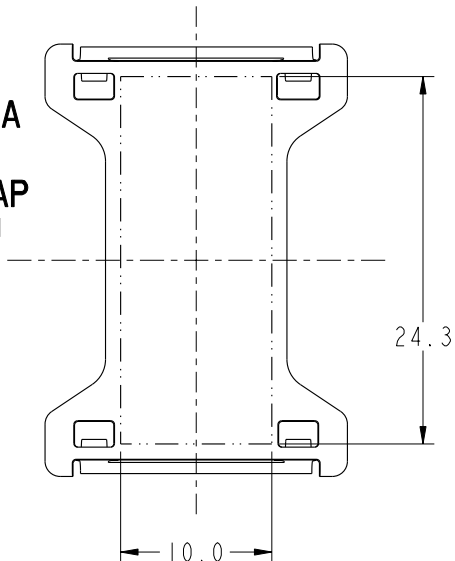
This document is the property of and embodies CONFIDENTIAL and PROPRIETARY information of FCI. No part of the information shown on this document may be used in any way or disclosed to others without the written consent of FCI. Copyright FCI.

RECEPTACLE INTERFACE DESCRIPTION

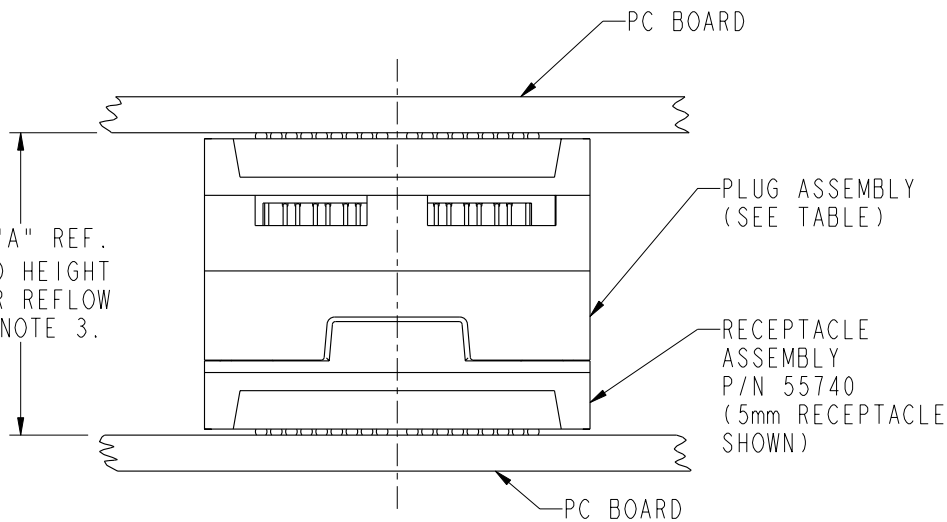
mat'l code		SEE NOTE 1		tolerances unless otherwise specified		CUSTOMER		www.fciconnect.com	
ltr	ecn no.	dr	date	linear	0.X ±0.3	COPY		title	
D				linear	0.XX ±0.10	projection		GIG-Array	
				angles	0.XXX ±0.050			15mm RECP. ASSY. 200 SIG. POS.	
				dr	0° ±2°			product family	
				enr	R. JOHNSON 9/16/02	MM		GIG-Array	
				chr	D. JOHNESCU 9/16/02	7:1		code	
				appd	D. JOHNESCU 9/16/02	A		213	
sheet index	revision sheet							sheet	
								3	

PRODUCT NUMBER	SOLDER BALL
55741-001	SnPb
55741-001LF	SnAgCu LEAD FREE ⑦⑧

FLAT AREA FOR PICK-UP CAP
SCALE 2:1



DIM "A" REF. MATED HEIGHT AFTER REFLOW
SEE NOTE 3.



END VIEW OF MATED CONNECTORS
SCALE 2:1

DIM. "A"	PLUG ASSEMBLY P/N
25	55737
27	10026802
28	10055142
30	55738
35	55739

NOTES:

⑥ SPECIFIED POSITIONAL TOLERANCE DEFINES PAD TO PAD LOCATION WITHIN LAND PATTERN. POSITIONAL TOLERANCE OF LAND PATTERN TO FUDICIAL MARKS OR PCB DATUMS SHALL BE DEFINED BY CUSTOMER. FOR RECOMMENDED PRODUCT APPLICATION AND PCB DESIGN DETAILS, SEE DOC. NO. GS-20-016.

⑦ FOR PROPER APPLICATION FOLLOW FCI APPLICATION SPECIFICATION GS-20-033. LEAD FREE SOLDER BALLS WILL NOT SOLDER PROPERLY IN A LEADED SOLDER PROCESS DUE TO A HIGHER REFLOW TEMPERATURE. LEADFREE PRODUCT IS THEREFORE NOT BACKWARDS COMPATIBLE WITH LEADED OR SOME SOLDERING APPLICATIONS. REFERENCE FCI APPLICATION SPECIFICATION.

⑧ THIS PRODUCT MEETS THE EUROPEAN UNION DIRECTIVES AND OTHER COUNTRY REGULATIONS AS DESCRIBED IN GS-22-008. PRODUCT MEETING THIS DIRECTIVE IS IDENTIFIED IN THE CODE NUMBER MARKED ON EACH PART BY HAVING AN "X" IN THE SEVENTH CHARACTER POSTION.

mat'l code				SEE NOTE 1		tolerances unless otherwise specified		CUSTOMER		FCI www.fciconnect.com	
ltr	ecr no.	dr	date	linear	0.X ±0.3		COPY		projection	title	
D					0.XX ±0.10		MM			GIG-Array	
					0.XXX ±0.050		← MM →			15mm RECP. ASSY. 200 SIG. POS.	
				angles	0° ±2°		scale		product family		
				dr	R. JOHNSON	9/16/02	2:1		GIG-Array		
				enr	D. HARPER	9/16/02	A		code		
				chr	D. JOHNESCU	9/16/02			size		
				appd	D. JOHNESCU	9/16/02			dwg no		
sheet index		revision sheet						A		55741	
										213	
										sheet	
										4	

This document is the property of and embodies CONFIDENTIAL and PROPRIETARY information of FCI. No part of the information shown on this document may be used in any way or disclosed to others without the written consent of FCI. Copyright FCI.