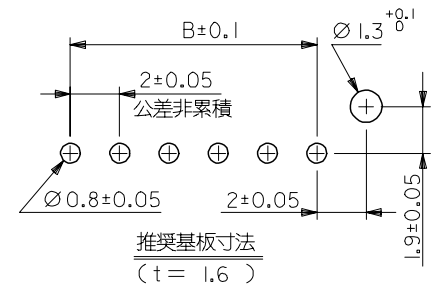
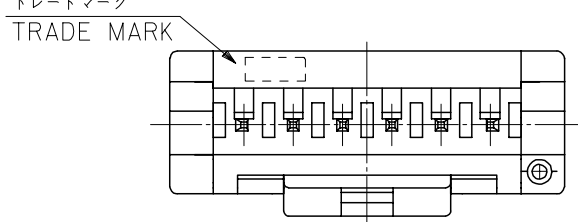
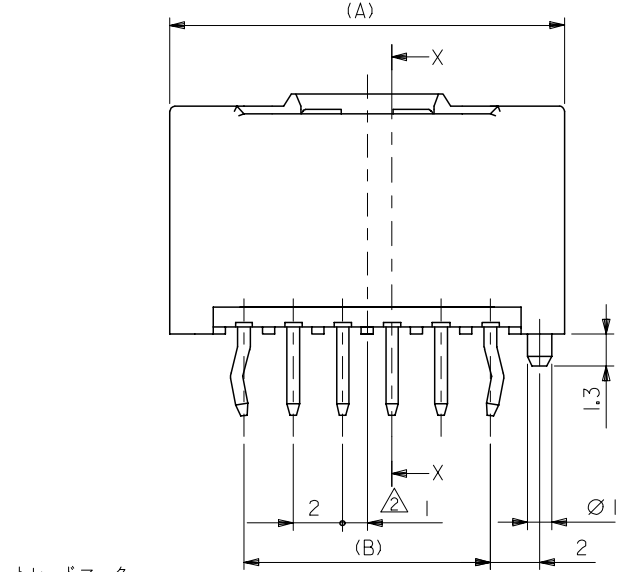
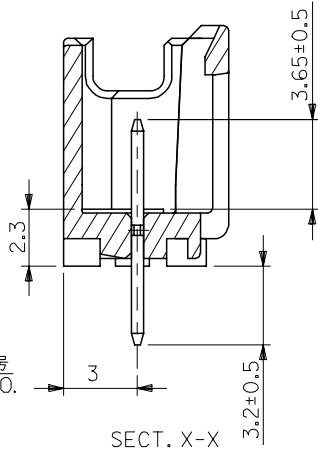
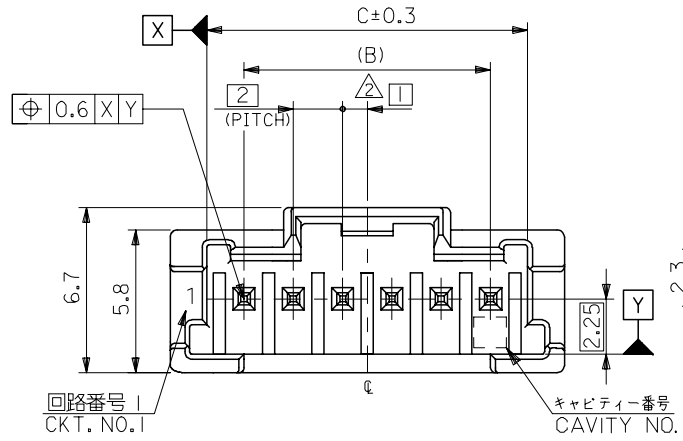


10 9 8 7 6 5 4 3 2 1



NOTE
 1. 嵌合相手: 51382シリーズ
 2. 偶数極(列)に適用。
 3. キングは両外側の位置に付加。
 4. 製品番号 MATERIAL NO.

55932-****

極数 CIRCUIT SIZE | 色 COLOR

| | |
|----|----------------------------|
| 10 | 自然色(白) NATURAL(WHITE) |
| 11 | 黒 BLACK |
| 12 | 赤 RED |
| 13 | 黄 YELLOW |
| 14 | 青 BLUE |
| 15 | 桃 PINK |
| 16 | 緑 GREEN |
| 17 | 茶 BROWN |
| 18 | 橙 ORANGE |
| 19 | 紫 VIOLET |
| 41 | 灰 GRAY |
| 43 | 蛍光黄 FLUORESCENCE YELLOW |
| 44 | 水 PALE BLUE |
| 46 | 黄緑 YELLOWISH GREEN |

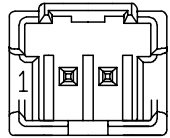
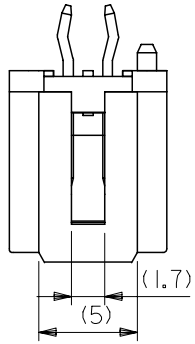
| | | | | |
|----|----|----|--------------|------|
| 31 | 28 | 34 | 55932-15** | 15 |
| 29 | 26 | 32 | 55932-14** | 14 |
| 27 | 24 | 30 | 55932-13** | 13 |
| 25 | 22 | 28 | 55932-12** | 12 |
| 23 | 20 | 26 | 55932-11** | 11 |
| 21 | 18 | 24 | 55932-10** | 10 |
| 19 | 16 | 22 | 55932-09** | 9 |
| 17 | 14 | 20 | 55932-08** | 8 |
| 15 | 12 | 18 | 55932-07** | 7 |
| 13 | 10 | 16 | 55932-06** | 6 |
| 11 | 8 | 14 | 55932-05** | 5 |
| 9 | 6 | 12 | 55932-04** | 4 |
| 7 | 4 | 10 | 55932-03** | 3 |
| 5 | 2 | 8 | 55932-02** | 2 |
| C | B | A | MATERIAL NO. | CKT. |

MODEL NO.: 55932-****

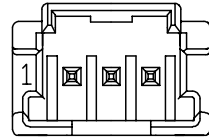
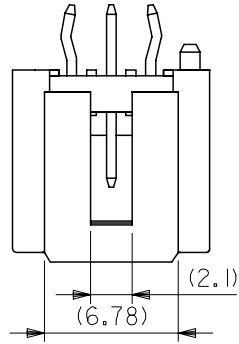
| | | | | | | | |
|--|---------------------------------------|-----------------------------|----------------------------|---|---|------------------------|------------------------|
| REVISED EC No: J2005-3098 2005/04/15 DRWN: NABEI 2005/04/18 CHKD: KTOJO 2005/04/21 APPR: NUKITA | GENERAL TOLERANCES (UNLESS SPECIFIED) | | DIMENSION STYLE MM ONLY | | SCALE --- | DESIGN UNITS METRIC | THIRD ANGLE PROJECTION |
| | 10 UNDER ±0.2 | | DRAWN BY T. NIITSU | | TITLE 2.0 W/B SINGLE CONN. PLUG HOUSING ASS'Y ST -LEAD FREE- | | |
| | 10 OVER 30 UNDER ±0.25 | | DATE '02/02/08 | | MATERIAL NO. SEE CHART | | |
| | 30 OVER ±0.3 | | CHECKED BY K. ASAKAWA | | DOCUMENT NO. SD-55932-002 | | |
| | ANGULAR ±3 ° | | DATE '03/06/12 | | SHEET NO. 1 OF 2 | | |
| DRAFT WHERE APPLICABLE MUST REMAIN WITHIN DIMENSIONS | | APPROVED BY T. YAMAGUCHI | | THIS DRAWING CONTAINS INFORMATION THAT IS PROPRIETARY TO MOLEX INCORPORATED AND SHOULD NOT BE USED WITHOUT WRITTEN PERMISSION | | | |

MATERIAL
 ピン : 黄銅、錫メッキ
 ハウジング : PBT

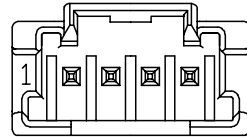
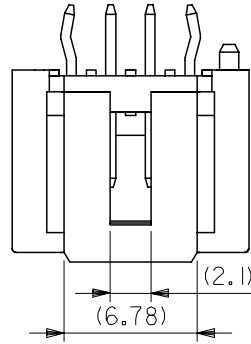
10 9 8 7 6 5 4 3 2 1



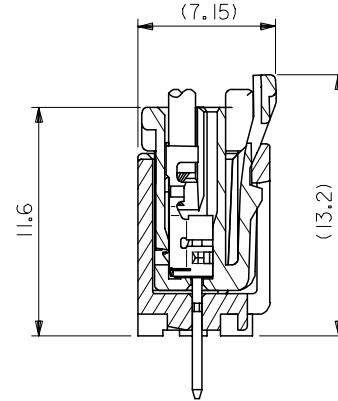
2 CIRCUIT



3 CIRCUIT



4 CIRCUIT 以上



嵌合断面図

MODEL NO. : 55932-****

| | | | | | | | | |
|---|---------------------------------------|--|-----------------------------|-------------------|---|------------------------|------------------------|--|
| REVISED EC NO: J2005-3098 DRAWN: NABEI 2005/04/15 CHKD: KTOJO 2005/04/18 APPR: NUKITA 2005/04/21 G | GENERAL TOLERANCES (UNLESS SPECIFIED) | | DIMENSION STYLE MM ONLY | | SCALE --- | DESIGN UNITS METRIC | THIRD ANGLE PROJECTION | |
| | 10 UNDER | ±0.2 | DRAWN BY T. NIITSU | DATE '02/02/08 | TITLE 2.0 W/B SINGLE CONN. PLUG HOUSING ASS'Y ST -LEAD FREE- | | | |
| | 10 OVER 30 UNDER | ±0.25 | CHECKED BY K. ASAKAWA | DATE '03/06/12 | MOLEX INCORPORATED | | | |
| | 30 OVER | ±0.3 | APPROVED BY T. YAMAGUCHI | DATE '03/06/12 | DOCUMENT NO. SD-55932-002 | | SHEET NO. 2 OF 2 | |
| | ANGULAR ±3 ° | | MATERIAL NO. SEE CHART | | | | | |
| DRAFT WHERE APPLICABLE MUST REMAIN WITHIN DIMENSIONS | | THIS DRAWING CONTAINS INFORMATION THAT IS PROPRIETARY TO MOLEX INCORPORATED AND SHOULD NOT BE USED WITHOUT WRITTEN PERMISSION | | | | | | |