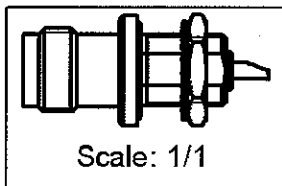
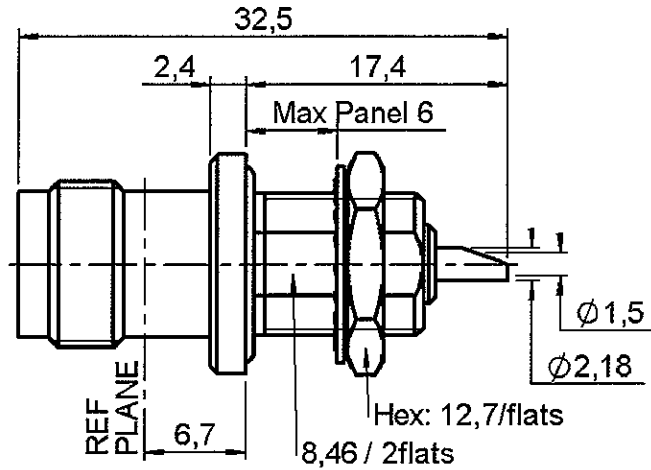


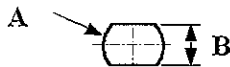
**BULKHEAD JACK RECEPTACLE FRONT MOUNTING  
COMBINATION SEAL WITH SOLDER POT CONTACT**

**R143.603.000**

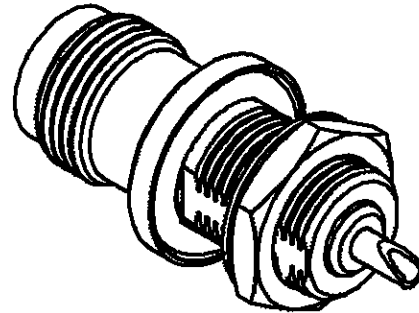
Series : TNC



**PANEL CUT OUT**



	mm	
	Maxi	mini
A	9.75	9.65
B	8.65	8.55



All dimensions are in mm.



COMPONENTS	MATERIALS	PLATINGS (µm)
BODY	BRASS	NICKEL 2
CENTER CONTACT	BERYLLIUM COPPER	GOLD 0.5 OVER NICKEL 2
OUTER CONTACT	-	-
INSULATOR	PTFE	-
GASKET	SILICONE RUBBER	-
OTHERS PARTS	BRASS	NICKEL 2
-	-	-
-	-	-

Issue : 0550 P

In the effort to improve our products, we reserve the right to make changes judged to be necessary.



**BULKHEAD JACK RECEPTACLE FRONT MOUNTING  
COMBINATION SEAL WITH SOLDER POT CONTACT**

**R143.603.000**

Series : TNC

**PACKAGING**

Standard	Unit	Other
1	-	Contact us

**SPECIFICATION**

**ELECTRICAL CHARACTERISTICS**

Impedance		<b>50</b> Ω
Frequency		<b>0-11</b> GHz
VSWR	* +	<b>0,0000</b> x F(GHz) Maxi
Insertion loss		<b>0.15</b> √F(GHz) dB Maxi
RF leakage	- (	<b>57</b> - F(GHz)) dB Maxi
Voltage rating		<b>500</b> Veff Maxi
Dielectric withstanding voltage		<b>1500</b> Veff mini
Insulation resistance		<b>5000</b> MΩ mini

**ENVIRONMENTAL**

Operating temperature	<b>-65/+165</b> °C
Hermetic seal	<b>NA</b> Atm.cm <sup>3</sup> /s
Panel leakage	<b>IP67</b>

**OTHERS CHARACTERISTICS**

Assembly instruction **NA**

Others :

- \* Coaxial Transmission Line Only
- \*1.2 --->0-5 GHz
- \*1.5 --->5-11GHz

**MECHANICAL CHARACTERISTICS**

Center contact retention		
Axial force – Mating end	<b>18</b>	N mini
Axial force – Opposite end	<b>18</b>	N mini
Torque	<b>2.8</b>	N.cm mini
Recommended torque		
Mating	<b>NA</b>	N.cm
Panel nut	<b>250</b>	N.cm
Mating life	<b>500</b>	Cycles mini
Weight	<b>11,0000</b>	g

Issue : 0550 P

In the effort to improve our products, we reserve the right to make changes judged to be necessary.

