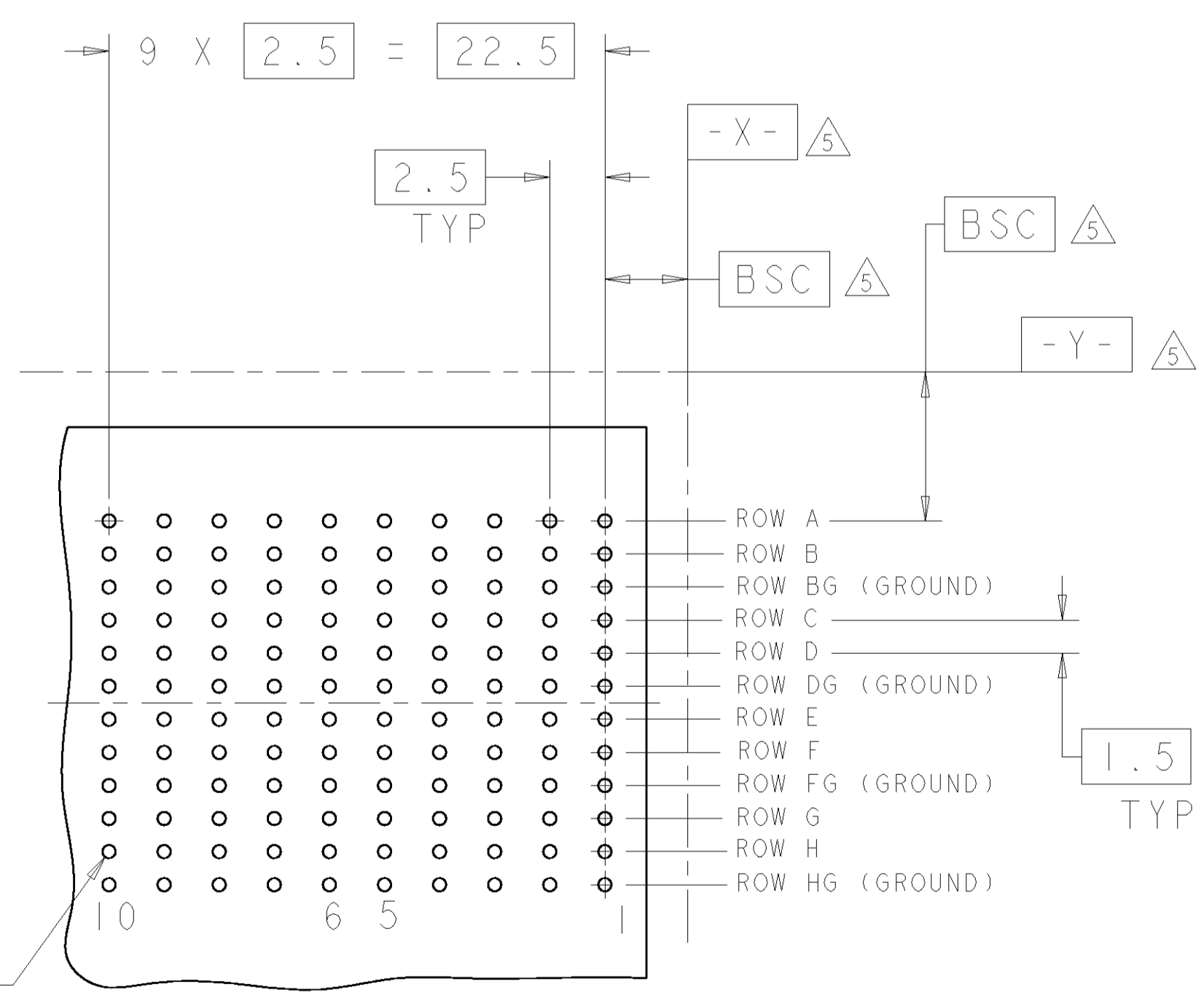
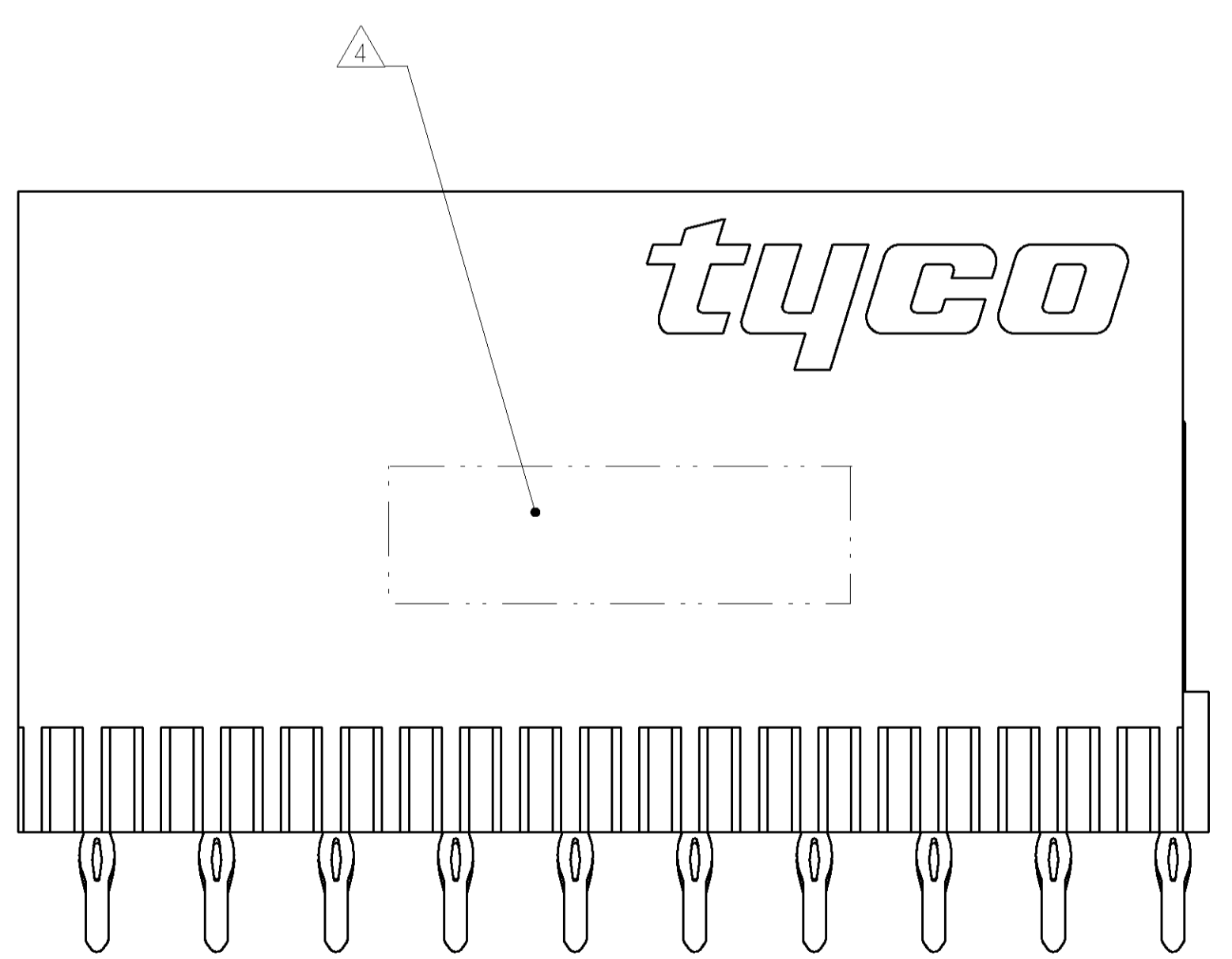
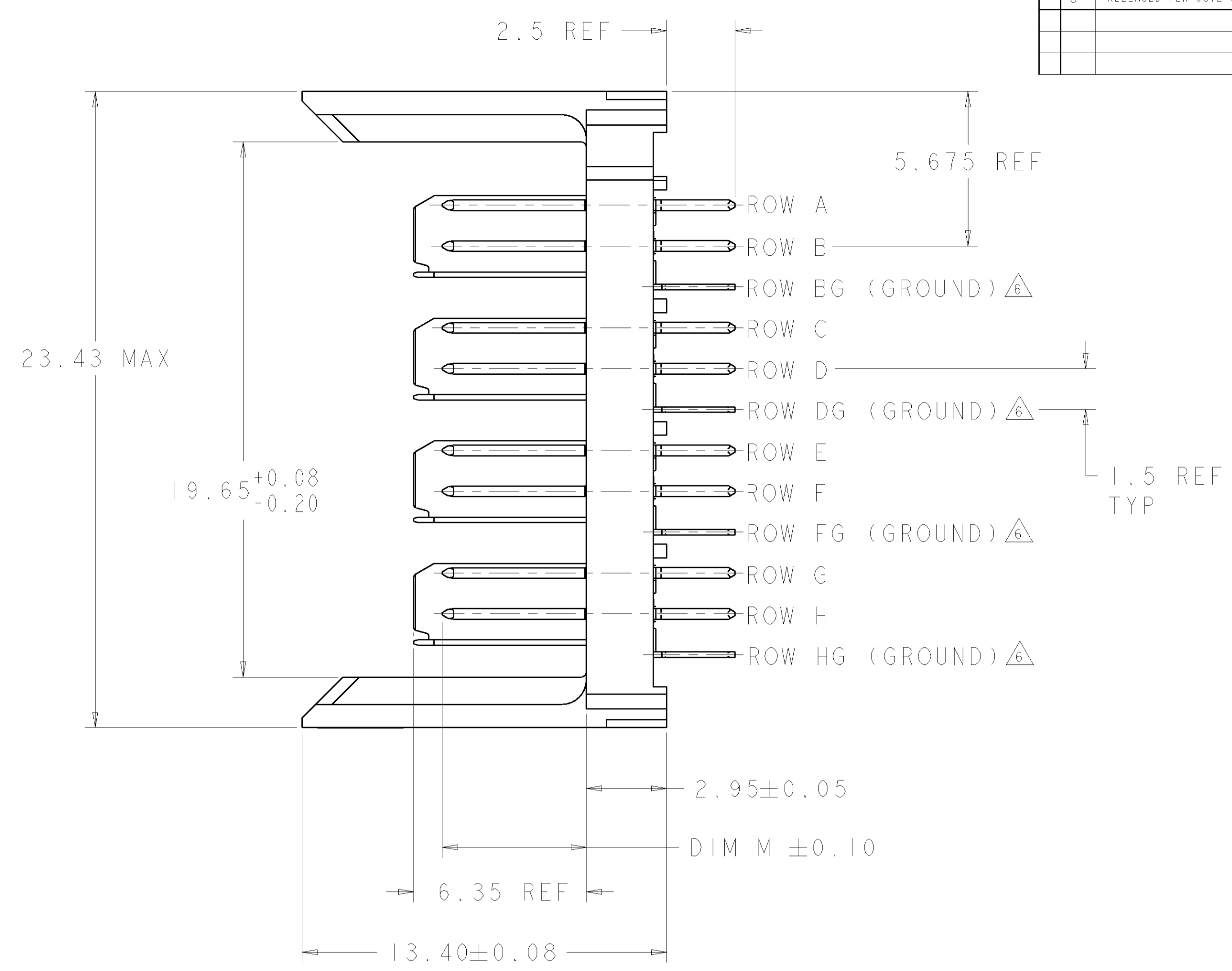
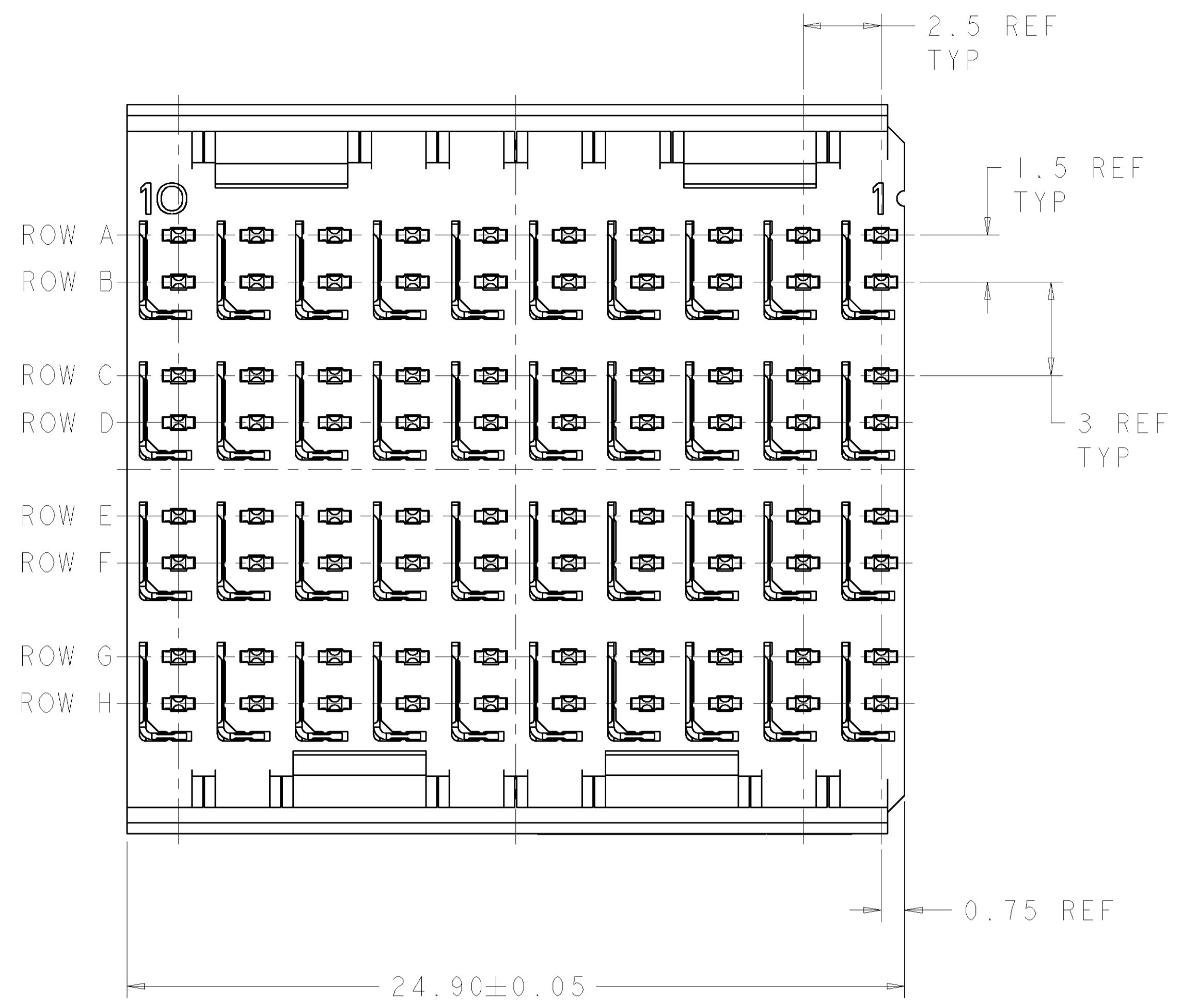


LOC		DIST		REVISIONS			
AD	00	P	LTR	DESCRIPTION	DATE	DWN	APVD
		0		RELEASED PER 0512-0324-04	17JUN2004	SJM	RAP



- ⚠ REFERENCE APPLICATION SPEC 114-13059 FOR RECOMMENDED PLATED THRU HOLE DIAMETER AND PLATING THICKNESSES.
- ⚡ MATERIAL:
CONTACT AND SHIELD - PHOSPHOR BRONZE
HOUSING - GLASS FILLED POLYESTER
- ⚡ FINISH: CONTACT AND SHIELD
MATING AREA - 0.76µm MIN GOLD OVER 1.27µm MIN NICKEL
COMPLIANT PIN AREA - 0.5µm MIN TIN OVER 1.27µm MIN NICKEL
- ⚡ CONNECTOR MARKED WITH PART NUMBER AND DATE CODE.
- ⚡ DATUMS AND BASIC DIMENSIONS ESTABLISHED BY CUSTOMER.
- ⚡ THE FOUR GROUNDS IN EACH COLUMN ARE COMMONED.
- 7. CONTACT AREA LUBRICATED WITH BELLCORE APPROVED LUBRICANT. TECHNICAL REFERENCE: GR-1217-CORE, ISSUE 1, NOVEMBER 1995.

⚠ ⌀0.05 Ⓧ Y
ALL PLATED THRU HOLES

RECOMMENDED PC BOARD LAYOUT, BACKPLANE, COMPONENT SIDE SHOWN
SCALE 4:1

3.80	6469002-2
5.30	6469002-1
DIM M	PART NUMBER

<small>THIS DRAWING IS UNPUBLISHED. RELEASED FOR PUBLICATION 2004 BY TYCO ELECTRONICS CORPORATION. ALL RIGHTS RESERVED.</small>		DWN: S. J. MAGARO 17JUN2004 CHK: R. A. PATTERSON 17JUN2004 APVD:	tyco Tyco Electronics Harrisburg, PA 17105-3608
DIMENSIONS: mm: 0 PLC ± 1 PLC ± 2 PLC ± 3 PLC ± 4 PLC ± ANGLES ±	TOLERANCES UNLESS OTHERWISE SPECIFIED: 0 PLC ± 1 PLC ± 2 PLC ± 3 PLC ± 4 PLC ± ANGLES ±	PRODUCT SPEC APPLICATION SPEC WEIGHT CUSTOMER DRAWING	NAME: HEADER ASSEMBLY, 4 PAIR, 2.5mm TAIL, 25mm HMZd SIZE: A1 CAGE CODE: 00779 DRAWING NO: 6469002 SCALE: 3:1 SHEET 1 OF 1 REV 0