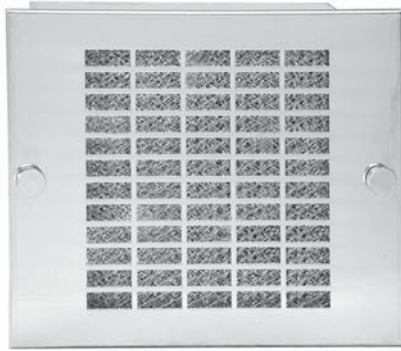


Filtered Fan Boxes and Filter Grills



Filtered Fan Box



Filter Grill

Description

- In a typical cooling arrangement, the filtered fan box pulls air into the enclosures and the filter grill is used as an air outlet.
- The washable aluminum filter grill and the air filter are easily accessible and can be removed for cleaning.
- The filtered fan boxes are available in either 115 VAC or 230 VAC, 50/60 Hz.
- Filtered passive ventilation can be provided by an exhaust filter for either convection cooling or in combination with a fan in forced air cooling.

Standards

- UL recognized, CSA certified, CE approved fans/motors

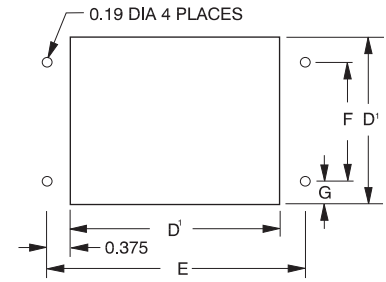
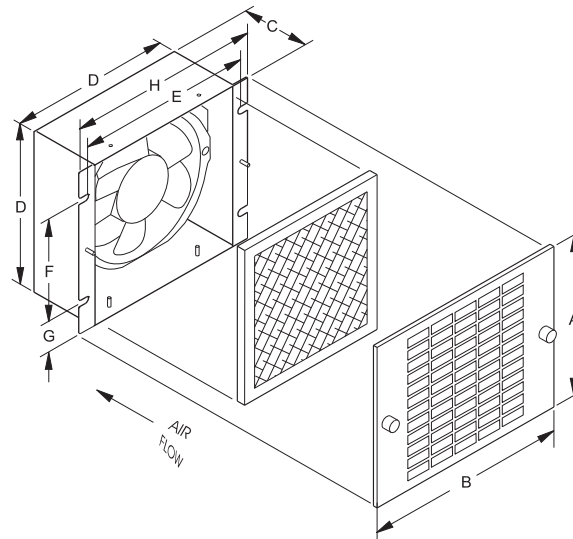
Features

- 115 VAC or 230 VAC, 50/60 Hz.
- 10" lead wires.
- Exceptionally quiet operation.
- Versatile mounting and adaptability.
- Heavy-gauge steel construction.
- Attractive stainless steel grills.
- Shipped with air flow to pressurize. Can be user modified to exhaust.
- Aluminum filter is coated with adhesive baffle surfaces for dust and dirt collection. Can be recoated after cleaning for optimum performance.
- Drilling template included.
- NOTE: One grill and filter are included with each fan package. Normally, an additional exhaust grill and filter are required for each installation and must be ordered separately.

Accessories

- Filter coat...*see page 388*
- Replacement Filter...*see page 388*

Filtered Fan Boxes and Filter Grills



Cutout Detail

Filtered Fan Boxes

Part No.	Free Flow Air Delivery CFM	Volts	RPM Nominal	Running Amps	Watts	A	B	C	D	D ¹	E	F	G	H	Ship Wt. lbs
XF4115	105	115	3000	0.24	22	6.13	7.38	2.38	5.63	5.75	6.5	4.13	0.81	7.0	5
XF4230	105	230	3000	0.13	21	6.13	7.38	2.38	5.63	5.75	6.5	4.13	0.81	7.0	5
XF6115	220	115	3400	0.54	42	7.63	8.88	3.00	7.13	7.25	8.0	4.50	1.34	8.5	6
XF6230	220	230	3400	0.28	46	7.63	8.88	3.00	7.13	7.25	8.0	4.50	1.34	8.5	6
XF10115	550	115	1650	0.24	33	11.63	13.00	4.56	11.13	11.25	12.0	6.88	2.16	12.5	12
XF10230	550	230	1650	0.14	33	11.63	13.00	4.56	11.13	11.25	12.0	6.88	2.16	12.5	12

Exhaust Grill and Filters

Part No	A	B	D	E ¹	F ¹	H ¹
XFG4	6.13	7.38	5.63	6.38	4.13	7.00
XFG6	7.63	8.88	7.13	7.88	4.50	8.50
XFG10	11.63	13.00	11.13	11.88	6.88	12.50

Replacement Filters

Part No	Pkg. Qty.
XFF4	3
XFF6	3
XFF10	3

¹ Dimension for mounting and cabinet cutout. Secure sheet metal with #8 hardware.



Filter Coat

- Provides a filter adhesive with a grease-like consistency which absorbs and traps dust particles.
- 10 oz. bottle with environmentally friendly trigger spray.

Part No. **1475Q**