



PART NO.

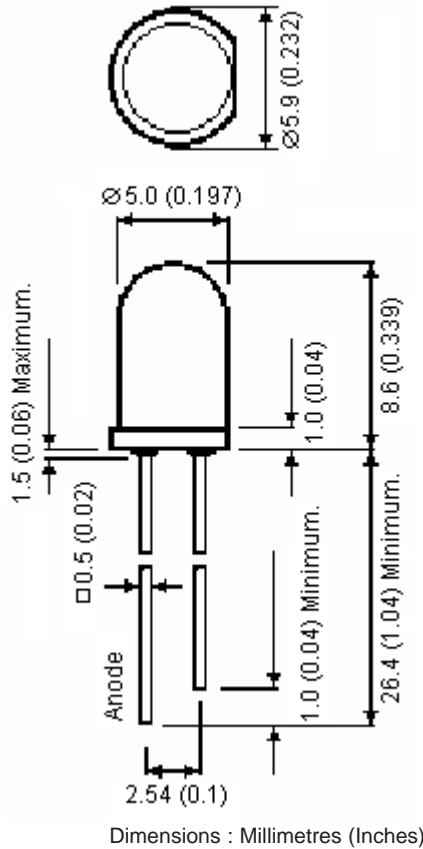
MCL053UGC

REVISIONS

ECN #	REV	DESCRIPTION	DRAWN	DATE	CHECKD	DATE	APPRVD	DATE
-	A	RELEASED	Rekha	27/5/08	Suresh	27/5/08	G. C	11/6/08

Specifications:

Dice material : InGaN.
 Emitted color : Ultra green.
 Lens color : Water clear.
 Peak wavelength : 525nm.
 Viewing angle : 16 degrees.
 Luminous intensity (IV) : 9500mcd.



Electrical/Optical Characteristics at $T_a = 25^\circ\text{C}$

Parameter	Symbol	Minimum	Typical	Maximum	Unit	Test
Luminous Intensity	IV	1450	4500	9500	mcd	IF = 20mA
Viewing Angle	2θ 1/2	-	16	-	degrees	
Peak Emission Wavelength	λ_p	-	525	-	nm	-
Dominant Wavelength	λ_D	-	527	-		-
Spectral Line Half-Width	$\Delta\lambda$	-	36	-		-
Forward Voltage	VF	2.7	3.4	4.0	V	IF = 20mA
Power Dissipation	Pd	-	-	85	-	-
Peak Forward Current (Duty 1/10 at 1KHZ)	IF (Peak)	-	-	100	-	-
Recommended Operating Current	IF (Rec)	-	20	-	mA	-

This data sheet and its contents (the "Information") belong to the Premier Farnell Group (the "Group") or are licensed to it. No licence is granted for the use of it other than for information purposes in connection with the products to which it relates. No licence of any intellectual property rights is granted. The Information is subject to change without notice and replaces all data sheets previously supplied. The Information supplied is believed to be accurate but the Group assumes no responsibility for its accuracy or completeness, any error in or omission from it or for any use made of it. Users of this data sheet should check for themselves the Information and the suitability of the products for their purpose and not make any assumptions based on information included or omitted. Liability for loss or damage resulting from any reliance on the Information or use of it (including liability resulting from negligence or where the Group was aware of the possibility of such loss or damage arising) is excluded. This will not operate to limit or restrict the Group's liability for death or personal injury resulting from its negligence. SPC MULTICOMP is the registered trademark of the Group. © Premier Farnell plc 2008.

TOLERANCES:
 UNLESS OTHERWISE SPECIFIED, DIMENSIONS ARE FOR REFERENCE PURPOSES ONLY.

DRAWN BY:	DATE:
Rekha	27/05/08
CHECKED BY:	DATE:
Suresh	27/05/08
APPROVED BY:	DATE:
G.Cook	11/06/08

DRAWING TITLE:

5.0mm Round LED Lamp - Ultra Green

SIZE	DWG NO.	ELECTRONIC FILE	REV
A	M10001137	L053UGC_DWG	A
SCALE: NTS	U.O.M.: mm (Inches)	SHEET: 1	OF 4



PART NO.

MCL053UGC

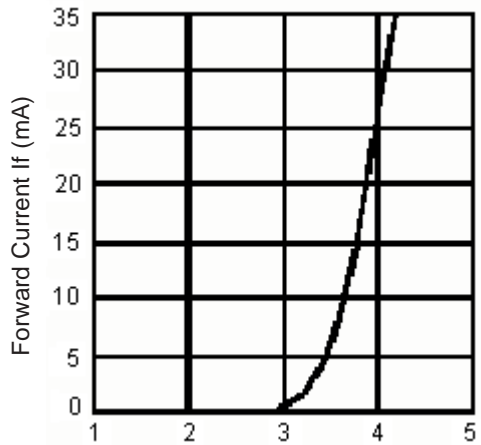
REVISIONS

ECN #	REV	DESCRIPTION	DRAWN	DATE	CHECKD	DATE	APPRVD	DATE
-	A	RELEASED	Rekha	27/5/08	Suresh	27/5/08	G. C	11/6/08

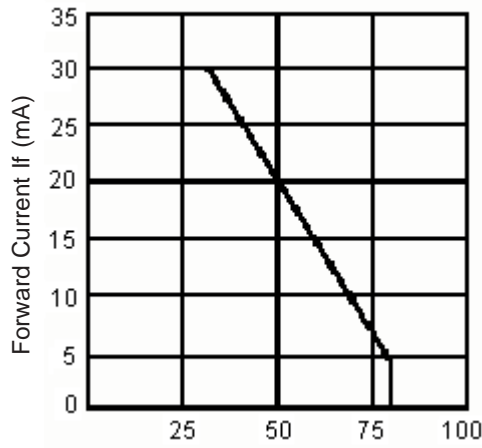
Absolute Maximum Ratings (T_a = 25°C)

Reverse Voltage	5 Volt
Reverse Current	10μA (V _R = 5V)
Electrostatics Discharge (ESD)	200 Volt
Operating Temperature Range	-40°C to 85°C
Storage Temperature Range	-40°C to 100°C
Lead Soldering Temperature Range 1.6mm (1/16 inch) from body	260°C for 5 Seconds

Ultra Green (InGaN λP = 525nm)



Forward Current vs. Forward Voltage



Forward Current Derating Curve

This data sheet and its contents (the "Information") belong to the Premier Farnell Group (the "Group") or are licensed to it. No licence is granted for the use of it other than for information purposes in connection with the products to which it relates. No licence of any intellectual property rights is granted. The Information is subject to change without notice and replaces all data sheets previously supplied. The Information supplied is believed to be accurate but the Group assumes no responsibility for its accuracy or completeness, any error in or omission from it or for any use made of it. Users of this data sheet should check for themselves the Information and the suitability of the products for their purpose and not make any assumptions based on information included or omitted. Liability for loss or damage resulting from any reliance on the Information or use of it (including liability resulting from negligence or where the Group was aware of the possibility of such loss or damage arising) is excluded. This will not operate to limit or restrict the Group's liability for death or personal injury resulting from its negligence. SPC MULTICOMP is the registered trademark of the Group. © Premier Farnell plc 2008.

TOLERANCES:
UNLESS OTHERWISE SPECIFIED, DIMENSIONS ARE FOR REFERENCE PURPOSES ONLY.

DRAWN BY:	DATE:
Rekha	27/05/08
CHECKED BY:	DATE:
Suresh	27/05/08
APPROVED BY:	DATE:
G.Cook	11/06/08

DRAWING TITLE:

5.0mm Round LED Lamp - Ultra Green

SIZE A	DWG NO. M10001137	ELECTRONIC FILE L053UGC_DWG	REV A
SCALE: NTS	U.O.M.: mm (Inches)	SHEET: 2 OF 4	



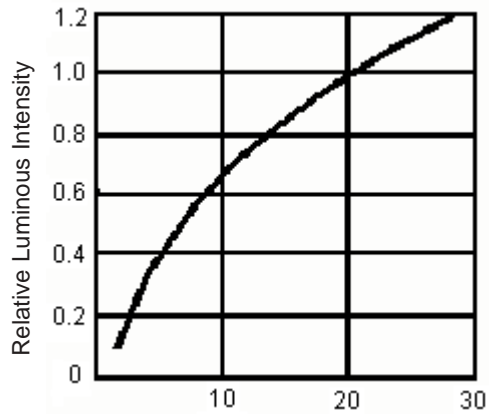
PART NO.

MCL053UGC

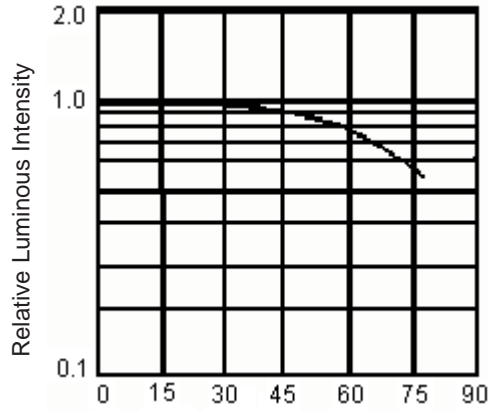
REVISIONS

ECN #	REV	DESCRIPTION	DRAWN	DATE	CHECKD	DATE	APPRVD	DATE
-	A	RELEASED	Rekha	27/5/08	Suresh	27/5/08	G. C	11/6/08

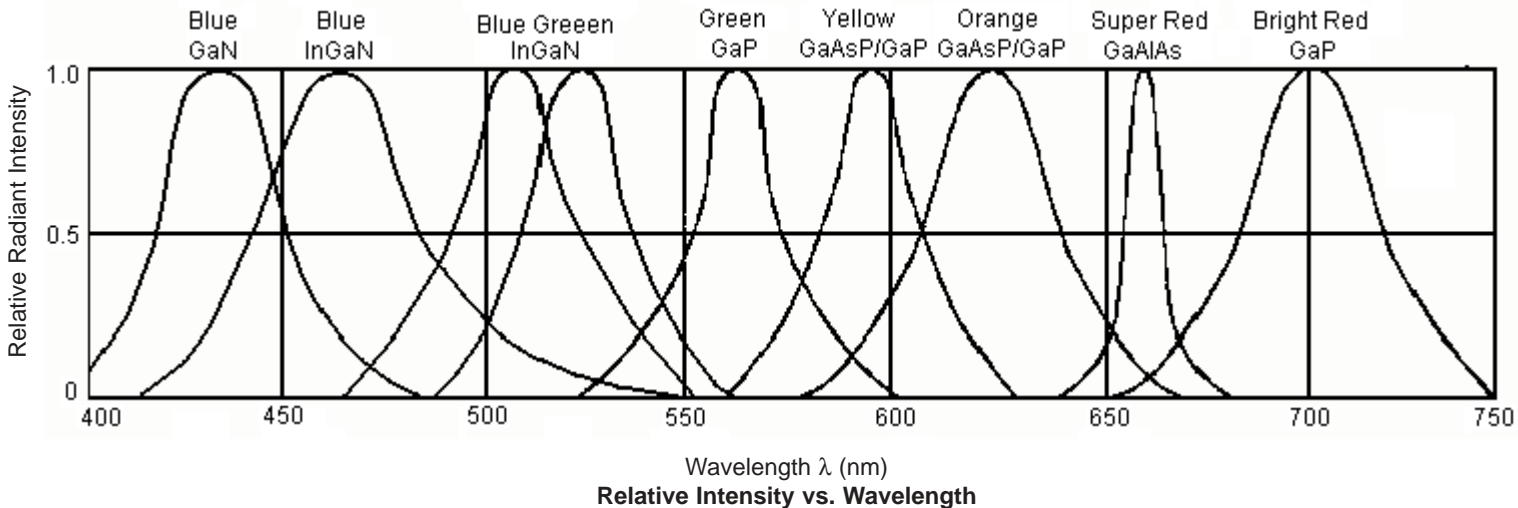
Ultra Green (InGaN $\lambda_P = 525\text{nm}$)



Forward Current (mA) $T_a = 25^\circ\text{C}$
Luminous Intensity vs. Forward Current



Ambient Temperature $T_a = ^\circ\text{C}$
Luminous Intensity vs. Ambient Temperature



Wavelength λ (nm)
Relative Intensity vs. Wavelength

This data sheet and its contents (the "Information") belong to the Premier Farnell Group (the "Group") or are licensed to it. No licence is granted for the use of it other than for information purposes in connection with the products to which it relates. No licence of any intellectual property rights is granted. The Information is subject to change without notice and replaces all data sheets previously supplied. The Information supplied is believed to be accurate but the Group assumes no responsibility for its accuracy or completeness, any error in or omission from it or for any use made of it. Users of this data sheet should check for themselves the Information and the suitability of the products for their purpose and not make any assumptions based on information included or omitted. Liability for loss or damage resulting from any reliance on the Information or use of it (including liability resulting from negligence or where the Group was aware of the possibility of such loss or damage arising) is excluded. This will not operate to limit or restrict the Group's liability for death or personal injury resulting from its negligence. SPC MULTICOMP is the registered trademark of the Group. © Premier Farnell plc 2008.

TOLERANCES:
UNLESS OTHERWISE SPECIFIED, DIMENSIONS ARE FOR REFERENCE PURPOSES ONLY.

DRAWN BY:	DATE:
Rekha	27/05/08
CHECKED BY:	DATE:
Suresh	27/05/08
APPROVED BY:	DATE:
G.Cook	11/06/08

DRAWING TITLE:			
5.0mm Round LED Lamp - Ultra Green			
SIZE	DWG NO.	ELECTRONIC FILE	REV
A	M10001137	L053UGC_DWG	A
SCALE: NTS		U.O.M.: mm (Inches)	SHEET: 3 OF 4



PART NO.

MCL053UGC

REVISIONS

ECN #	REV	DESCRIPTION	DRAWN	DATE	CHECKD	DATE	APPRVD	DATE
-	A	RELEASED	Rekha	27/5/08	Suresh	27/5/08	G. C	11/6/08

Part Number Table

Description	Part Number
LED, 5mm, 16°, Ultra-Green	MCL053UGC

<http://www.farnell.com>

<http://www.newark.com>

<http://www.cpc.co.uk>

This data sheet and its contents (the "Information") belong to the Premier Farnell Group (the "Group") or are licensed to it. No licence is granted for the use of it other than for information purposes in connection with the products to which it relates. No licence of any intellectual property rights is granted. The Information is subject to change without notice and replaces all data sheets previously supplied. The Information supplied is believed to be accurate but the Group assumes no responsibility for its accuracy or completeness, any error in or omission from it or for any use made of it. Users of this data sheet should check for themselves the information and the suitability of the products for their purpose and not make any assumptions based on information included or omitted. Liability for loss or damage resulting from any reliance on the Information or use of it (including liability resulting from negligence or where the Group was aware of the possibility of such loss or damage arising) is excluded. This will not operate to limit or restrict the Group's liability for death or personal injury resulting from its negligence. SPC MULTICOMP is the registered trademark of the Group. © Premier Farnell plc 2008.

TOLERANCES:

UNLESS OTHERWISE SPECIFIED, DIMENSIONS ARE FOR REFERENCE PURPOSES ONLY.

DRAWN BY:	DATE:
Rekha	27/05/08
CHECKED BY:	DATE:
Suresh	27/05/08
APPROVED BY:	DATE:
G.Cook	11/06/08

DRAWING TITLE:

5.0mm Round LED Lamp - Ultra Green

SIZE A	DWG NO. M10001137	ELECTRONIC FILE L053UGC_DWG	REV A
SCALE: NTS	U.O.M.: mm (Inches)	SHEET: 4 OF 4	