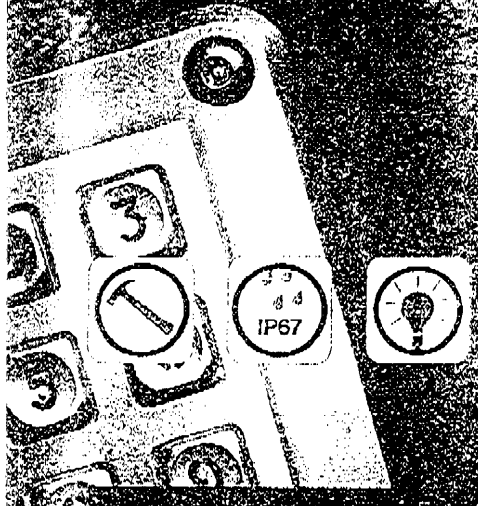


vandal resistant keypads
anti pull-off keys

The S Series



ELECTRICAL CHARACTERISTICS

Function :		1 contact NO
Current :	nominal current :	5 mA
	nominal voltage :	5 V
Voltage :	maximum voltage :	24 V
	minimum initial voltage :	500 mV
Protection :	against ESD :	5 000 V
Resistance :	contact resistance :	< 200 Ω
	insulation resistance :	at 100 Vdc : > 1 000 MΩ
Dielectric strength :		1 500 Vrms 50 Hz 1 Min
Consumption :	LED :	at 2.1 V : 20 mA
Life time :		4 000 000 operations

MECHANICAL CHARACTERISTICS

Material :	key and body :	Chromed Zamak
	actuation force :	1 to 3 N
Contact :	travel :	1.3 ± 0.3 mm
	material :	Carbon / Gold
Resistance :	shock resistance :	(IEC 512-4) : 100 g
	vibration resistance :	(IEC 512-4) : 40 g / 1000 Hz

ENVIRONMENTAL CHARACTERISTICS

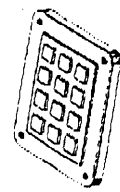
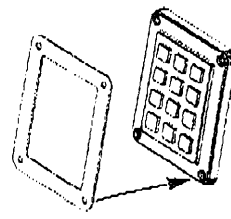
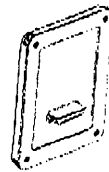
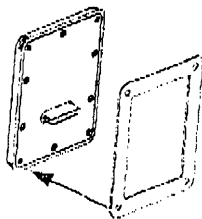
Temperature range :	operating temperature :	-25 °C to +85 °C
	storage temperature :	-40 °C to +85 °C
Heat :	damp heat :	(IEC 512-6) : 21 days
	dry heat at 85 °C :	(IEC 512-6) : 10 days
Saline mist :		(IEC 512-6) : 96 Hours
Sealing :	front sealed when keypad mounted :	(IEC 512-6) : IP 67
Cleaning :		isopropilic alcohol (diluted at 40 %)

MAIN APPLICATIONS

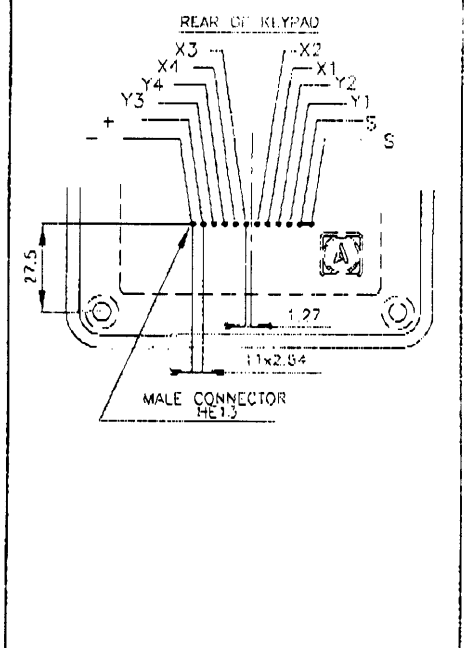
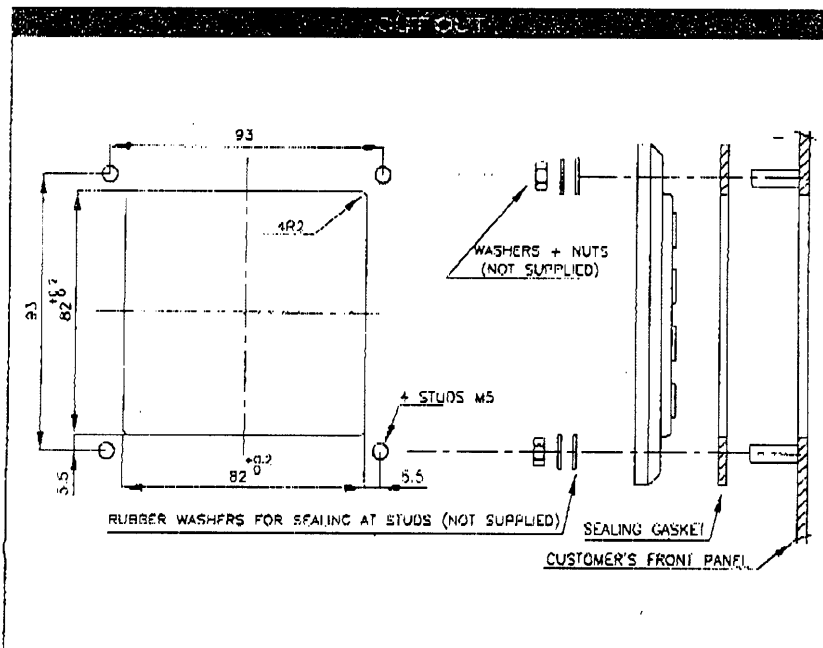
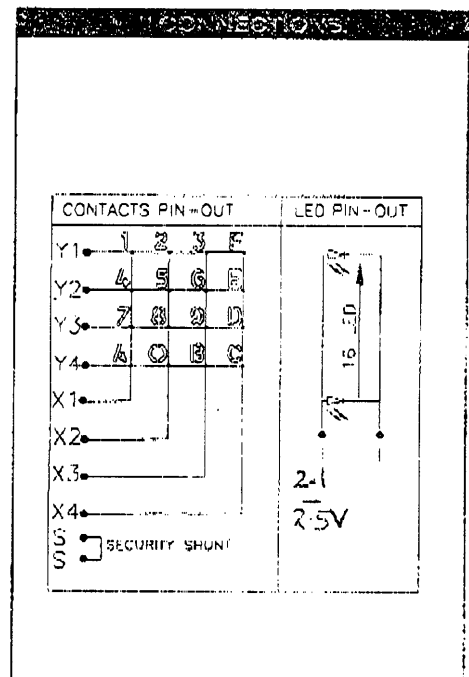
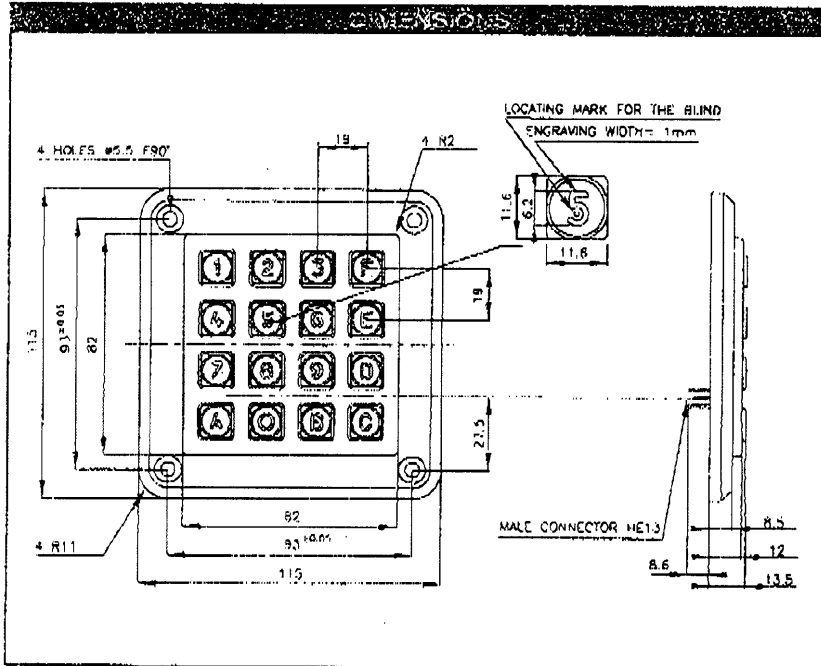
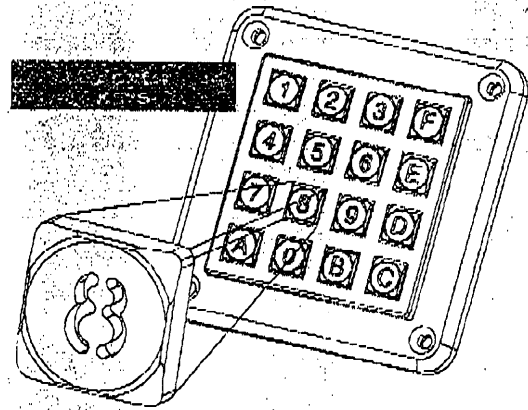
Front mounting :

Rear mounting :

- Slot machines
- Public information stands
- Access control



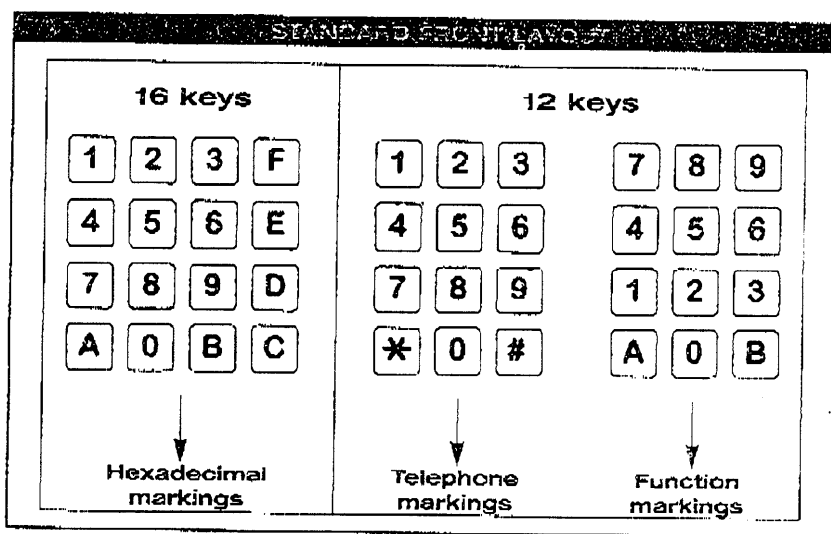
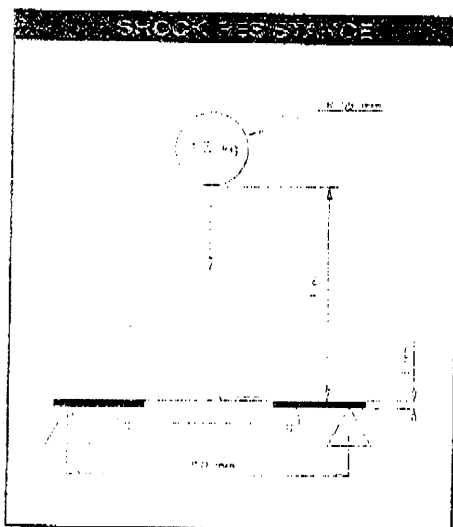
S300 Series



dimensions shown in mm (see how to order on last page)

TECHNICAL INFORMATION

	Illuminated S100 and S300	Engraved S200 and S400
STANDARD	Numbers : 0 to 9 Letters : A to F Symbols : # or * - Characters filled on request with transparent resin	Numbers : 0 to 9 Letter : A to F Symbols : # or * - Characters filled in black
CUSTOM	- Limited to 2 characters (consult us) - Characters filled on request with transparent resin	- By programming at the mechanical engraving - Many colours available (consult us)



HOW TO ORDER

	①	②	③	④	⑤	⑥
your reference :	S	●	--	-	●	--
example :	S	●	12	1	●	24
① Product identity :	S					
② Numbers of keys :	12 or 16					
③ Front layout :	1 = Telephone (12 keys) 2 = Function (12 keys) 3 = Hexadecimal (16 keys)					
④ Layout :	00 = common point 50 = matrix					
⑤ Illumination :	00 = non illuminated (engraved keys) 12 = Red LED 10 = Green LED 14 = Yellow LED 22 = Red LED + filling resin 23 = Green LED + filling resin 24 = Yellow LED + filling resin					
⑥ Packaging :	1 → unit 4 by 20 pieces					