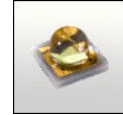


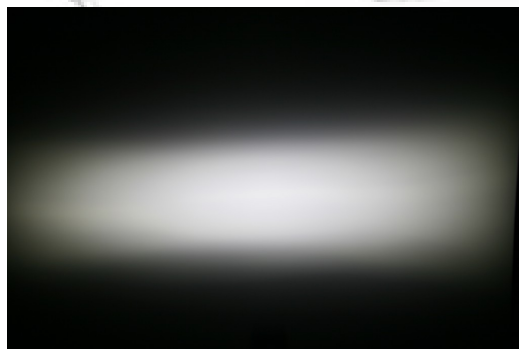
## Flare-B-OSL lens for Osram Oslon SSL series of LEDs



Flare-B-OSL

- Lens designed for Osram Oslon SSL series of LEDs
- Lens material optical grade PMMA with high UV and temperature resistance (105°C/220°F). Allows use of high current and temperature conditions
- Best available optical efficiency
- Fastening to PCB & heat sink with 2 screws (C10946\_Flare-B-OSL) or very easy assembly with TAPE
- LED can be assembled parallel or perpendicular to the x,y axis (to turn the light distribution by 90°)
- Compact dimensions 23 x 25 mm. Square form enables easy build of a line without any gaps between lenses.
- **Especially suitable for Beacon and other 360° solutions and in linear solutions with high evenness requirements**

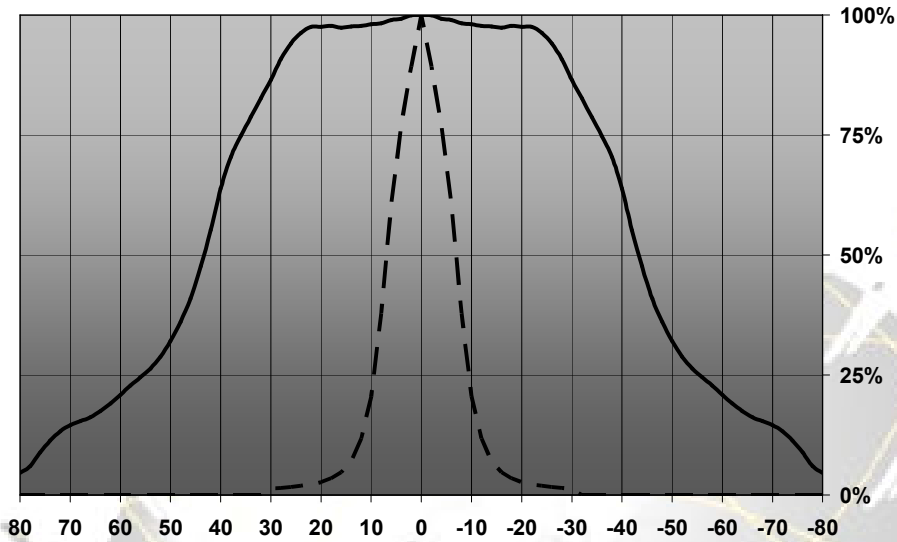
NAME	ORDERING CODE	FWHM Angle
Flare-B-OSL Lens	C10946_Flare-B-OSL	±4.5° x ±44°
Flare-B-OSL TAPE	CA10932_Flare-B-OSL-tape	±4.5° x ±44°



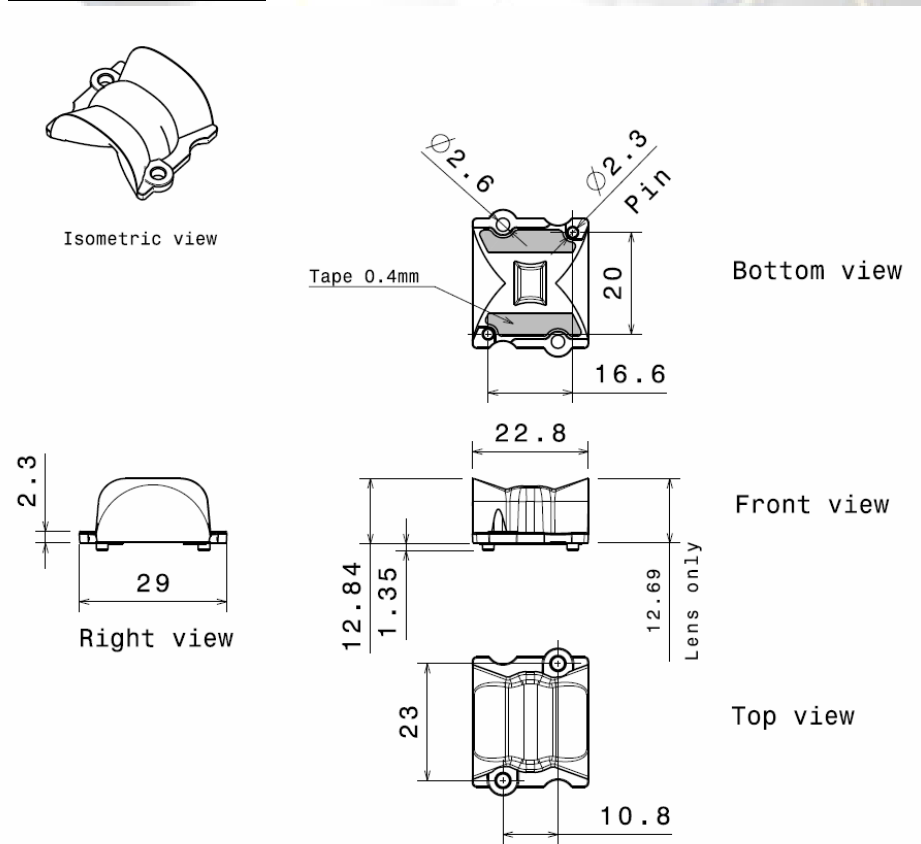
© Ledil Oy - Subject to change without prior notice

## MEASUREMENTS

Relative Intensity of C10946\_Flare-B-OSL



## DRAWINGS



© Ledil Oy - Subject to change without prior notice