

Clairtronic Ltd.

93 Whitby Road Industrial Estate, Slough, Berks, UK. SL1 3DR
Telephone : +44 (0) 1753 692022 Fax : +44 (0) 1753 535096
e-mail: sales@clairtronic.com www.clairtronic.com



CONTROL PANEL TRANSFORMERS

POWER RATINGS FROM 50VA TO 2500VA



MANUFACTURED IN ACCORDANCE WITH

- EN61558-1 • EN61558-2-6 • UL506 • EN61558-2-2

SINGLE PRIMARY WINDING OFFERING CHOICE OF
230V OR 415V ON THE SAME TRANSFORMER

LARGE SELECTION OF SECONDARY VOLTAGES

TRANSFORMERS AVAILABLE FROM STOCK

General Characteristics

Primary Tappings	-15/0/+15/230/400V	Thermal insulation class	B
Rated frequency	50/60Hz	Electrical isolation class	1
Ambient temperature	40°C	Pri/Sec insulation	4500V
Supply tolerance	+6%/ -10%	Earth connection	Faston 6.3 x 0.8mm

Clairtronic Ltd.

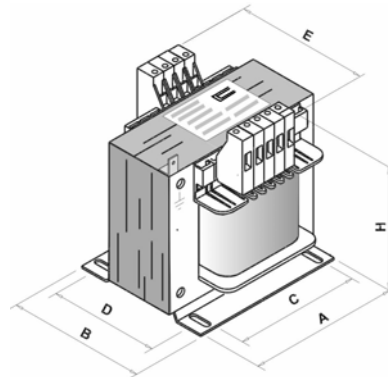
93 Whitby Road Industrial Estate, Slough, Berks, UK. SL1 3DR
 Telephone : +44 (0) 1753 692022 Fax : +44 (0) 1753 535096
 e-mail: sales@clairtronic.com www.clairtronic.com



Part Numbers

Power Rating (VA)	P: 230/400±15V S: 12-0-12V	P: 230/400 ±15V S: 24-0-24V	P: 230/400±15V S: 55-0-55V	P: 230/400±15V S: 0-230V
50	13000	13001	13002	13003
63	13010	13011	13012	13013
100	13020	13021	13022	13023
150	13030	13031	13032	13033
200	13040	13041	13042	13043
300	13050	13051	13052	13053
500	13060	13061	13062	13063
1000			13072	13073
1500			13082	13083
2000			13092	13093
2500				13103

Single Phase Safety and Isolating Transformers



Power Rating	Inrush VA	Dimensions (mm)						Fixings	Weight (Kg)
		A	B	C	D	E	H		
50	100	75	65	62.5	50.5	76	87	M4	1.1
63	110	84	60	64	48	72	93	M4	1.5
100	210	84	74	64	61	87	93	M4	1.9
150	385	96	85	84	70	92	104	M5	2.8
200	540	96	101	84	85	105	104	M5	3.5
300	830	120	85	90	77	90	125	M5	4.9
500	1800	120	105	90	87	108	126	M6	7.5
1000	3300	150	155	122	133	155	150	M6	13.3
1500	4500	180	137	130	120	156	190	M8	18
2000	6400	180	157	130	137	170	190	M8	22
2500	8000	192	177	144	158	190	205	M8	30