

1 2 3 4 5 6 7 8 9 10

A

B

C

D

E

F

G

H

A

B

C

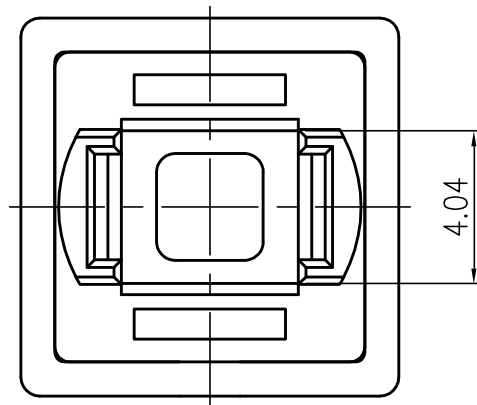
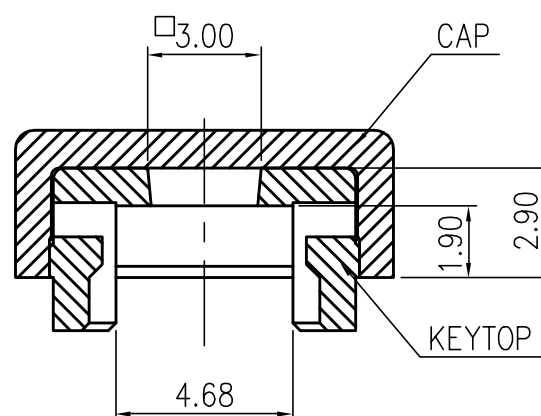
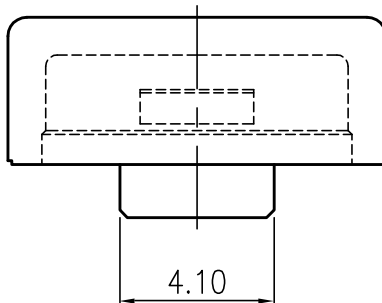
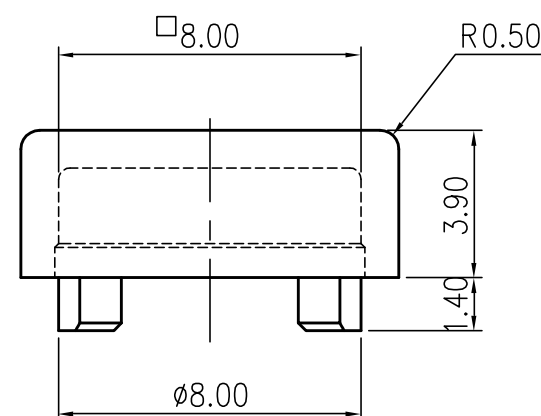
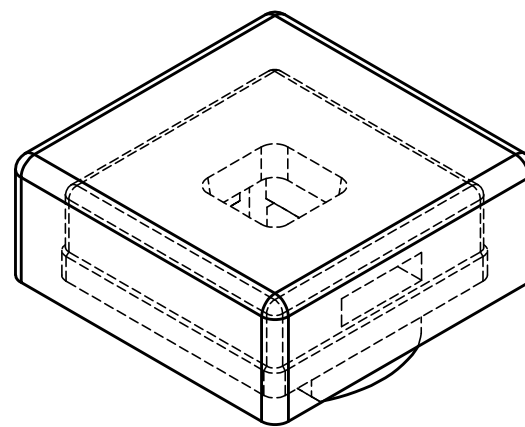
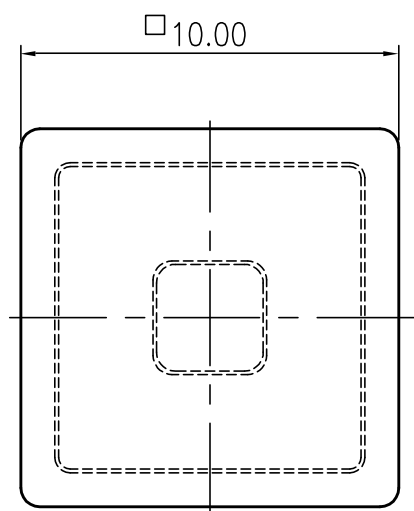
D

E

F

G

H



PART NO.	COLOR	
	CAP	KEYTOP
KTL-SAY	CLEAR	YELLOW
KTL-SAB	CLEAR	BLUE
KTL-SAR	CLEAR	RED
KTL-SAI	CLEAR	IVOLY
KTL-SAK	CLEAR	BLACK
KTL-SAG	CLEAR	GREEN
KTL-SAS	CLEAR	SALMON

NOTE:  
 1. ALL DIMENSIONS ARE IN MILLIMETERS.  
 BRACKETED DIMENSIONS ARE IN INCHES.  
 2. GENERAL TOLERANCES  $\pm 0.3\text{mm}$

ZONE	REV.	DESCRIPTION	DATE	APPD.

APPD:	QTY:	 <b>圓達實業股份有限公司</b> DIPTRONICS MANUFACTURING INC.	PART NAME:
CHKD:	SCALE: 5/1		CAP
DR: <i>Austin</i>	REV: A1	UNITS: mm	DWG NO:
DESIGN: <i>Austin</i>	 	PART NO: KTL-SA□	KTL-SA
		MAT L:	
		FINISH:	