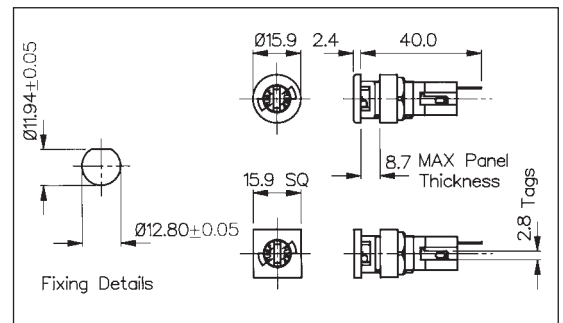


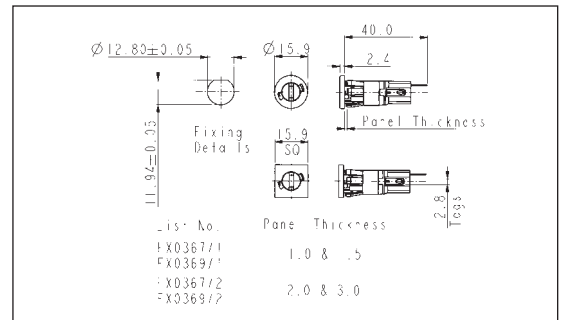
Panel Mounting and Snap Fit Touchproof® PC2



- Panel Mount
- Touchproof Category PC2
- Fuse Size 5 x 20mm
- Bayonet Cap/Screwdriver Release
- 10A, 250V (16A, 250V UL & CSA pending)



- Snap Fit to Panel
- Panel Sizes 1.0 & 1.5 and 2.0 & 3.0mm
- Touchproof Category PC2
- Fuse Size 5 x 20mm
- Bayonet Cap/Screwdriver Release
- 10A, 250V (16A, 250V UL & CSA)



Specification	FX0357, FX0359	FX0367/Panel, FX0369/Panel
Fuse Size:	5 x 20mm	5 x 20mm
Fuse Carrier:	Bayonet cap/Screwdriver release	Bayonet cap/Screwdriver release
Terminations:	2.8 series tabs/solder tags	2.8 series tabs/solder tags
Max. Rating:	10A, 250V (16A, 250V UL & CSA pending)	10A, 250V (16A, 250V UL & CSA pending)
Max. Power Dissipation:	4W (@ 23°C)	4W (@ 23°C)
Insulation Resistance:	>10 ² MΩ @ 500V d.c.	>10 ² MΩ @ 500V d.c.
A.C. Breakdown:	7kV @ 50Hz	7kV @ 50Hz
Contact Resistance:	<10mΩ	<10mΩ
Mouldings:		
Body:	Polyester UL94V-0 rated	Polyester UL94V-0 rated
Cap:	Nylon UL94V-0 rated	Nylon UL94V-0 rated
Nut:	Glass Filled Nylon UL94V-0 rated	
Contacts:	Brass, Silver Plated	Brass, Silver Plated
Approvals:	*Pending	All pending
Accessories:	P.No. 11327 (See page 155)	
Protection Classification:	PC2	PC2