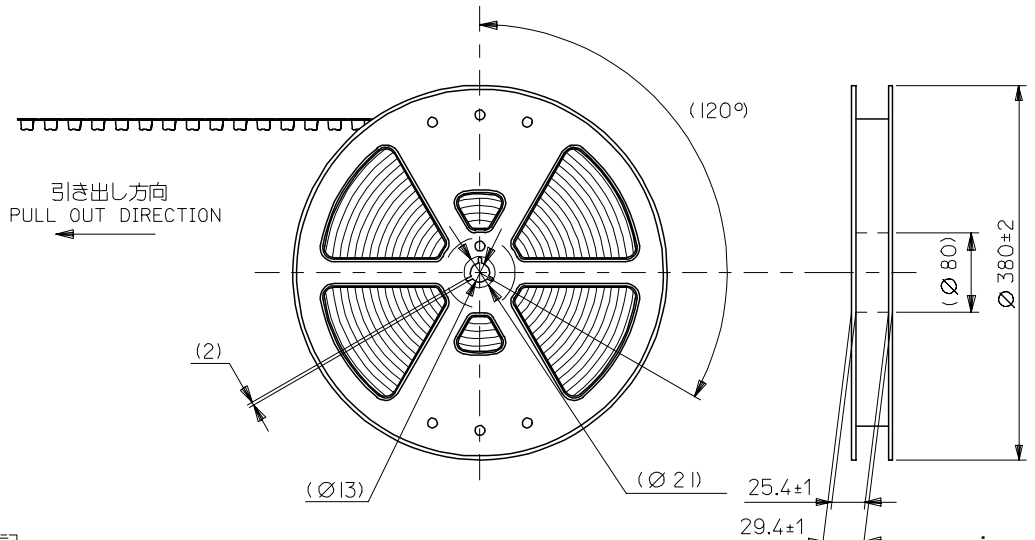


- NOTE:**
- 適合プラグ番号: 501014-20**
APPLICABLE PLUG NO.:
 - 材質
MATERIAL
 - ハウジング: ガラス入り耐熱樹脂
94V-0, 黒色
HOUSING: G.F.HEAT RESISTANT PLASTIC
94V-0, BLACK COLOR
 - ターミナル: 銅合金
TERMINAL COPPER ALLOY
 - リセ シールド: ステンレス鋼
REC. SHIELD STAINLESS STEEL
 - メッキ仕様
PLATING
 - ターミナル
TERMINAL
 - 接点部 : 金メッキ 0.1umMIN.
CONTACT AREA GOLD
 - 半田付け部 : 錫メッキ 1.0um MIN.
SOLDER TAIL AREA TIN
 - 下地メッキ : ニッケルメッキ 1.5 ~ 3um
UNDER-PLATING NICKEL
 - リセ シールド
REC. SHIELD
 - 金コート処理
GOLD COATING
 - 下地メッキ : ニッケルメッキ 1.0 ~ 2um
UNDER-PLATING NICKEL
 - 本製品は 54944-2001 の鉛フリー品である。
THIS PRODUCT IS LEAD FREE OF 54944-2001.

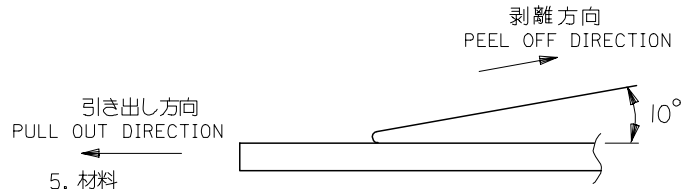
54944-2006	54944-20**
MATERIAL NO.	MODEL NO.

RELEASED EC NO: J2005-0621 2004/09/13 DRAWN: MNABE I 2004/09/13 CHKD: KTOJO 2004/09/17 APPR: NUKITA	GENERAL TOLERANCES (UNLESS SPECIFIED)		DIMENSION STYLE MM ONLY		SCALE 5:1	DESIGN UNITS METRIC	THIRD ANGLE PROJECTION
	10 UNDER	±0.2	DRAWN BY MNABE I	DATE '04/08/31	TITLE 0.5 I/O CONN. REC. HSG ASSY 20CKT. -LEAD FREE- MOLEX INCORPORATED		
	10 OVER 30 UNDER	±0.25	CHECKED BY KTOJO	DATE '04/08/31			
	30 OVER	±0.3	APPROVED BY NUKITA	DATE '04/08/31			
	ANGULAR	±3 °	MATERIAL NO.	SEE CHART	DOCUMENT NO. SD-54944-029	SHEET NO. 1 OF 2	
DRAFT WHERE APPLICABLE MUST REMAIN WITHIN DIMENSIONS		SIZE A3			THIS DRAWING CONTAINS INFORMATION THAT IS PROPRIETARY TO MOLEX INCORPORATED AND SHOULD NOT BE USED WITHOUT WRITTEN PERMISSION		

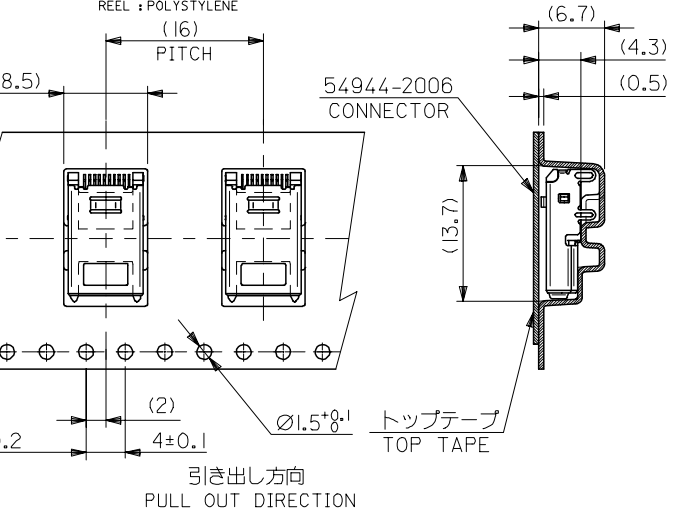
10 9 8 7 6 5 4 3 2 1



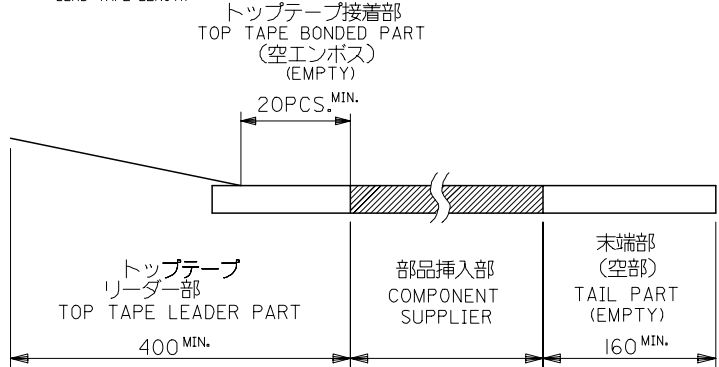
4. トップテープの剥離強度：(剥離方向は下図参照)
 PEELING OFF FORCE OF TOP TAPE (PEELING DIRECTION AS SHOWN IN FOLLOWING FIG.)
 0.1~1.3N (10~130gf)
 尚、本規格値は、出荷時に適用。
 (但し、輸送時に剥離が発生しない事。)
 THIS REQUIREMENT SHOULD BE APPLIED AT SHIPMENT
 (PEEL OFF SHOULD NOT BE ALLOWED, DURING TRANSPORTATION)



5. 材料
 MATERIAL
 キャリアテープ：ポリプロピレン (PP)
 CARRIER TAPE : POLYPROPYLENE (PP)
 トップテープ：PET, PE, PEF
 TOP TAPE : PET, PE, PEF
 リール：ポリスチレン
 REEL : POLYSTYLENE



- 注記
 NOTES
- 製品番号 54944-2006 の詳細寸法については、SD-54944-029 を参照下さい。
 IN THE PACKAGE, PART NO. 54944-2006 RE DETAILED DIMENSIONS, SEE SD-54944-029
 - 梱包数量：800個/リール
 NUMBER OF CONNECTORS : 800 PCS/REEL
 - リードテープ長さ
 LEAD TAPE LENGTH



20	54944-2006	54944-2070	54944-***7*
CKT.	CONNECTOR	MATERIAL NO.	MODEL NO.

RELEASED EC NO: J2005-0621 DRAWN: MNABE CHKD: KTOJO APPR: NUKITA 2004/09/13 2004/09/13 2004/09/17	GENERAL TOLERANCES (UNLESS SPECIFIED)		DIMENSION STYLE MM ONLY		SCALE ---	DESIGN UNITS METRIC	THIRD ANGLE PROJECTION
	10 UNDER	±0.2	DRAWN BY MNABE I	DATE '04/08/31	TITLE EMBOSSD TAPE PACKAGE FOR 54944 -LEAD FREE-		
	10 OVER 30 UNDER	±0.25	CHECKED BY KTOJO	DATE '04/08/31			
	30 OVER	±0.3	APPROVED BY NUKITA	DATE '04/08/31	MOLEX INCORPORATED		
	ANGULAR	±3 °	MATERIAL NO.	DOCUMENT NO. SD-54944-030			
0	DRAFT WHERE APPLICABLE MUST REMAIN WITHIN DIMENSIONS		SIZE A3	THIS DRAWING CONTAINS INFORMATION THAT IS PROPRIETARY TO MOLEX INCORPORATED AND SHOULD NOT BE USED WITHOUT WRITTEN PERMISSION			