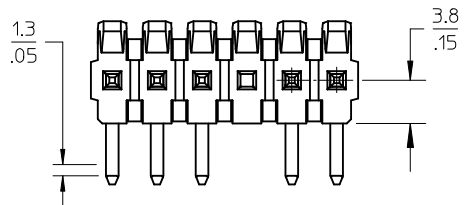
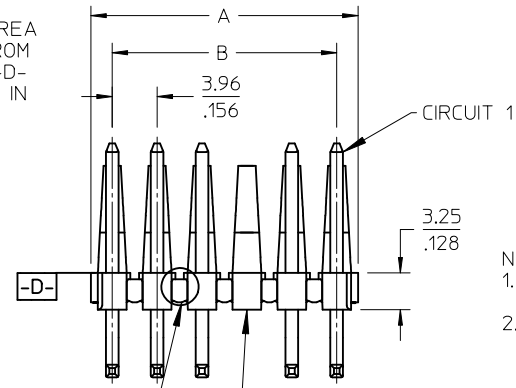
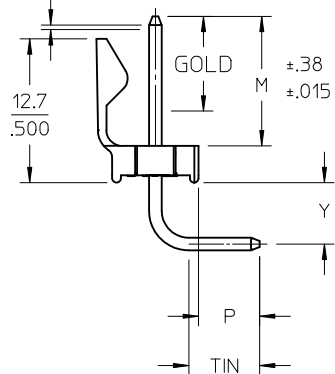


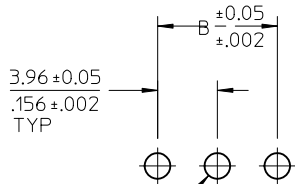
CENTERLINE OF PIN IN AREA SHOWN NOT TO VARY FROM CENTERLINE OF PIN AT -D- BY MORE THAN 0.13/.005 IN ANY DIRECTION.



CENTERLINE OF PIN IN AREA SHOWN NOT TO VARY FROM .05 CENTERLINE OF PIN AT -D- BY MORE THAN 0.20/.008 IN ANY DIRECTION.



OPTIONAL VOIDED CKT. SEE CHART FOR LOCATIONS

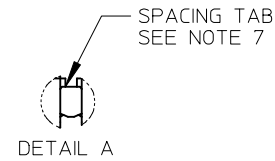


1.70 DIA. .067 TYP

PCB LAYOUT: COMPONENT SIDE
RECOMMENDED PCB THICKNESS:
1.57 ± .18 / .062 ± .007

A-41672- * N * * * *
OPTION - PACKING
B= 43294 PIN- BULK PACK
NO OF CKTS
DIM M.L.P
PLATING

VOID LOCATIONS
BLANK=NO VOIDS
NO=CKT NO VOIDED
MULT-VOIDS=51 UP



NOTES:

- MATERIAL: HEADER: POLYESTER, 94V-0, MOLDED BLACK PIN: BRASS
- FINISH:
 - (154) OVERALL TIN: 0.00254/.000100 MIN OVER 0.00127/.000050 MIN NICKEL.
 - (197) OVERALL RELOWED MATTE TIN: 0.00152/.000060 MIN. OVER 0.00127/.000050 MIN. NICKEL OVERALL.
 - (208) SELECT GOLD: 0.00038/.000015 MIN, SELECT TIN: 0.00254/.000100 MIN, OVERALL NICKEL UNDERPLATE: 0.00127/.000050 MIN.
 - (228) SELECT GOLD: 0.00076/.000030 MIN, SELECT TIN: 0.00254/.000100 MIN, OVERALL NICKEL UNDERPLATE: 0.00127/.000050 MIN.
 - (241) SELECT GOLD: 0.00051/.000020 MIN, SELECT TIN: 0.00254/.000100 MIN, OVERALL NICKEL UNDERPLATE: 0.00127/.000050 MIN.
- PRODUCT SPECIFICATION: PS-08-50.
- PACKAGING INFORMATION: SEE TABLES
- SOLDERABILITY: PER SMES-152.
- PIN PUSH-OUT FORCE: PRIOR TO SOLDERING, A 3 LB. MINIMUM FORCE IN EITHER DIRECTION SHALL BE REQUIRED TO PUSH THE PIN OUT OF THE HEADER.
- PARTS ARE STACKABLE END TO END ON 3.96/.156 CENTERS.(SPACING TABS MUST BE REMOVED ON CIRCUIT SIZES 1-23 BEFORE PARTS ARE STACKABLE.
- PARTS WILL CONFORM TO CLASS B REQUIREMENTS OF COSMETIC SPECIFICATION PS-45499-002.

CIRCUIT	A	B
2	6.78/7.87 .267/.310	3.96 .156
3	10.74/11.84 .423/.466	7.92 .312
4	14.71/15.80 .579/.622	11.89 .468
5	18.67/19.76 .735/.778	15.85 .624
6	22.63/23.72 .891/.934	19.81 .780
7	26.59/27.69 1.047/1.090	23.77 .936
8	30.56/31.65 1.203/1.246	27.74 1.092
9	34.52/35.61 1.359/1.402	31.70 1.248
10	38.48/39.57 1.515/1.558	35.66 1.404
11	42.44/43.54 1.671/1.714	39.62 1.560
12	46.41/47.50 1.827/1.870	43.59 1.716
13	50.37/51.46 1.983/2.026	47.55 1.872
14	54.33/55.42 2.139/2.182	51.51 2.028
15	58.29/59.39 2.295/2.338	55.47 2.184
16	62.26/63.35 2.451/2.494	59.44 2.340
17	66.22/67.31 2.607/2.650	63.40 2.496
18	70.18/71.27 2.763/2.806	67.36 2.652
19	74.14/75.23 2.919/2.962	71.32 2.808
20	78.11/79.20 3.075/3.118	75.29 2.964
21	82.07/83.16 3.231/3.274	79.25 3.120
22	86.03/87.12 3.387/3.430	83.21 3.276
23	89.94/91.08 3.541/3.586	87.17 3.432
24	93.85/95.00 3.695/3.740	91.14 3.588

2-*	AC
1	AC
SHEET	REV

ADD FINISH 197, 241	QUALITY SYMBOLS
EC NO: UCP2012-0114	▽ F = 0
DRWN:MMSTROH 2011/07/26	▽ E = 0
CHKD:MKIPPER 2011/10/21	▽ F = 0
APPR:FSMTH 2011/10/28	
DESCRIPTION	

GENERAL TOLERANCES (UNLESS SPECIFIED)		
	mm	INCH
4 PLACES	± ---	± ---
3 PLACES	± ---	± .010
2 PLACES	± 0.25	± .015
1 PLACE	± 0.38	± ---
ANGULAR ± 1/2°		
DRAFT WHERE APPLICABLE MUST REMAIN WITHIN DIMENSIONS		

DIMENSION STYLE	
MM/IN	
DRAWN BY	DATE
JSCHAFFER	12-5-03
CHECKED BY	DATE
KSAMIEC	12-12-03
APPROVED BY	DATE
MARGULIS	12-16-03
MATERIAL NO.	
SEE CHART	
SIZE	
A	

SCALE	DESIGN UNITS	THIRD ANGLE PROJECTION	
2:1	INCH	◎ ◻	
TITLE			
KK .156 HEADER ASSEMBLY FRICTION LOCK BREAKAWAY RIGHT ANGLE			
molex MOLEX INCORPORATED			
DOCUMENT NO.			SHEET NO.
SD-41672-001			1 OF *
THIS DRAWING CONTAINS INFORMATION THAT IS PROPRIETARY TO MOLEX INCORPORATED AND SHOULD NOT BE USED WITHOUT WRITTEN PERMISSION			

Header No:	41186-A-AN
Pin No:	43294-0572
Pin Length L	1.100 / 27.94
Mating M	.450 / 11.43
Gold:	NA
Bend Height: Y	.213 / 5.41
PC Tail P	.212 / 5.38
Tin:	OVERALL
Pack Per	PK-41672-001

Header No:	41186-A-AN
Pin No:	43294-0569
Pin Length L	1.100 / 27.94
Mating M	.450 / 11.43
Gold:	.270 / 6.86
Bend Height: Y	.213 / 5.41
PC Tail P	.212 / 5.38
Tin:	.200 / 5.08
Pack Per	PK-41672-001

Header No:	41186-A-AN
Pin No:	43294-0570
Pin Length L	1.100 / 27.94
Mating M	.450 / 11.43
Gold:	.270 / 6.86
Bend Height: Y	.213 / 5.41
PC Tail P	.212 / 5.38
Tin:	.200 / 5.08
Pack Per	PK-41672-001

Header No:	41186-A-AN
Pin No:	43294-0573
Pin Length L	1.100 / 27.94
Mating M	.450 / 11.43
Gold:	.270 / 6.85
Bend Height: Y	.213 / 5.41
PC Tail P	.212 / 5.38
Tin:	.200 / 5.08
Pack Per	PK-41672-001

Ckts	Material No	Engineer Number
2	026481026	A-41672-B02A197
3	026481036	A-41672-B03A197
4	026481046	A-41672-B04A197
5	026481056	A-41672-B05A197
6	026481066	A-41672-B06A197
7	026481076	A-41672-B07A197
8	026481086	A-41672-B08A197
9	026481096	A-41672-B09A197
10	026481106	A-41672-B10A197
11	026481116	A-41672-B11A197
12	026481126	A-41672-B12A197
13	026481136	A-41672-B13A197
14	026481146	A-41672-B14A197
15	026481156	A-41672-B15A197
16	026481166	A-41672-B16A197
17	026481176	A-41672-B17A197
18	026481186	A-41672-B18A197
19	026481196	A-41672-B19A197
20	026481206	A-41672-B20A197
21	026481216	A-41672-B21A197
22	026481226	A-41672-B22A197
23	026481236	A-41672-B23A197
24	026481246	A-41672-B24A197

Material No	Engineer Number
41672-0001	A-41672-B02A208
41672-0002	A-41672-B03A208
41672-0003	A-41672-B04A208
41672-0004	A-41672-B05A208
41672-0005	A-41672-B06A208
41672-0006	A-41672-B07A208
41672-0007	A-41672-B08A208
41672-0008	A-41672-B09A208
41672-0009	A-41672-B10A208
41672-0010	A-41672-B11A208
41672-0011	A-41672-B12A208
41672-0012	A-41672-B13A208
41672-0013	A-41672-B14A208
41672-0014	A-41672-B15A208
41672-0015	A-41672-B16A208
41672-0016	A-41672-B17A208
41672-0017	A-41672-B18A208
41672-0018	A-41672-B19A208
41672-0019	A-41672-B20A208
41672-0020	A-41672-B21A208
41672-0021	A-41672-B22A208
41672-0022	A-41672-B23A208
41672-0023	A-41672-B24A208

Material No	Engineer Number
41672-0024	A-41672-B02A228
41672-0025	A-41672-B03A228
41672-0026	A-41672-B04A228
41672-0027	A-41672-B05A228
41672-0028	A-41672-B06A228
41672-0029	A-41672-B07A228
41672-0030	A-41672-B08A228
41672-0031	A-41672-B09A228
41672-0032	A-41672-B10A228
41672-0033	A-41672-B11A228
41672-0034	A-41672-B12A228
41672-0035	A-41672-B13A228
41672-0036	A-41672-B14A228
41672-0037	A-41672-B15A228
41672-0038	A-41672-B16A228
41672-0039	A-41672-B17A228
41672-0040	A-41672-B18A228
41672-0041	A-41672-B19A228
41672-0042	A-41672-B20A228
41672-0043	A-41672-B21A228
41672-0044	A-41672-B22A228
41672-0045	A-41672-B23A228
41672-0046	A-41672-B24A228

Material No	Engineer Number
026482026	A-41672-B02A241
026482036	A-41672-B03A241
026482046	A-41672-B04A241
026482056	A-41672-B05A241
026482066	A-41672-B06A241
026482076	A-41672-B07A241
026482086	A-41672-B08A241
026482096	A-41672-B09A241
026482106	A-41672-B10A241
026482116	A-41672-B11A241
026482126	A-41672-B12A241
026482136	A-41672-B13A241
026482146	A-41672-B14A241
026482156	A-41672-B15A241
026482166	A-41672-B16A241
026482176	A-41672-B17A241
026482186	A-41672-B18A241
026482196	A-41672-B19A241
026482206	A-41672-B20A241
026482216	A-41672-B21A241
026482226	A-41672-B22A241
026482236	A-41672-B23A241
026482246	A-41672-B24A241

AC	REV:	ECR/ECN INFORMATION:	TITLE:	KK 156 HEADER ASSEMBLY FRICTION LOCK BREAKAWAY RIGHT ANGLE	SHEET No.
		EC No.: UCP2012-0114			- 2 -
		DATE: 10/31/2011			
DOCUMENT NUMBER:		CREATED / REVISED BY:	CHECKED BY:	APPROVED BY:	
SD- 41672 -001		MMSTROH	MKIPPER	FSMITH	

Header No:	41186-A-AN
Pin No:	43294-0974
Pin Length L	1.530 / 38.86
Mating M	.499 / 12.67
Gold:	.300/7.62
Bend Height: Y	.213 / 5.41
PC Tail P	.592 / 15.04
Tin:	.200/ 5.08
Pack Per	PK-41672-001

Header No:	41186-A-AN
Pin No:	43294-0573
Pin Length L	1.100 / 27.94
Mating M	.523 / 13.28
Gold:	.270/ 6.85
Bend Height: Y	.213 / 5.41
PC Tail P	.136 / 3.45
Tin:	.200/ 5.08
Pack Per	PK-41672-001

Header No:	41186-A-AN
Pin No:	43294-0500
Pin Length L	1.030 / 26.16
Mating M	.456/11.58 REF
Gold:	NA
Bend Height: Y	.221 / 5.61
PC Tail P	.125+--.015
Tin:	OVERALL
Pack Per	PK-41672-001

Header No:	41186-A-AN
Pin No:	43294-0500
Pin Length L	1.030 / 26.16
Mating M	.459 / 11.66
Gold:	NA
Bend Height: Y	.213 / 5.41
PC Tail P	.130 / 3.30
Tin:	OVERALL
Pack Per	PK-41672-001

Ckts	Material No	Engineer Number
2	41672-0109	A-41672-B02D241
3	41672-0110	A-41672-B03D241
4	41672-0111	A-41672-B04D241
5	41672-0112	A-41672-B05D241
6	41672-0113	A-41672-B06D241
7	41672-0114	A-41672-B07D241
8	41672-0115	A-41672-B08D241
9	41672-0116	A-41672-B09D241
10	41672-0117	A-41672-B10D241
11	41672-0118	A-41672-B11D241
12	41672-0119	A-41672-B12D241
13	41672-0120	A-41672-B13D241
14	41672-0121	A-41672-B14D241
15	41672-0122	A-41672-B15D241
16	41672-0123	A-41672-B16D241
17	41672-0124	A-41672-B17D241
18	41672-0125	A-41672-B18D241
19	41672-0126	A-41672-B19D241
20	41672-0127	A-41672-B20D241
21	41672-0128	A-41672-B21D241
22	41672-0129	A-41672-B22D241
23	41672-0130	A-41672-B23D241
24	026586242	A-41672-B24D241

Material No	Engineer Number
026586020	A-41672-B02C241
026586030	A-41672-B03C241
41672-0131	A-41672-B04C241
41672-0132	A-41672-B05C241
41672-0133	A-41672-B06C241
41672-0134	A-41672-B07C241
026586080	A-41672-B08C241
41672-0135	A-41672-B09C241
41672-0136	A-41672-B10C241
41672-0137	A-41672-B11C241
41672-0138	A-41672-B12C241
41672-0139	A-41672-B13C241
41672-0140	A-41672-B14C241
41672-0141	A-41672-B15C241
41672-0142	A-41672-B16C241
41672-0143	A-41672-B17C241
41672-0144	A-41672-B18C241
41672-0145	A-41672-B19C241
41672-0146	A-41672-B20C241
41672-0147	A-41672-B21C241
41672-0148	A-41672-B22C241
41672-0149	A-41672-B23C241
41672-0150	A-41672-B24C241

Material No	Engineer Number
026482029	A-41672-B02E197
026482039	A-41672-B03E197
026482049	A-41672-B04E197
026482059	A-41672-B05E197
026482069	A-41672-B06E197
026482079	A-41672-B07E197
026482089	A-41672-B08E197
026482099	A-41672-B09E197
026482109	A-41672-B10E197
026482119	A-41672-B11E197
026482129	A-41672-B12E197
026482139	A-41672-B13E197
026482149	A-41672-B14E197
026482159	A-41672-B15E197
026482169	A-41672-B16E197
026482179	A-41672-B17E197
026482189	A-41672-B18E197
026482199	A-41672-B19E197
026482209	A-41672-B20E197
026482219	A-41672-B21E197
026482229	A-41672-B22E197
026482239	A-41672-B23E197
026482249	A-41672-B24E197

Material No	Engineer Number
41672-0151	A-41672-B02F197
41672-0152	A-41672-B03F197
41672-0153	A-41672-B04F197
41672-0154	A-41672-B05F197
41672-0155	A-41672-B06F197
41672-0156	A-41672-B07F197
41672-0157	A-41672-B08F197
41672-0158	A-41672-B09F197
41672-0159	A-41672-B10F197
41672-0160	A-41672-B11F197
41672-0161	A-41672-B12F197
41672-0162	A-41672-B13F197
41672-0163	A-41672-B14F197
41672-0164	A-41672-B15F197
41672-0165	A-41672-B16F197
41672-0166	A-41672-B17F197
41672-0167	A-41672-B18F197
41672-0168	A-41672-B19F197
41672-0169	A-41672-B20F197
41672-0170	A-41672-B21F197
41672-0171	A-41672-B22F197
41672-0172	A-41672-B23F197
41672-0173	A-41672-B24F197

AC	REV:	<u>ECR/ECN INFORMATION:</u>	<u>TITLE:</u>	KK 156 HEADER ASSEMBLY FRICTION LOCK BREAKAWAY RIGHT ANGLE	<u>SHEET No.</u>
		EC No.: UCP2012-0114			- 4 -
		DATE: 10/31/2011			
<u>DOCUMENT NUMBER:</u> SD- 41672 -001		<u>CREATED / REVISED BY:</u> MMSTROH		<u>CHECKED BY:</u> MKIPPER	
				<u>APPROVED BY:</u> FSMITH	

Header No:	41186-A-AN
Pin No:	43294-0526
Pin Length L	1.060 / 26.92
Mating M	.447 / 11.35
Gold:	NA
Bend Height: Y	.213 / 5.41
PC Tail P	.172 / 4.69
Tin:	OVERALL
Pack Per	PK-41672-001

Header No:	41186-A-AN
Pin No:	43294-0572
Pin Length L	1.100 / 27.94
Mating M	.450 / 11.43
Gold:	NA
Bend Height: Y	.213 / 5.41
PC Tail P	.212 / 5.38
Tin:	OVERALL
Pack Per	PK-41672-001

Header No:	41186-A-AN
Pin No:	43294-0573
Pin Length L	1.100 / 27.90
Mating M	.450 / 11.43
Gold:	.270/ 6.85
Bend Height: Y	.213 / 5.41
PC Tail P	.212 / 5.38
Tin:	.200/ 5.08
Pack Per	PK-41672-001

Ckts	Material No	Engineer Number
2	41672-0176	A-41672-B02G197
3	41672-0177	A-41672-B03G197
4	41672-0178	A-41672-B04G197
5	41672-0179	A-41672-B05G197
6	41672-0180	A-41672-B06G197
7	41672-0181	A-41672-B07G197
8	41672-0182	A-41672-B08G197
9	41672-0183	A-41672-B09G197
10	41672-0184	A-41672-B10G197
11	41672-0185	A-41672-B11G197
12	41672-0186	A-41672-B12G197
13	41672-0187	A-41672-B13G197
14	41672-0188	A-41672-B14G197
15	41672-0189	A-41672-B15G197
16	41672-0190	A-41672-B16G197
17	41672-0191	A-41672-B17G197
18	41672-0192	A-41672-B18G197
19	41672-0193	A-41672-B19G197
20	41672-0194	A-41672-B20G197
21	41672-0195	A-41672-B21G197
22	41672-0196	A-41672-B22G197
23	41672-0197	A-41672-B23G197
24	41672-0198	A-41672-B24G197

Material No	Engineer Number	Void
026504051	A-41672-B05A197-51	2,4
41672-0047	A-41672-B02A197-1	1
41672-0174	A-41672-B23A197-51	18,20 .22
026504042	A-41672-B04A197-02	2
026504061	A-41672-B06A197-4	4
026504043	A-41672-B04A197-3	3
026504062	A-41672-B06A197-5	5
416720048	A-41672-B09A197-51	2,3,4, 6,7,8
416720049	A-41672-B14A197-12	12
026504102	A-41672-B10A197-5	5
026504072	A-41672-B07A197-2	2
41672-0175	A-41672-B11A197-2	2
41672-0203	A-41672-B14A197-51	2,6, 11,13
41672-0227	A-41672-B05A197-2	2

Material No	Engineer Number	Void
026504121	A-41672-B12A241-51	4,6
026497063	A-41672-B06A241-5	5

AC	<u>ECR/ECN INFORMATION:</u>	<u>TITLE:</u> KK 156 HEADER ASSEMBLY FRICTION LOCK BREAKAWAY RIGHT ANGLE	<u>SHEET No.</u> - 5 -	
	EC No.: UCP2012-0114			
	DATE: 10/31/2011			
<u>DOCUMENT NUMBER:</u> SD- 41672 -001		<u>CREATED / REVISED BY:</u> MMSTROH	<u>CHECKED BY:</u> MKIPPER	<u>APPROVED BY:</u> FSMITH

6

5

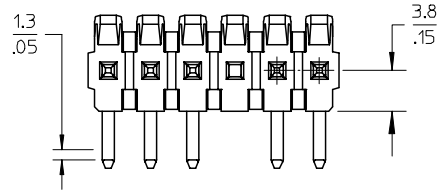
4

3

2

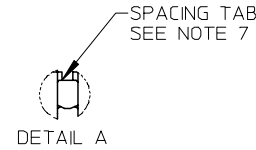
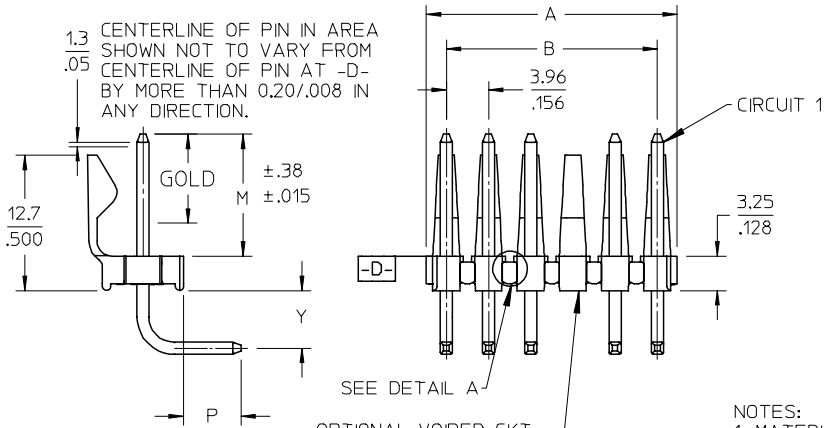
1

CENTERLINE OF PIN IN AREA SHOWN NOT TO VARY FROM CENTERLINE OF PIN AT -D- BY MORE THAN 0.13/.005 IN ANY DIRECTION.



A-41681- * N * * * *
 OPTION - PACKING
 A=BRASS - BULK PACK
 B=BRASS - TUBE PACK
 NO OF CKTS
 DIM M.L.P
 PLATING
 VOID LOCATIONS
 BLANK=NO VOIDS
 NO=CKT NO VOIDED
 MULT-VOIDS=51 UP

CENTERLINE OF PIN IN AREA SHOWN NOT TO VARY FROM CENTERLINE OF PIN AT -D- BY MORE THAN 0.20/.008 IN ANY DIRECTION.

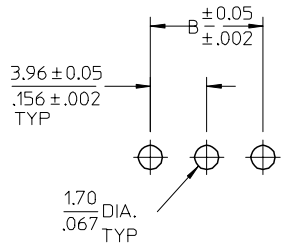


OPTIONAL VOIDED CKT. SEE CHART FOR LOCATIONS

NOTES:

- MATERIAL: HEADER: POLYESTER, 94V-0, MOLDED BLACK
- FINISH:
 (228) SELECT GOLD: 0.00076/.000030 MIN.
 *SELECT TIN: 0.00254/.000100 MIN.
 OVERALL NICKEL UNDERPLATE: 0.00127/.000050 MIN.
 *THE PRIMARY SHIPPING CARTON WILL BE LABELED "COMPLIANT TO ROHS DIRECTIVE 2002/95/EC AND ELV ANNEX II OF DIRECTIVE 2000/53/EC". CARTONS WITHOUT THIS LABEL MAY CONTAIN PRODUCT WITH TIN/LEAD PLATINGS.
- PRODUCT SPECIFICATION: PS-08-50.
- PACKAGING INFORMATION: SEE CHARTS
- SOLDERABILITY: PER SMES-152.
- PIN PUSH-OUT FORCE: PRIOR TO SOLDERING, A 3 LB. MINIMUM FORCE IN EITHER DIRECTION SHALL BE REQUIRED TO PUSH THE PIN OUT OF THE HEADER.
- PARTS ARE STACKABLE END TO END ON 3.96/.156 CENTERS.(SPACING TABS MUST BE REMOVED ON CIRCUIT SIZES 1-23 BEFORE PARTS ARE STACKABLE.

CIRCUIT	A	B
2	6.78/7.87 .267/.310	3.96 .156
3	10.74/11.84 .423/.466	7.92 .312
4	14.71/15.80 .579/.622	11.89 .468
5	18.67/19.76 .735/.778	15.85 .624
6	22.63/23.72 .891/.934	19.81 .780
7	26.59/27.69 1.047/1.090	23.77 .936
8	30.56/31.65 1.203/1.246	27.74 1.092
9	34.52/35.61 1.359/1.402	31.70 1.248
10	38.48/39.57 1.515/1.558	35.66 1.404
11	42.44/43.54 1.671/1.714	39.62 1.560
12	46.41/47.50 1.827/1.870	43.59 1.716
13	50.37/51.46 1.983/2.026	47.55 1.872
14	54.33/55.42 2.139/2.182	51.51 2.028
15	58.29/59.39 2.295/2.338	55.47 2.184
16	62.26/63.35 2.451/2.494	59.44 2.340
17	66.22/67.31 2.607/2.650	63.40 2.496
18	70.18/71.27 2.763/2.806	67.36 2.652
19	74.14/75.23 2.919/2.962	71.32 2.808
20	78.11/79.20 3.075/3.118	75.29 2.964
21	82.07/83.16 3.231/3.274	79.25 3.120
22	86.03/87.12 3.387/3.430	83.21 3.276
23	89.94/91.08 3.541/3.586	87.17 3.432
24	93.85/95.00 3.695/3.740	91.14 3.588



PCB LAYOUT: COMPONENT SIDE
 RECOMMENDED PCB THICKNESS:
 (1.57 ± .18) / .062 ± .007

ADD DIMENSION EC NO: UCP2006-2296 DRWN: PR IDDER 2006/04/27 CHKD: ADERR 2006/04/28 APPR: FSMITH 2006/04/28	2-*	A1
	1	A2
	SHEET	REV
		A2

QUALITY SYMBOLS	DESCRIPTION
▽=0	
▽=0	

GENERAL TOLERANCES (UNLESS SPECIFIED)	DIMENSION STYLE MM/IN	
	mm	INCH
4 PLACES	± ---	± ---
3 PLACES	± ---	± .010
2 PLACES	± 0.25	± .015
1 PLACE	± 0.38	± ---
ANGULAR ± 1/2°		
DRAFT WHERE APPLICABLE MUST REMAIN WITHIN DIMENSIONS		

DRAWN BY JSCHAFFER	DATE 12-5-03
CHECKED BY KSAMIEC	DATE 12-12-03
APPROVED BY MARGULIS	DATE 12-16-03
MATERIAL NO. SEE CHART	
SIZE A	

SCALE 2:1	DESIGN UNITS INCH	THIRD ANGLE PROJECTION
TITLE KK .156 HEADER ASSEMBLY FRICTION LOCK BREAKAWAY RIGHT ANGLE (LEAD-FREE)		
MOLEX INCORPORATED		
DOCUMENT NO. SD-41672-002		SHEET NO. 1 OF *
THIS DRAWING CONTAINS INFORMATION THAT IS PROPRIETARY TO MOLEX INCORPORATED AND SHOULD NOT BE USED WITHOUT WRITTEN PERMISSION		

5

4

3

2

1

