

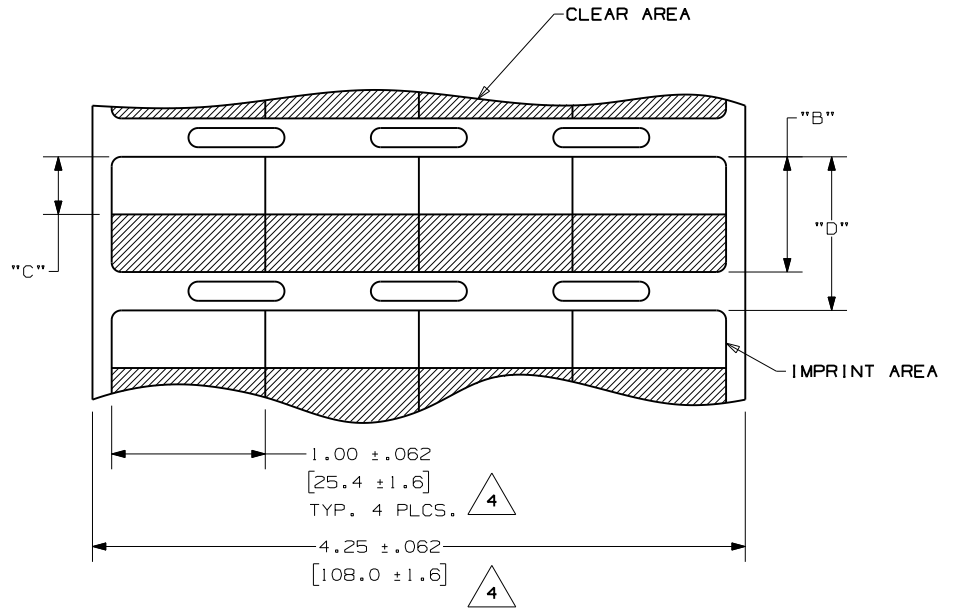
THIS COPY IS PROVIDED ON A RESTRICTED BASIS AND IS NOT TO BE USED IN ANY WAY DETRIMENTAL TO THE INTERESTS OF PANDUIT CORP.



| PART NUMBER | MATERIAL | "B" HEIGHT +/- .062 | IMPRINT AREA "C" +/- .062 | VERTICAL REPEAT "D" +/- .062 | LABELS PER ROW | STANDARD PKG. QTY. |
|--------------|----------|---------------------------|------------------------------------|---------------------------------------|----------------------|-----------------------|
| S100X075VA1Y | GMV16 | 0.75 [19.0] | 0.25 [6.35] | 1.00 [25.4] | 4 | 2500 |
| S100X125VA1Y | GMV16 | 1.25 [31.8] | 0.38 [9.53] | 1.50 [38.1] | 4 | 2500 |
| S100X150VA1Y | GMV16 | 1.50 [38.1] | 0.50 [12.7] | 1.80 [45.7] | 4 | 2500 |
| S100X225VA1Y | GMV16 | 2.25 [57.2] | 0.75 [19.0] | 2.50 [63.5] | 4 | 1500 |
| S100X250VA1Y | GMV16 | 2.50 [63.5] | 1.00 [25.4] | 2.75 [69.8] | 4 | 1500 |
| S100X400VA1Y | GMV16 | 4.00 [101.6] | 1.00 [25.4] | 4.25 [108.0] | 4 | 1000 |
| S100X650VA1Y | GMV16 | 6.50 [165.1] | 1.50 [38.1] | 6.75 [171.4] | 4 | 250 |



NOTES:
1. MILLIMETERS ARE IN [].



CAD FILENAME/LAYERS 100472BS_DC_C10194/05E

PANDUIT CORP. TINLEY PARK, ILLINOIS

CUSTOMER DRAWING
OPTIMUM SELF-LAM. S100X***VA1Y
THERMAL TRANSFER PRINTABLE LABELS

| REV | DATE | BY | CHK | DESCRIPTION | ECN | R | CUST | SUP |
|-----|---------|-----|-----|--|------|---|------|-----|
| 4 | 2/25/09 | RVU | | OBSOLETE PARTS: S***X***VA1, AND S***X***TA1. UPDATE TOLERANCE WITH +/- .062. | 5682 | | R | |
| 3 | 6/13/08 | RVU | | VOID | 5464 | | R | |
| 2 | 5/25/07 | RVU | | ADDED NEW P/N, S100X225VA1Y. | 5021 | | R | |
| 1 | 1-8-07 | RVU | | REVISED TOLERANCE. | 4830 | | R | |
| 0 | 9-11-06 | RVU | | DRAWING RELEASED. | 4671 | | R | |

UNLESS OTHERWISE SPECIFIED,
DIMENSIONAL TOLERANCES ARE:
(.X) ± .12 (.XXX) ± .025
(.XX) ± .062 ANGLES ±



UNLESS OTHERWISE SPECIFIED,
ALL DIMENSIONS ARE GIVEN
IN INCHES, THIRD ANGLE PROJECTION.

DRAWN BY
RVU
DATE
9-22-04
CHK'D

MAT'L:
SEE TABLE

SCALE
NTS
DRAWING NO.
C10194
DWG
A
SIZE