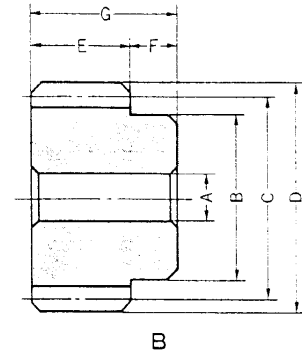
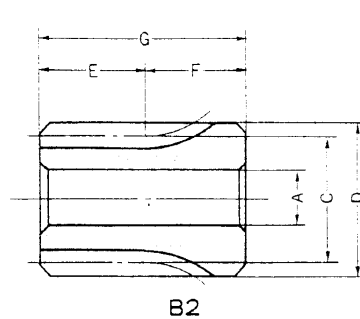
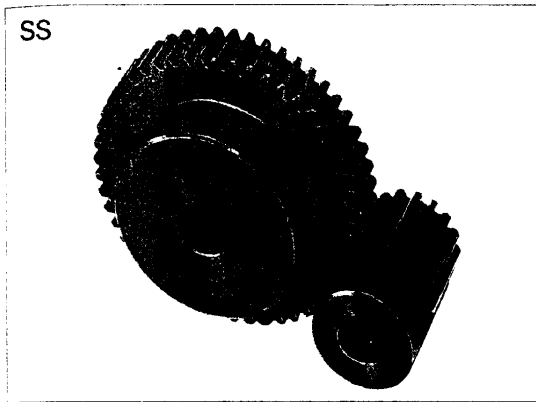


SS1-15 ⇒ SS1-60

Part nos 708-3506 ⇒ 3658

## SPUR GEARS (SS)



Z = no. of teeth.

■ m1 Material: S45C(Steel) 20° Pressure Angle Face width: 10 mm

Catalog No.	z	AH7	B	C	D	E	F	G	(Type) Weight-kgf
SS1-15	15	8	17	15.0	17.0	10	20	30	(B2) 0.03
SS1-16	16	8	18	16.0	18.0	10	20	30	(B2) 0.04
SS1-17	17	8	19	17.0	19.0	10	20	30	(B2) 0.05
SS1-18	18	8	20	18.0	20.0	10	20	30	(B2) 0.05
SS1-19	19	8	21	19.0	21.0	10	20	30	(B2) 0.06
SS1-20	20	8	16	20.0	22.0	10	10	20	(B) 0.03
SS1-21	21	8	17	21.0	23.0	10	10	20	(B) 0.03
SS1-22	22	8	18	22.0	24.0	10	10	20	(B) 0.04
SS1-23	23	8	18	23.0	25.0	10	10	20	(B) 0.04
SS1-24	24	8	20	24.0	26.0	10	10	20	(B) 0.05
SS1-25	25	8	20	25.0	27.0	10	10	20	(B) 0.05
SS1-26	26	8	22	26.0	28.0	10	10	20	(B) 0.06
SS1-27	27	8	22	27.0	29.0	10	10	20	(B) 0.06
SS1-28	28	8	22	28.0	30.0	10	10	20	(B) 0.07
SS1-29	29	8	24	29.0	31.0	10	10	20	(B) 0.08
SS1-30	30	10	25	30.0	32.0	10	10	20	(B) 0.08
SS1-32	32	10	26	32.0	34.0	10	10	20	(B) 0.10
SS1-34	34	10	26	34.0	36.0	10	10	20	(B) 0.11
SS1-35	35	10	26	35.0	37.0	10	10	20	(B) 0.11
SS1-36	36	10	28	36.0	38.0	10	10	20	(B) 0.12
SS1-38	38	10	32	38.0	40.0	10	10	20	(B) 0.14
SS1-40	40	10	35	40.0	42.0	10	10	20	(B) 0.16
SS1-42	42	10	35	42.0	44.0	10	10	20	(B) 0.17
SS1-44	44	10	35	44.0	46.0	10	10	20	(B) 0.18
SS1-45	45	10	35	45.0	47.0	10	10	20	(B) 0.18
SS1-46	46	10	35	46.0	48.0	10	10	20	(B) 0.19
SS1-48	48	10	35	48.0	50.0	10	10	20	(B) 0.20
SS1-50	50	10	35	50.0	52.0	10	10	20	(B) 0.22
SS1-52	52	10	35	52.0	54.0	10	10	20	(B) 0.23
SS1-54	54	10	35	54.0	56.0	10	10	20	(B) 0.24
SS1-55	55	10	35	55.0	57.0	10	10	20	(B) 0.25
SS1-56	56	10	35	56.0	58.0	10	10	20	(B) 0.26
SS1-58	58	10	35	58.0	60.0	10	10	20	(B) 0.27
SS1-60	60	10	35	60.0	62.0	10	10	20	(B) 0.28
SS1-62	62	10	40	62.0	64.0	10	10	20	(B) 0.30
SS1-64	64	10	40	64.0	66.0	10	10	20	(B) 0.34
SS1-65	65	10	40	65.0	67.0	10	10	20	(B) 0.35
SS1-66	66	10	40	66.0	68.0	10	10	20	(B) 0.36
SS1-68	68	10	40	68.0	70.0	10	10	20	(B) 0.38
SS1-70	70	10	40	70.0	72.0	10	10	20	(B) 0.40
SS1-72	72	10	40	72.0	74.0	10	10	20	(B) 0.41
SS1-75	75	10	40	75.0	77.0	10	10	20	(B) 0.43
SS1-76	76	10	40	76.0	78.0	10	10	20	(B) 0.45
SS1-80	80	10	40	80.0	82.0	10	10	20	(B) 0.49
SS1-84	84	10	40	84.0	86.0	10	10	20	(B) 0.53
SS1-85	85	10	40	85.0	87.0	10	10	20	(B) 0.55
SS1-88	88	10	40	88.0	90.0	10	10	20	(B) 0.57
SS1-90	90	10	40	90.0	92.0	10	10	20	(B) 0.59
SS1-95	95	10	40	95.0	97.0	10	10	20	(B) 0.66
SS1-96	96	10	40	96.0	98.0	10	10	20	(B) 0.67
SS1-100	100	10	40	100.0	102.0	10	10	20	(B) 0.70
SS1-110	110	15	50	110.0	112.0	10	10	20	(B) 0.87
SS1-120	120	15	50	120.0	122.0	10	10	20	(B) 1.00
SS1-150	150	20	120	150.0	152.0	10	10	20	(B) 2.23
SS1-200	200	20	160	200.0	202.0	10	10	20	(B) 4.00