

LED-18W DC 700mA P New Version

SPECIFICATIONS

Standards

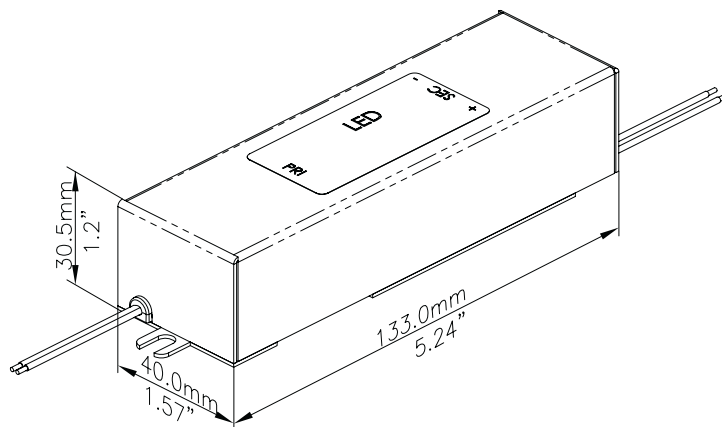
Converter meets CE standard
Pending UL and C-UL
Pending VDE and VDE EMV

Available Versions

901018700NP-LED 18W DC 700mA P
(European Version)
901018700NPU-LED 18W DC 700mA PU
(USA Version)

Mechanical and Thermal

Dimensions (mm) 30.5 x 40 x 133
Dimensions (in.) 1.2 x 1.57 x 5.24
Weight 300 grams, 10.58 ounces
Tc Max 90°C
Ta Max 50°C
Aluminium casing
Output wire 0.75mm²/18 AWG Teflon
Input wire 0.75mm²/18 AWG 300V
180°C/200°C



Electrical

Load	2-18VA
Input	100-265V 0/50/60Hz
Output current	650-750mA
Output voltage	3-30V
Efficiency	75%
EMC (RFI)	FCC Class A/EN 55015
Harmonics	EN 61000-3-2
Electrostatic Discharge	IEC61000-4-2
EMC Immunity	IEC61000-4-3
Burst	IEC61000-4-4
Surge	IEC61000-4-5
Injected RF	IEC61000-4-6
Mains interruption	IEC61000-4-11
Immunity	EN 61547/61047
Safety	EN 61347-2-2
SELV	

Protection and Regulation

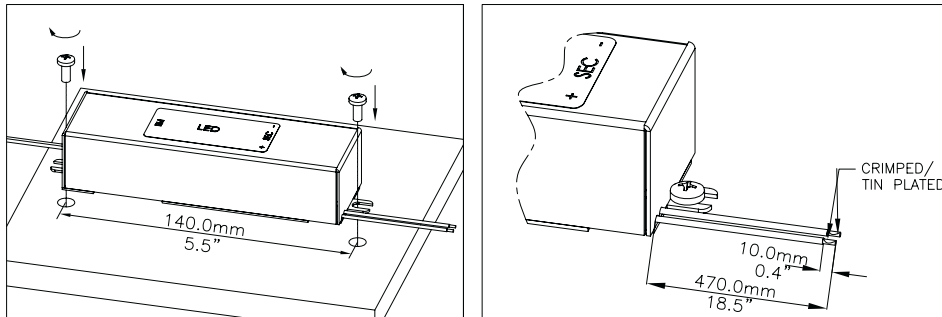
Electronic internal resettable short circuit protection and overload regulation.

See reverse side for more information →



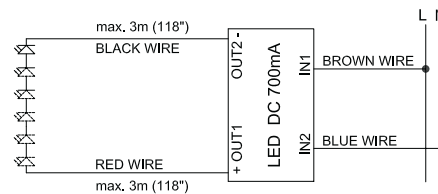
LED-18W DC 700mA P New Version

Mounting Instructions



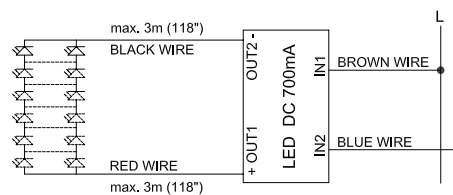
LED 700mA

From 1 to 6 leds
in series.



LED 350mA

From 1 to 6 leds in series.
2 leds in parallel, with or
without crossover.



Safety Instructions:

1. Always disconnect power before installation and/or removal of the unit.
2. Install in accordance with national and local electrical codes.
3. Wires: Input and output wires 0.75mm² or 18 AWG.