

10 9 8 7 6 5 4 3 2 1

NOTES:

1- MATERIAL:

HOUSING: LCP GLASS FILLED UL 94V0 COLOUR: BLACK
 TERMINAL: BRASS PLATED WITH:
 0.00127/.000050 MIN GOLD IN CONTACT AREA,
 0.00190/.000075 MIN PURE TIN IN TAIL AREA,
 BOTH OVER 0.00127/.000050 MIN NICKEL OVERALL.
 SOLDER TABS: BRASS PLATED WITH 0.0020/.000078 MIN TIN.

2- JACK FOR MATING WITH F.C.C.68 PLUGS.
 (MOLEX 90075 SERIES).

3- PRODUCT SPECIFICATION: MOLEX PS-85502-001

4- POLYIMIDE ADHESIVE TAPE FOR PICK & PLACE SURFACE.
 THICKNESS: 125 μm/4921 μ"

5- PACKAGING SPECIFICATION: MOLEX PK-85502.
 (BLISTER PACKAGING).

6- COPLANARITY OF SIGNAL LEADS: 0.10/.004

7- SEE DIMENSIONS IN CHART ON SHEET 2.

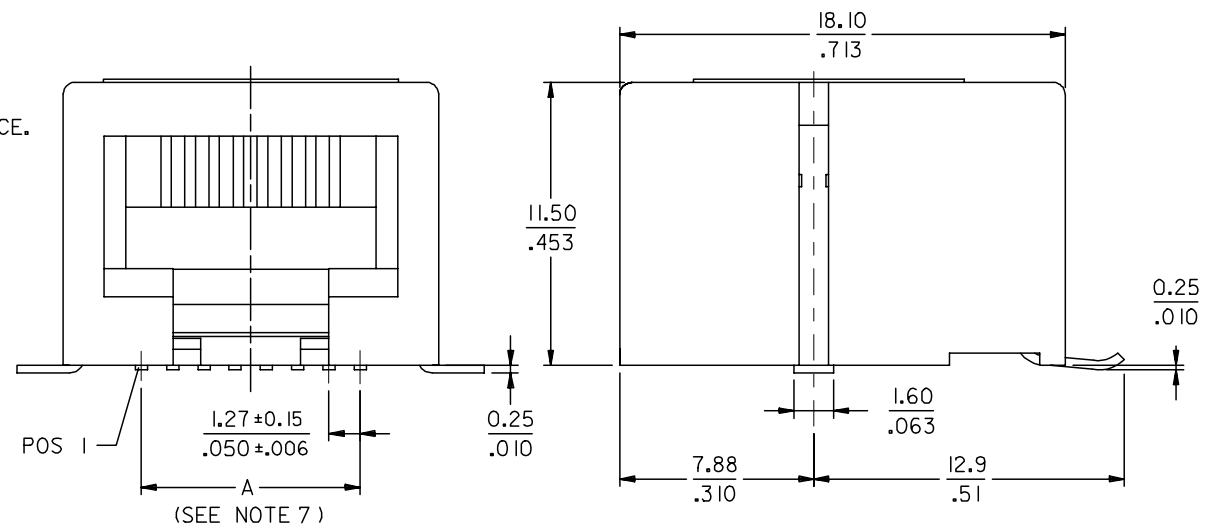
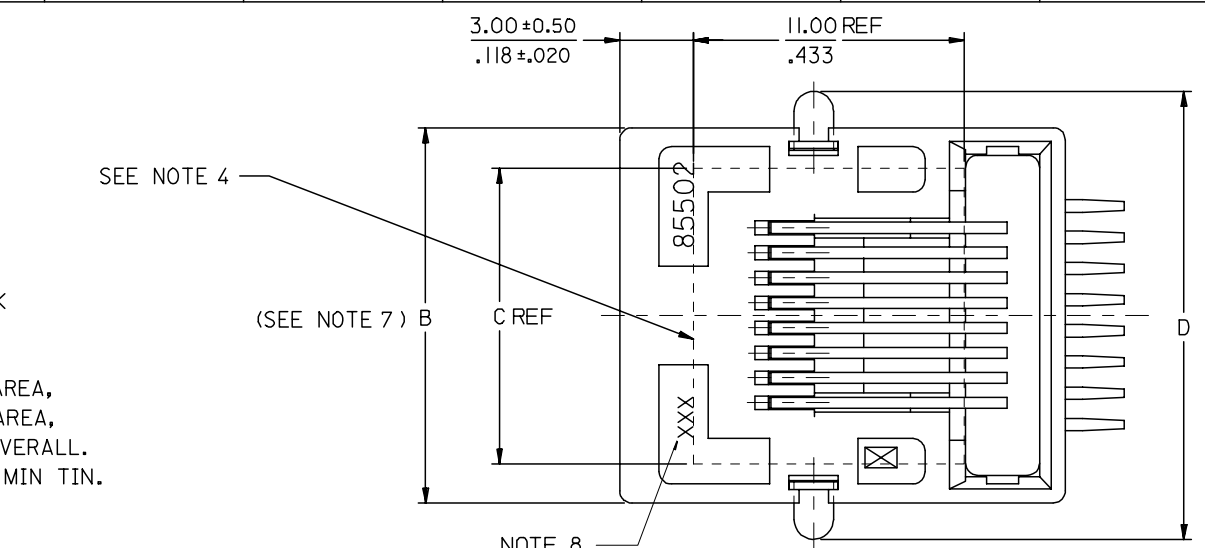
8- MANUFACTURING I.D. CAN BE EITHER MG, MXF OR MXI.

9- APPLICATION SPECIFICATION: AS-85513-001

SEE NOTE 4

(SEE NOTE 7) B

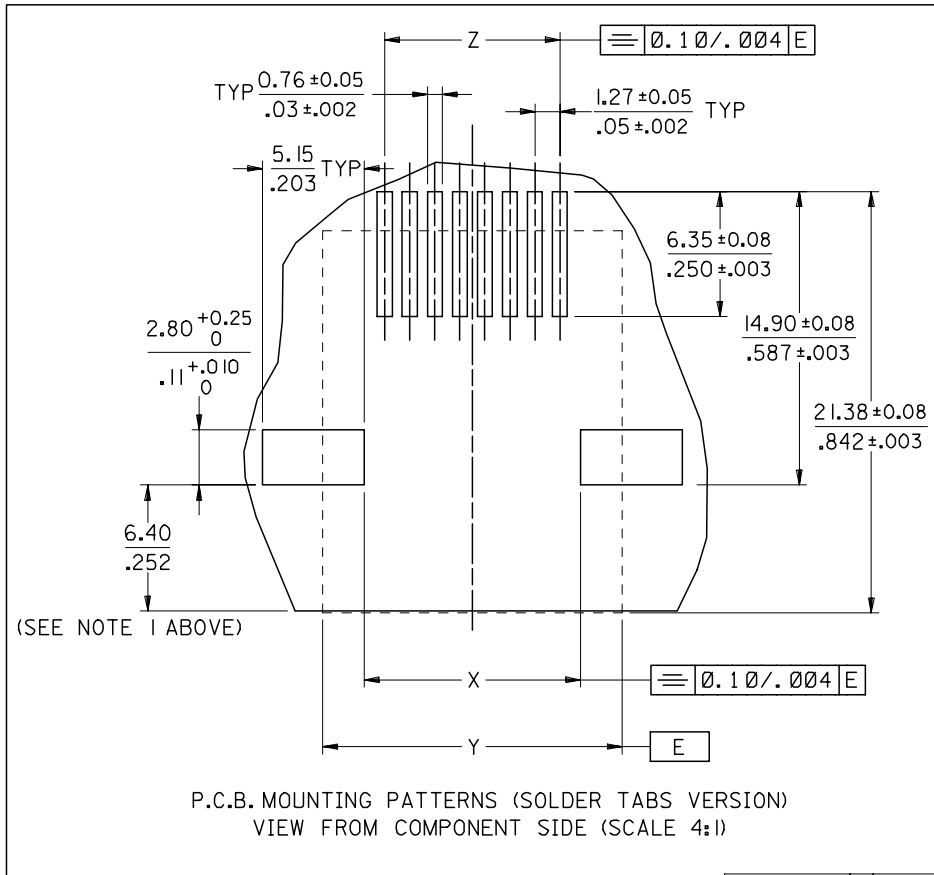
NOTE 8.



MODIFIED MATERIAL EC NO: E2007-0717 DRWN:DBYRNES 2007/02/15 CHKD: 2007/02/15 APPR:EOMAHONY 2007/02/15	QUALITY SYMBOLS	GENERAL TOLERANCES (UNLESS SPECIFIED)	DIMENSION STYLE	SCALE	DESIGN UNITS	THIRD ANGLE PROJECTION															
	$\nabla=0$ $\triangle=0$	<table border="1"> <thead> <tr> <th></th> <th>mm</th> <th>INCH</th> </tr> </thead> <tbody> <tr> <td>4 PLACES</td> <td>± ---</td> <td>± ---</td> </tr> <tr> <td>3 PLACES</td> <td>± ---</td> <td>± .010</td> </tr> <tr> <td>2 PLACES</td> <td>± 0.25</td> <td>± .014</td> </tr> <tr> <td>1 PLACE</td> <td>± 0.35</td> <td>± ---</td> </tr> </tbody> </table>		mm	INCH	4 PLACES	± ---	± ---	3 PLACES	± ---	± .010	2 PLACES	± 0.25	± .014	1 PLACE	± 0.35	± ---	MM/IN	5:1	METRIC	
		mm	INCH																		
	4 PLACES	± ---	± ---																		
3 PLACES	± ---	± .010																			
2 PLACES	± 0.25	± .014																			
1 PLACE	± 0.35	± ---																			
<table border="1"> <thead> <tr> <th>DESCRIPTION</th> <th>DATE</th> </tr> </thead> <tbody> <tr> <td>DRAWN BY</td> <td>2006/06/12</td> </tr> <tr> <td>CHECKED BY</td> <td>DATE</td> </tr> <tr> <td>EOMAHONY</td> <td>2006/06/15</td> </tr> <tr> <td>APPROVED BY</td> <td>DATE</td> </tr> <tr> <td>EOMAHONY</td> <td>2006/06/15</td> </tr> </tbody> </table>	DESCRIPTION	DATE	DRAWN BY	2006/06/12	CHECKED BY	DATE	EOMAHONY	2006/06/15	APPROVED BY	DATE	EOMAHONY	2006/06/15	TITLE R/A LOW PROFILE TRUE SMT 4,6 & 8 CONTACTS PC JACK WITH SIDE SOLDER TABS		MOLEX INCORPORATED						
DESCRIPTION	DATE																				
DRAWN BY	2006/06/12																				
CHECKED BY	DATE																				
EOMAHONY	2006/06/15																				
APPROVED BY	DATE																				
EOMAHONY	2006/06/15																				
DRAFT WHERE APPLICABLE MUST REMAIN WITHIN DIMENSIONS	MATERIAL NO. SEE CHART SHT 2	DOCUMENT NO. SD-85502-101	SHEET NO. 1 OF 2																		

9 8 7 6 5 4 3 2 1

NOTE 1: RECOMMENDED DISTANCE FROM THE PCB'S EDGE



PART NUMBERS FOR TRUE SMT JACK WITH SOLDER TABS								
HOUSING COLOR	POS 4	TOOLED	POS 6	TOOLED	POS 6	TOOLED	POS 8	TOOLED
	4 CKTS		4 CKTS		6 CKTS		8 CKTS	
STANDARD VERSION	BLACK	85502-5005	85502-5006	85502-5007	85502-5008			

TYPE	POS 4	POS 6		POS 8
	4 CKTS	4 CKTS	6 CKTS	8 CKTS
A ±0.15/.006	3.81 / .150	3.81 / .150	6.35 / .250	8.89 / .350
B	11.18 / .440	13.21 / .520	13.21 / .520	15.24 / .600
C (REF)	8.50 / .335	8.50 / .335	8.50 / .335	12.00 / .472
D ±0.35/.014	14.13 / .556	16.16 / .636	16.16 / .636	18.19 / .716
X ±0.10/.004	6.94 / .273	8.97 / .353	8.97 / .353	11.00 / .433
Y (REF)	11.18 / .440	13.21 / .520	13.21 / .520	15.24 / .600
Z ±0.05/.002	3.81 / .150	3.81 / .150	6.35 / .250	8.89 / .350

P.C.B. MOUNTING PATTERNS (SOLDER TABS VERSION)
VIEW FROM COMPONENT SIDE (SCALE 4:1)

SEE SHEET 1
EC NO: E2007-0717
DRWN:DBYRNES 2007/02/15
CHKD: 2007/02/15
APPR:EOMAHONY 2007/02/15

QUALITY SYMBOLS
▽=0
∇=0

GENERAL TOLERANCES (UNLESS SPECIFIED)

	mm	INCH
4 PLACES	± ---	± ---
3 PLACES	± ---	± .010
2 PLACES	± 0.25	± .014
1 PLACE	± 0.35	± ---

ANGULAR ± 2 °

DRAFT WHERE APPLICABLE MUST REMAIN WITHIN DIMENSIONS

DIMENSION STYLE MM/IN

SCALE 5:1

DESIGN UNITS METRIC

THIRD ANGLE PROJECTION

DRAWN BY DB DATE 2006/06/12

CHECKED BY EOMAHONY DATE 2006/06/15

APPROVED BY EOMAHONY DATE 2006/06/15

MATERIAL NO. SEE CHART

DOCUMENT NO. SD-85502-101

SHEET NO. 2 OF 2

R/A LOW PROFILE TRUE SMT 4 & 8 CONTACTS PC JACK WITH SIDE SOLDER TABS

MOLEX INCORPORATED

THIS DRAWING CONTAINS INFORMATION THAT IS PROPRIETARY TO MOLEX INCORPORATED AND SHOULD NOT BE USED WITHOUT WRITTEN PERMISSION