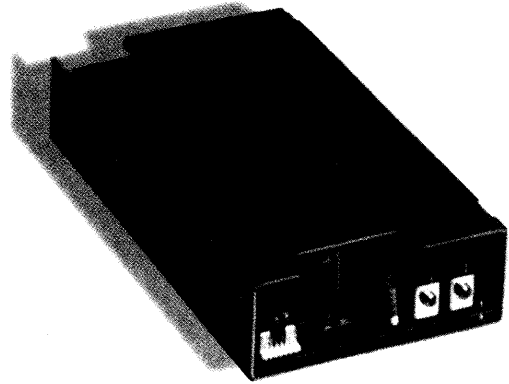


# LPS 250

## 250 WATTS

### LPS 250 Series

Total Power	200 - 250 Watts
Input Voltages	85 - 264 VAC 120 - 370 VDC
# of Outputs	Single



### SPECIAL FEATURES

- Active power factor correction
- IEC EN61000-3-2 compliance
- Remote sense & remote inhibit
- Power fail Signal
- Single wire current sharing
- Built-in EMI filter
- Low output ripple
- 2 Supervisory outputs 5V and 12V
- Overvoltage protection
- Overload protection
- Thermal overload protection
- DC power good
- Cover -C
- Optional top fan cover -CF
- Optional end fan cover -CEF

### ENVIRONMENTAL

Operating temperature: 0° to 50°C ambient  
derate each output at 2.5% per degree from  
50° to 70°C

Electromagnetic susceptibility: designed to  
meet IEC 801,-2, -3, -4, -5, -6, Level 3

Humidity: Operating; non-condensing 5% to  
95%

Vibration: Three orthogonal axes, sweep at  
1 oct/min, 5 min. dwell at four major  
resonances 0.7G peak 5 Hz to 500 Hz,  
operational

Storage temperature: -40° to 85°C

Temperature coefficient: ± .04% per °C

MTBF demonstrated: > 550,000 hours at  
full load and 25°C ambient conditions

### ELECTRICAL SPECIFICATIONS

#### Input

Input range	85 - 264 VAC 120 - 370 VDC
Frequency	47 - 440 Hz
Inrush current	20 A max, cold start @ 25°C
Efficiency	75% typical at full load
EMI filter	FCC Class B conducted and radiated CISPR 22 Class B conducted and radiated EN55022 Class B conducted and radiated VDE 0878 PT3 Class B conducted and radiated VDE
Power factor	0.99 typical
Safety ground leakage current	< 0.5mA @ 50/60Hz, 264 VAC input

#### Output

Maximum power	With cover: 250W with 30 CFM forced air. (-C) (-CF) (CEF) Without cover: 200W with 30 CFM forced air.
Adjustment range	± 5% minimum
Supervisory output	5V @ 100 mA regulated; 12V @ 500mA
Hold-up time	20 ms at 250 watt load and 115 VAC nominal line
Overload protection	Short circuit protection on all outputs. Case overload protected @ 110% to 145% above peak rating
Overvoltage protection	5V output: 5.7 to 6.7 VDC. Other outputs 10% to 25% above nominal output
Remote Sense	Compensates for 0.5V drop. Protected against reverse connection. Unit reverts to internal sense if not used

#### Logic Control

Power failure	TTL logic signal goes high 50 - 150msec after 5V output. It goes low at least 4 msec before loss of regulation
Remote on/off	Requires an external contact (N.O or N.C) to inhibit outputs
DC OK	TTL logic goes high 50-150 msec after 5V output. It goes low when there is loss of regulation.

### SAFETY

<b>VDE</b>	0805/EN60950 (IEC950)	11774-3336-1262
<b>UL</b>	UL1950	E132002
<b>CSA</b>	CSA 22.2-234 Level 5	LR53982C
<b>NEMKO</b>	EN 60950/EMKO-TUE (74-sec) 203	P95103843
<b>BABT</b>	EN60950/BS7002	PS/606027
<b>CB</b>	Certificate and report	2241
<b>CE</b>	Mark	



LPS250

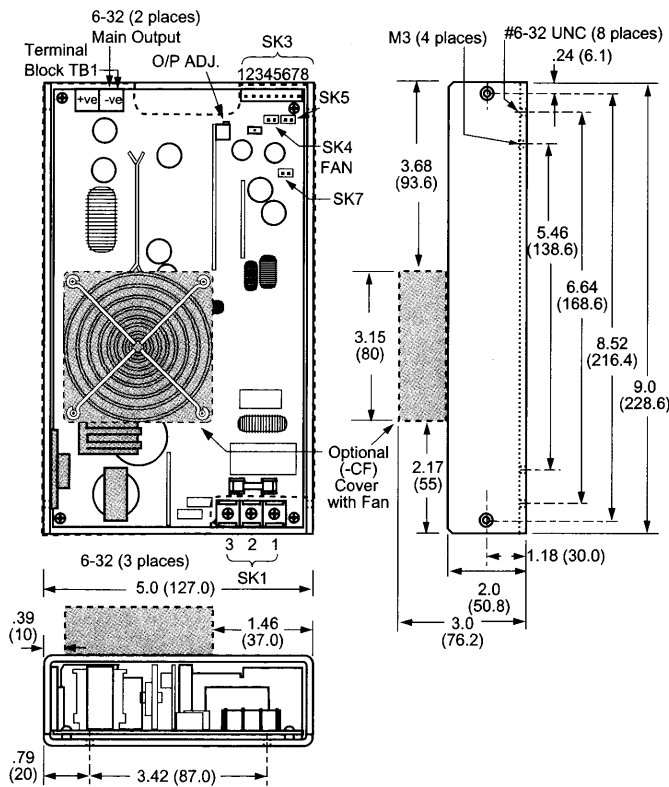
5.0 (12)

## ORDERING INFORMATION

Model Number	Output Voltage	Minimum Load	Maximum Load with 30 CFM Forced Air	Peak Load <sup>1</sup>	Regulation <sup>2</sup>	Ripple P/P (PARD) <sup>3</sup>
LPS252-C	5V (3-6 V)	1.50 A	50 A	60 A	± 2%	50 mV
LPS253-C	12V (6-12 V)	0.63 A	21 A	25 A	± 2%	120 mV
LPS254-C	15V (12-24 V)	0.50 A	16.7 A	20 A	± 2%	150 mV
LPS255-C	24V (24-48 V)	0.32 A	10.4 A	12.5 A	± 2%	240 mV

1. Peak current lasting < 30 seconds with a maximum 10% duty cycle.
  2. At 25°C including initial tolerance, line voltage, load currents and output voltages adjusted to factory settings.
  3. Peak-to-peak with 20 MHz bandwidth and 10 μF in parallel with a 0.1 μF capacitor at rated line voltage and load ranges.
- Note: -CF suffix added to the model number indicates cover with top fan. -CEF suffix added to the model number indicates cover with dual end mounted fan cover and AC inlet.

## DIMENSIONS



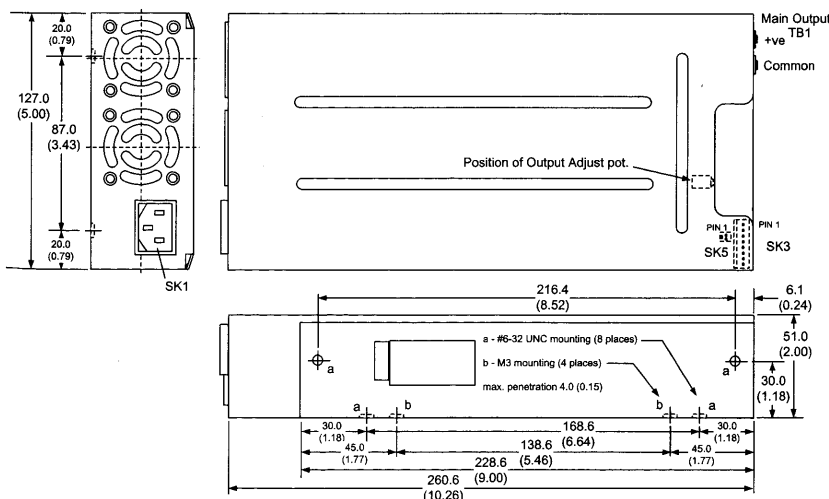
## PIN ASSIGNMENTS

Connector	Pin	Assignment
SK1	PIN 1	Neutral
	PIN 2	Line
	PIN 3	Ground
TB1	+ve	+ Output
	-ve	- Common
SK3	PIN 1	+ Remote sense
	PIN 2	- Remote sense
	PIN 3	Remote inhibit (N.O)
	PIN 4	Remote inhibit (N.C)
	PIN 5	Common
	PIN 6	Current sharing
	PIN 7	Power Fail
	PIN 8	DC Power Good
SK4, SK7	Fan's power source (12V @ 500 mA)	
SK5	Supervisory output supply (5V @ 100mA)	

### Mating Connectors

SK3	Molex 22-01-2085 Pins: 08-50-0114
SK4	Molex 22-01-2025 Pins: 08-50-0114
SK5	Molex 22-01-2025 Pins: 08-50-0114
SK7	Molex 22-01-2025 Pins: 08-50-0114

### Optional (-CEF) cover with end fans



## NOTES

1. Specifications subject to change without notice.
2. All dimensions are in inches and (mm), tolerance is ± .02".
3. To enable normally closed remote inhibit, cut jumper J1.
4. Mounting maximum insertion depth is 0.15".
5. Warranty: 1 year
6. Weight: 2.6 lb / 1.19 kg