

DWG. NO. SD-2759*

F

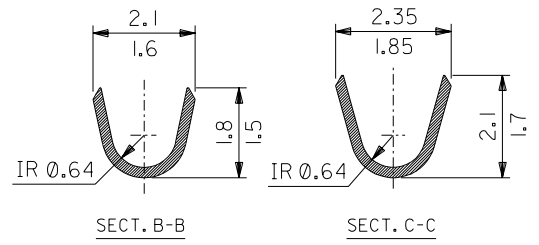
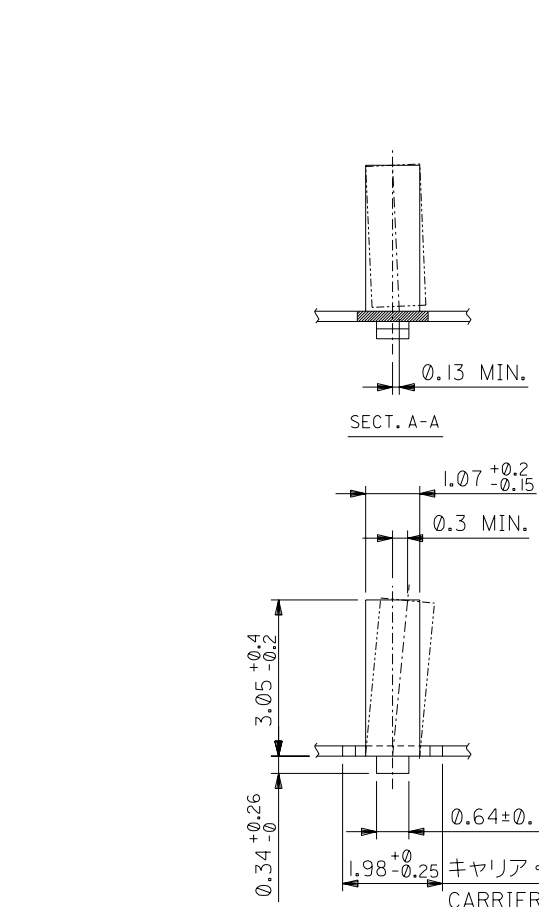
D

V

C

B

DO NOT SCALE DRAWING



注) NOTE.
 1. 芯スレ 0.13最大
 DIM 1.98 (+0/-0.25) TO BE SYMMETRICAL
 WITHIN 0.13 T.I.R

39-00-0381	2759PBGL	バラ状 LOOSE	ニ:2.0UMIN. AU:0.35UMIN.	リン 青銅 PHOS BRO.
39-00-0380	PBG	連鎖状 CHAIN		
39-00-0379	G5L	バラ状 LOOSE	ニ:2.0UMIN. AU:0.5UMIN.	黄銅 BRASS
39-00-0378	G5	連鎖状 CHAIN		
39-00-0377	GL	バラ状 LOOSE	ニ:2.0UMIN. AU:0.35UMIN.	
39-00-0376	2759G	連鎖状 CHAIN		
EDP.NO.	ENG.NO.	端子形状 FORM	メッキ仕様 FINISH	材質 MATL

表6 NO. DRWN: CH'K: APPR: 表7 NO. DRWN: CH'K: APPR: 表8 NO. DRWN: CH'K: APPR:	REVISED 表9 NO. J2004-3591 DRWN: A.IDA CH'K: H.TAKASE APPR: YO.IITO	REVISED 表10 NO. J2002-2529 DRWN: T.ASAKAWA CH'K: K.ASAKAWA APPR: T.YAMAGUCHI	REDRAWN 表11 NO. JC2000-0628 DRWN: K.KOHAMA CH'K: T.YAMAGUCHI APPR: M.FUKUSHIMA	MATERIAL 材料 表参照 板厚: 0.203 SEE TABLE 0.203 THK	GENERAL TOLERANCES: (UNLESS SPECIFIED) 一般公差 10 UNDER 未満 ±0.2 10 OVER 30 UNDER 未満 ±0.25 30 OVER 以上 ±0.3	SCALE 10:1 DESIGN UNITS <input checked="" type="checkbox"/> mm <input type="checkbox"/> INCH 20° 3RD ANGLE PROJECTION <input type="checkbox"/> mm <input type="checkbox"/> INCH <input checked="" type="checkbox"/> mm ONLY	DRAWN BY & DATE K.KOHAMA '00/3/28 CHECKED BY & DATE K.ASAKAWA '02/04/08 APPROVED BY & DATE T.YAMAGUCHI '02/04/08	TITLE: MINI. KK. CRIMP TYPE TERM.	SHT REV 22 INCH ON CAD ONLY		
										WIRE RANGE 適用線径範囲 AWG#22-#28	ANGLE 角度 ±3°
INS. RANGE 被覆外径 φ(1.2)-φ1.7								22888 DRAWING CONTAINS INFORMATION THAT IS PROPRIETARY TO MOLEX INCORPORATED AND SHOULD NOT BE USED WITHOUT WRITTEN PERMISSION.			SIZE B