

DWG. NO. SD-35362-002

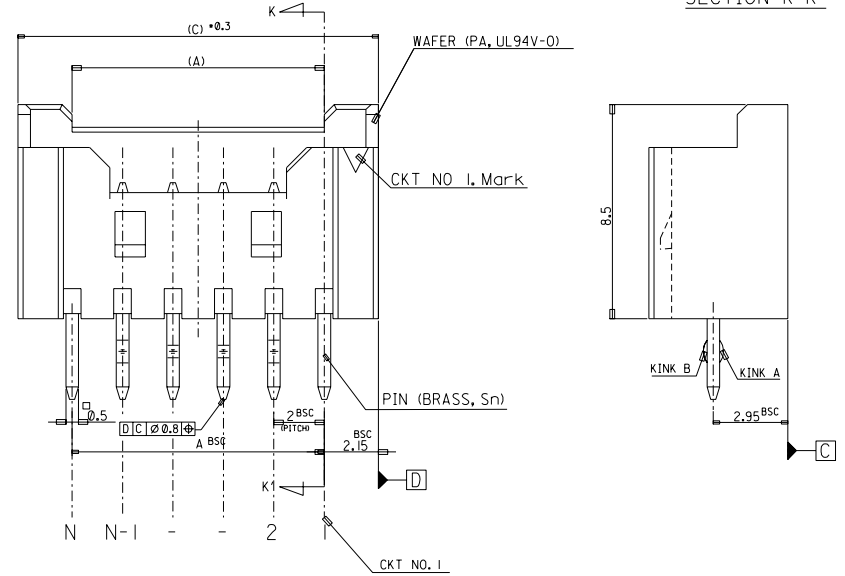
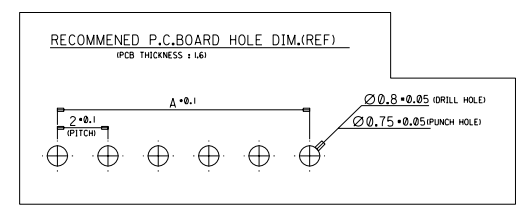
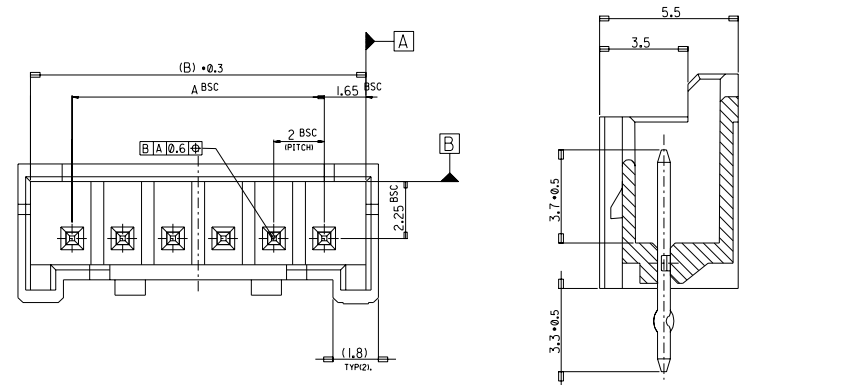
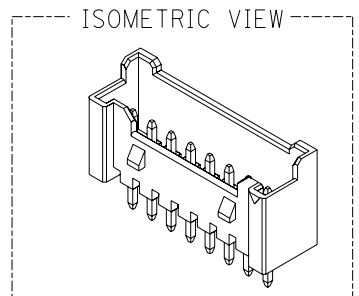
SIMILAR ITEM

PROJECT NO.

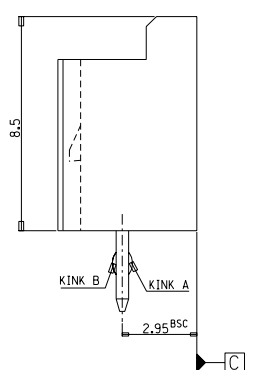
C

B

DO NOT SCALE DRAWING
DIMENSION IN METRIC



SECTION K-K'



LEGEND

SD-35362-****

CTK NO. _____ COLOR _____

FINAL GOOD (BULK) 5 : SELECTIVE KINK (LEAD FREE)
6 : NONE KINK (LEAD FREE)

SUB ASSY (TUBE) 7 : SELECTIVE KINK (LEAD FREE)
8 : NONE KINK (LEAD FREE)

0 : NATURAL
1 : BLACK
2 : RED
3 : YELLOW
4 : BLUE
5 : GREEN
6 : TUBE PACKING (Natural Color)
7 : TUBE PACKING (Red Color)
8 : TUBE PACKING (Blue Color)

NOTES

- MATERIAL : WAFER : POLYAMIDE(PA), NO GLASS, UL94V-0
PIN : BRASS
- FINISHES : TERMINAL : Sn 2+3um OVERALL
- PRODUCT SPECIFICATION : PS-35507-003
- MATING HOUSING : 35507-***0*
MATING TERMINAL : 50212-8000
- KINK

CKT NO	1	2	3	4	5	N-2	N-1	N
6 CKT OVER	-	A	B	-	-	B	A	-
5 CKT	A	B	-	B	A			
4 CKT	A	B	B	A				

32.3	31.3	28	3536215**	35362-15**	15
30.3	29.3	26	3536214**	35362-14**	14
28.3	27.3	24	3536213**	35362-13**	13
26.3	25.3	22	3536212**	35362-12**	12
24.3	23.3	20	3536211**	35362-11**	11
22.3	21.3	18	3536210**	35362-10**	10
20.3	19.3	16	3536209**	35362-09**	9
18.3	17.3	14	3536208**	35362-08**	8
16.3	15.3	12	3536207**	35362-07**	7
14.3	13.3	10	3536206**	35362-06**	6
12.3	12.3	8	3536205**	35362-05**	5
10.3	9.3	6	3536204**	35362-04**	4
(C)	(B)	A	ENG. NO.	ENG. NO.	CKT

LEAD FREE

30 over	±0.3
10 over 30 under	±0.25
10 under	±0.2
ANGLE	±3°
GENERAL TOLERANCE	A

RELEASE EC NO. KOR2004-0137
DRAWN: YSOOKIM 04/02/24
CHK: JKOH
APPR: CWLEE

MAJOR =
CRITICAL =

QUALITY SYMBOLS

GENERAL TOLERANCES: (UNLESS SPECIFIED)

	mm	INCH
4 PLACES	±0.	±.
3 PLACES	±0.	±.
2 PLACES	±0.	±.
1 PLACE	±0.	±.

ANGULAR: ±

DRAFT WHERE APPLICABLE MUST REMAIN WITHIN DIMENSIONS

SCALE 1:1 DESIGN UNITS mm INCH

DRAWN BY & DATE YSOOKIM 96/09/11
CHECKED BY & DATE J.K.Oh
APPROVED BY & DATE C.W.Lee

CAD FILENAME SD-35362-002.DGN

THIRD ANGLE PROJECTION mm INCH INCH mm ONLY

TITLE: NEW 2.0 W/B CONN
WAFER ASSY (ST) (LEAD FREE)

MOLEX INCORPORATED

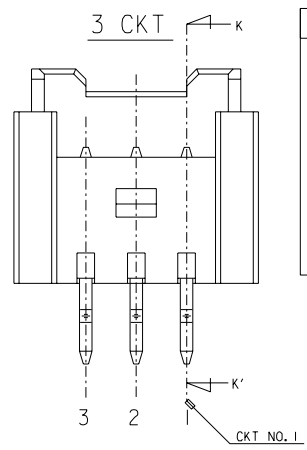
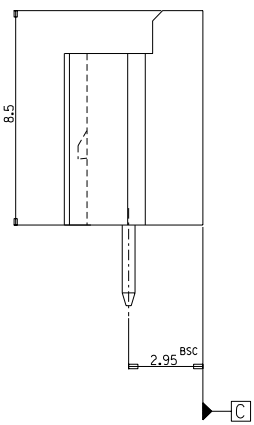
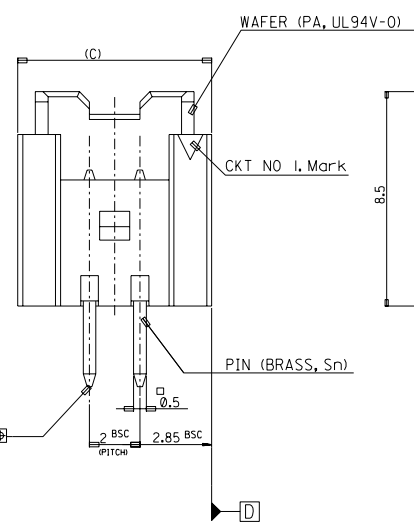
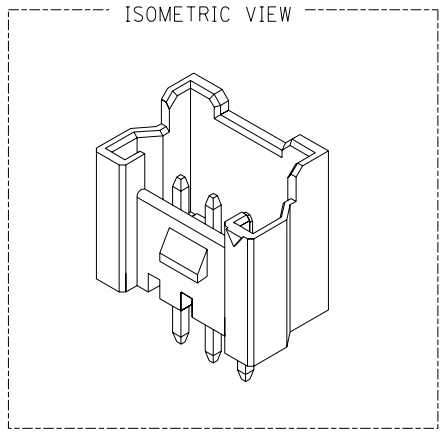
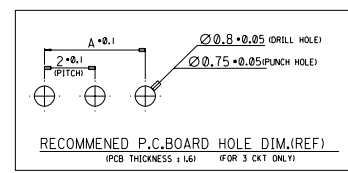
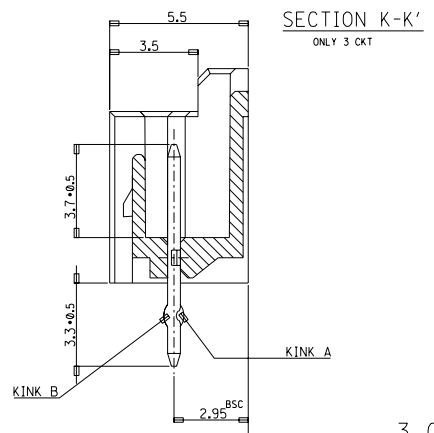
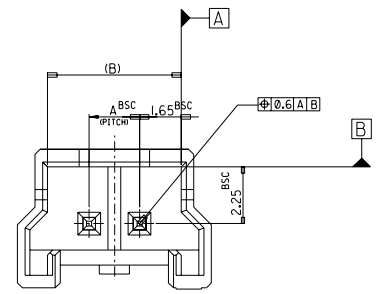
CAD FILENAME SD-35362-002.DGN MATERIAL NO. SEE NOTE DRAWING NO. SD-35362-002 SHEET NO. 1 of 3

THIS DRAWING CONTAINS INFORMATION THAT IS PROPRIETARY TO MOLEX INCORPORATED AND SHOULD NOT BE USED WITHOUT WRITTEN PERMISSION.

SIZE B

DWG. NO. SD-35362-002
 SIMILAR ITEM
 PROJECT NO.
 C
 B
 DO NOT SCALE DRAWING
 DIMENSION IN METRIC

FOR 2 & 3 CKTS.



LEGEND

SD-35362-****
 CKT NO. _____ COLOR _____

- 0 : NATURAL
- 1 : BLACK
- 2 : RED
- 3 : YELLOW
- 4 : BLUE
- 5 : GREEN
- 6 : TUBE PACKING (Natural Color)
- 7 : TUBE PACKING (Red Color)
- 8 : TUBE PACKING (Blue Color)

FINAL GOOD (BULK)

- 5 : SELECTIVE KINK (LEAD FREE)
- 6 : NONE KINK (LEAD FREE)

SUB ASSY (TUBE)

- 7 : SELECTIVE KINK (LEAD FREE)
- 8 : NONE KINK (LEAD FREE)

- NOTES**
- MATERIAL : WAFER : POLYAMIDE(PA), NO GLASS, UL94V-0
PIN : BRASS
 - FINISHES : TERMINAL : Sn 2*3um OVERALL
 - PRODUCT SPECIFICATION : PS-35507-003
 - MATING HOUSING : 35507-**-0*
MATING TERMINAL : 50212-8000
 - KINK

	CKT NO	1	2	3
CKT				
2 CKT		NONE KINK		
3 CKT		A	B	A

9.7	7.3	4	3536203**	35362-03**	3
7.7	5.3	2	3536202**	35362-02**	2
(C)	(B)	A	MATERIAL NO.	ENG. NO.	CKT

LEAD FREE

30 over	+0.3
10 over 30 under	±0.25
10 under	±0.2
ANGLE	±3°
GENERAL TOLERANCE	A

RELEASE
 EC NO. KOR2004-0137
 DRWN: YSOOKIM 04/02/24
 CHK: JKOH
 APPR: CWLEE

QUALITY SYMBOLS
 MAJOR =
 CRITICAL =

GENERAL TOLERANCES: (UNLESS SPECIFIED)

	mm	INCH
4 PLACES	±0.	±.
3 PLACES	±0.	±.
2 PLACES	±0.	±.
1 PLACE	±0.	±.

ANGULAR: ±

DRAFT WHERE APPLICABLE MUST REMAIN WITHIN DIMENSIONS

SCALE 1:1
 DESIGN UNITS mm INCH
 THIRD ANGLE PROJECTION THIRD ANGLE FIRST ANGLE
 DRAWN BY & DATE
 YSOOKIM 96/09/11
 CHECKED BY & DATE
 J.K.Oh
 APPROVED BY & DATE
 C.W.Lee
 CAD FILENAME
 SD35362-002S2.DGN

TITLE: NEW 2.0 W/B CONN
 WAFER ASSY (ST) (LEAD FREE)

MOLEX INCORPORATED

MATERIAL NO. SEE NOTE
 DRAWING NO. SD-35362-002
 SHEET NO. 2 of 3

THIS DRAWING CONTAINS INFORMATION THAT IS PROPRIETARY TO MOLEX INCORPORATED AND SHOULD NOT BE USED WITHOUT WRITTEN PERMISSION.

SIZE B

DWG. NO. SD-35362-002

SIMILAR ITEM

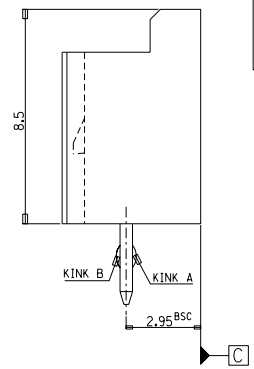
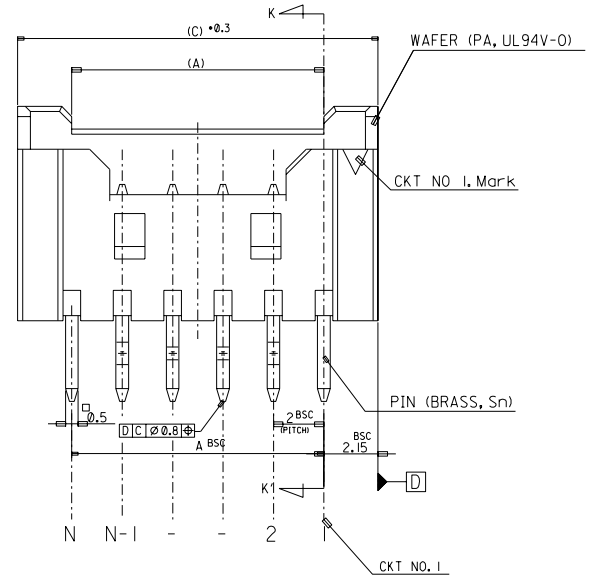
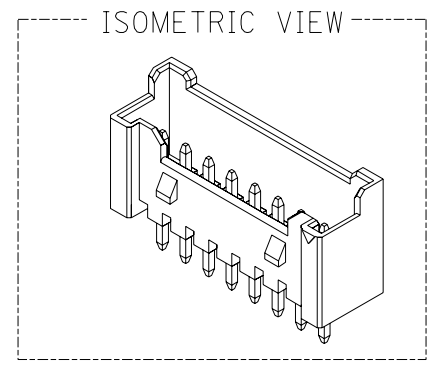
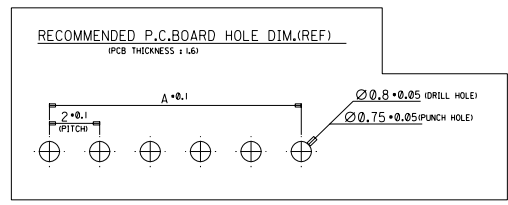
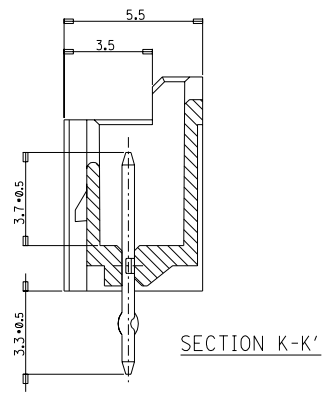
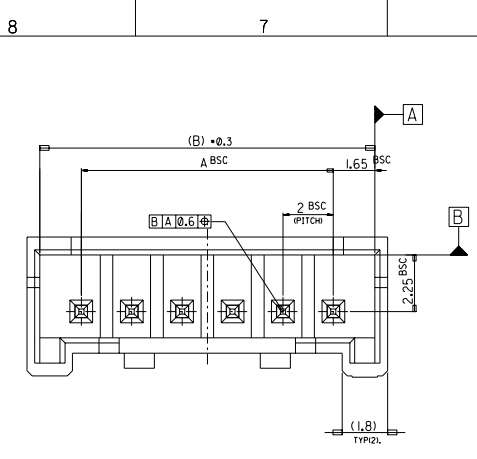
PROJECT NO.

C

B

DO NOT SCALE DRAWING
DIMENSION IN METRIC

LEAD FREE



LEGEND

SD-35362-****
CKT NO. _____ COLOR _____

FINAL GOOD (BULK) — 5 : SELECTIVE KINK (LEAD FREE)
6 : NONE KINK (LEAD FREE)

SUB ASSY (TUBE) — 7 : SELECTIVE KINK (LEAD FREE)
8 : NONE KINK (LEAD FREE)

0 : NATURAL
1 : BLACK
2 : RED
3 : YELLOW
4 : BLUE
5 : GREEN
6 : TUBE PACKING (Natural Color)
7 : TUBE PACKING (Red Color)
8 : TUBE PACKING (Blue Color)

- NOTES**
1. MATERIAL : WAFER : POLYAMIDE(PA), NO GLASS, UL94V-0
PIN : BRASS
 2. FINISHES : TERMINAL : Sn $2 \pm 3 \mu m$ OVERALL
 3. PRODUCT SPECIFICATION : PS-35507-003
 4. MATING HOUSING : 35507-**-0*
MATING TERMINAL : 50212-8000
 5. KINK

CKT	CKT NO	1	2	3	-	-	N-2	N-1	N
16+20	CKT	-	A	B	-	-	B	A	-

42.3	41.3	38	3536220**	35362-20**	20
40.3	39.3	36	3536219**	35362-19**	19
38.3	37.3	34	3536218**	35362-18**	18
36.3	35.3	32	3536217**	35362-17**	17
34.3	33.3	30	3536216**	35362-16**	16
(C)	(B)	A	MATERIAL NO.	ENG. NO.	CKT

30 over	± 0.3
10 over 30 under	± 0.25
10 under	± 0.2
ANGLE	$\pm 3^\circ$
GENERAL TOLERANCE	A

RELEASE
EC NO. KOR2004-0137
DRWN: YSOOKIM 04/02/24
CHK: J.KOH
APPR: CWLEE

MAJOR
CRITICAL

DESCRIPTION

REV

QUALITY SYMBOLS

GENERAL TOLERANCES: (UNLESS SPECIFIED)

	mm	INCH
4 PLACES	$\pm 0.$	$\pm .$
3 PLACES	$\pm 0.$	$\pm .$
2 PLACES	$\pm 0.$	$\pm .$
1 PLACE	$\pm 0.$	$\pm .$

ANGULAR: \pm

DRAFT WHERE APPLICABLE MUST REMAIN WITHIN DIMENSIONS

SCALE 1:1

DESIGN UNITS mm INCH

THIRD ANGLE PROJECTION

DIMENSIONS: mm INCH mm ONLY

SHT REV

REVISE ON CAD ONLY

TITLE: NEW 2.0 W/B CONN
WAFER ASSY (ST) (LEAD FREE)

MOLEX MOLEX INCORPORATED

CAD FILENAME: SD35362-002S3.DGN

MATERIAL NO. SEE NOTE

DRAWING NO. SD-35362-002

SHEET NO. 3 of 3

SIZE B

THIS DRAWING CONTAINS INFORMATION THAT IS PROPRIETARY TO MOLEX INCORPORATED AND SHOULD NOT BE USED WITHOUT WRITTEN PERMISSION.

DWG. NO.
SD-35362-003

SIMILAR ITEM

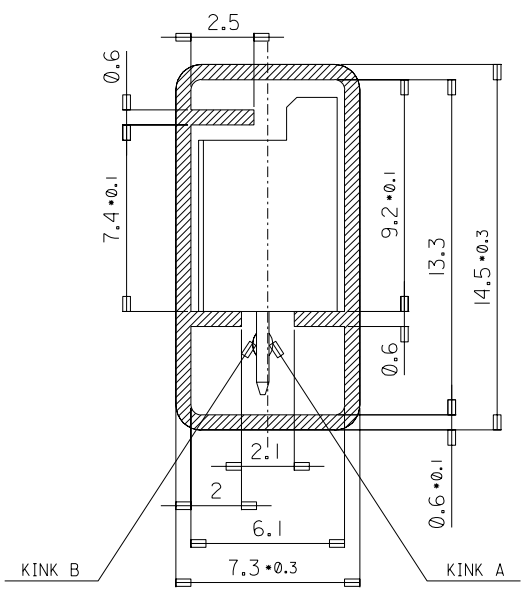
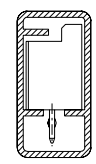
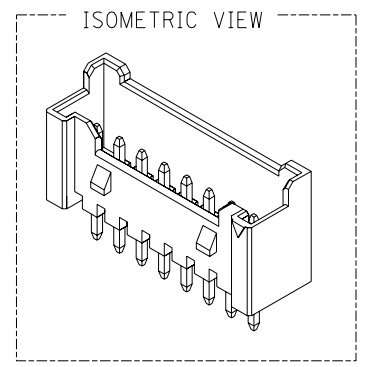
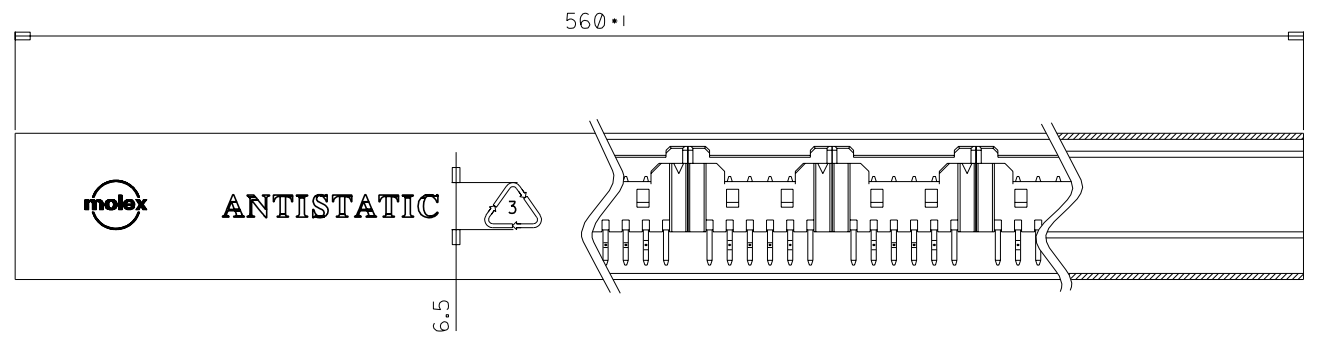
PROJECT NO.

C

B

DO NOT SCALE DRAWING
DIMENSION IN METRIC

8 7 6 5 4 3 2 1



LEGEND.

2-20 Circuits - **CKT NO.**

Final GOOD (Bulk) 5 : SELECTIVE KINK
6 : NONE KINK

Sub Assy (Tube) 7 : SELECTIVE KINK
8 : NONE KINK

COLOR & PACKING

0 : NATURAL
1 : BLACK
2 : RED
3 : YELLOW
4 : BLUE
5 : GREEN
6 : TUBE PACKING (Natural Color)
7 : TUBE PACKING (RED Color)
8 : TUBE PACKING (BLUE Color)

NOTES

- MATERIAL : TUBE - TRANSLUCENT P.V.C (P-1000)
Wafer - POLYAMIDE, UL94V-0
PIN - BRASS SQ 0.5mm
- BOW(CAMBER) : 1.0mm MAX/Total Length
- DIMENSIONS GIVEN ACROSS CENTER LINES ARE SYMMETRICAL ABOUT THOSE CENTER LINES WITH HALF THE TOTAL LENGTH.
- TOTAL TUBE LENGTH : 560mm ± 1mm
- TWIST : 5° MAX./Total Length
- BURRS : 0.2mm MAX.
- SKREW : PRODUCTS MUST BE FLOWED SMOOTHLY WHEN THIS STICK IS PLACES 30° ANGLE.
- THICKNESS : 0.6mm ± 0.1mm
- ARTWORK : PER E-35900-0434 (SILK SCREEN COLOR : RED)
- APPLICABLE STOPPER(RUBBER) : 35900-0435

TABLE

10	20**	-20**	20
10	19**	-19**	19
10	18**	-18**	18
10	17**	-17**	17
15	16**	-16**	16
15	15**	-15**	15
15	14**	-14**	14
15	13**	-13**	13
15	12**	-12**	12
20	11**	-11**	11
20	10**	-10**	10
25	09**	-09**	9
25	08**	-08**	8
30	07**	-07**	7
35	06**	-06**	6
40	05**	-05**	5
50	04**	-04**	4
60	03**	-03**	3
70	3536202**	35362-02**	2
QTY	Material NO.	ENG. NO.	CKT

KINK TABLE(FOR 35362-****)

CKT NO	1	2	3	4	5	N-2	N-1	N
6 CKT OVER	-	A	B	-	-	B	A	-
5 CKT	A	B	-	B	A			
4 CKT	A	B	B	A				
3 CKT	A	B	A					
2 CKT	None Kink							

RELEASED EC NO. KOR2004-0137 DRWN: YSOOKIM 04/02/25 CHK: YUNSIKKIM APPR: C.W.LEE	QUALITY SYMBOLS MAJOR CRITICAL	GENERAL TOLERANCES: (UNLESS SPECIFIED)	SCALE 5 : 1	DESIGN UNITS <input checked="" type="checkbox"/> mm <input type="checkbox"/> INCH	THIRD ANGLE PROJECTION	DIMENSIONS: <input type="checkbox"/> mm <input type="checkbox"/> INCH <input checked="" type="checkbox"/> mm ONLY	SHT	REV
			DRAWN BY & DATE Y.SOO.Kim 00/12/11	CHECKED BY & DATE J.K.OH	TITLE: TUBE PACKAGING FOR 35362-****(LEAD FREE)			
A	DESCRIPTION REV	DRAFT WHERE APPLICABLE MUST REMAIN WITHIN DIMENSIONS	ANGULAR: ± 1°		CAD FILENAME SD35362-003.DGN		MATERIAL NO. SD-35362-003	
			THIS DRAWING CONTAINS INFORMATION THAT IS PROPRIETARY TO MOLEX INCORPORATED AND SHOULD NOT BE USED WITHOUT WRITTEN PERMISSION.		MOLEX MOLEX INCORPORATED		SHEET NO. 1 of 1	SIZE B

LEAD FREE

8 7 6 5 4 3 2 1 MX-A3