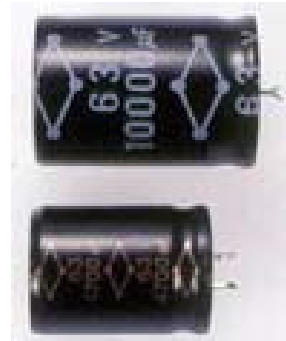


# multicomp PCB SNAP-IN LARGE SIZE CAPACITORS

## LPR series

### Snap-In Large Size Capacitors

- LPR series large size capacitors with the specially designed terminals have "self-standing" and can be directly soldered to printed circuit boards without holders.
- They are easily to fixing to printed circuit boards due to the specially designed terminals.



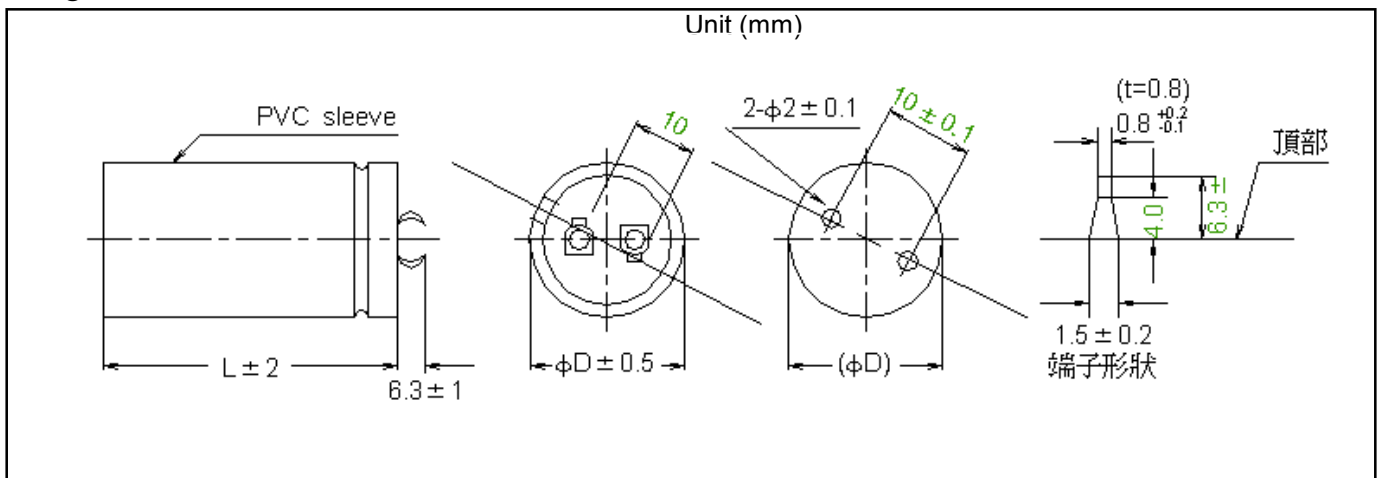
### specifications

No.	Item	Performance																																																					
1	Operating Temperature Range	-40 to+85°c	-25 to+85°c																																																				
2	Rated Working Voltage Range	10 - 100v.DC	160 - 450v.DC																																																				
3	Nominal Capacitance Range	470 - 68000µF	47 - 2700µF																																																				
4	Capacitance Tolerance	±20% (at+20°c ,120Hz)																																																					
5	Leakage Current	I=0.02CV or 3000(µA) max ( Whichever is greater after 3 minutes). I : Leakage Current (µA) C: Rated Capacitance (µF) V: Working Voltage(v)																																																					
6	Dissipation Factor(tanδ) (120Hz\+20°c)	<table border="1"> <thead> <tr> <th>W. V. µF</th> <th>10-16</th> <th>25-35</th> <th>50-63</th> <th>80-100</th> <th>160-250</th> <th>315-450</th> </tr> </thead> <tbody> <tr> <td>47-330</td> <td></td> <td></td> <td></td> <td></td> <td>0.15</td> <td>0.20</td> </tr> <tr> <td>470-3300</td> <td>0.25</td> <td>0.20</td> <td>0.20</td> <td>0.20</td> <td>0.15</td> <td>0.20</td> </tr> <tr> <td>4700-6800</td> <td>0.35</td> <td>0.30</td> <td>0.30</td> <td>0.25</td> <td></td> <td></td> </tr> <tr> <td>10000-22000</td> <td>0.40</td> <td>0.35</td> <td>0.30</td> <td></td> <td></td> <td></td> </tr> <tr> <td>27000-47000</td> <td>0.45</td> <td>0.40</td> <td>0.35</td> <td></td> <td></td> <td></td> </tr> <tr> <td>56000-68000</td> <td>0.50</td> <td>0.45</td> <td></td> <td></td> <td></td> <td></td> </tr> </tbody> </table> <p>Less than the value under table</p>					W. V. µF	10-16	25-35	50-63	80-100	160-250	315-450	47-330					0.15	0.20	470-3300	0.25	0.20	0.20	0.20	0.15	0.20	4700-6800	0.35	0.30	0.30	0.25			10000-22000	0.40	0.35	0.30				27000-47000	0.45	0.40	0.35				56000-68000	0.50	0.45				
W. V. µF	10-16	25-35	50-63	80-100	160-250	315-450																																																	
47-330					0.15	0.20																																																	
470-3300	0.25	0.20	0.20	0.20	0.15	0.20																																																	
4700-6800	0.35	0.30	0.30	0.25																																																			
10000-22000	0.40	0.35	0.30																																																				
27000-47000	0.45	0.40	0.35																																																				
56000-68000	0.50	0.45																																																					
7	Characteristics at low temperature (stability at 120 Hz)	Impedance ratio at 100Hz Z -25°c/Z 20°c: 3 max. Z -40°c/Z 20°c: 12 max.																																																					
8	Ripple Current	Correction factor for frequency.																																																					
		<table border="1"> <thead> <tr> <th>Ambient Temp.</th> <th>Multiplying Factor</th> </tr> </thead> <tbody> <tr> <td>45°c&amp; under</td> <td>1.55</td> </tr> <tr> <td>60°c</td> <td>1.30</td> </tr> <tr> <td>70°c</td> <td>1.20</td> </tr> <tr> <td>85°c</td> <td>1.00</td> </tr> </tbody> </table>					Ambient Temp.	Multiplying Factor	45°c& under	1.55	60°c	1.30	70°c	1.20	85°c	1.00																																							
Ambient Temp.	Multiplying Factor																																																						
45°c& under	1.55																																																						
60°c	1.30																																																						
70°c	1.20																																																						
85°c	1.00																																																						

# LPR series Snap-In Large Size Capacitors specifications

No.	Item	Performance																																		
8	Ripple Current	<p>Correction factor for frequency.</p> <table border="1"> <thead> <tr> <th rowspan="2">Frequency</th> <th colspan="4">Multiplying Factor</th> </tr> <tr> <th>10-35V</th> <th>50-100V</th> <th>160-250V</th> <th>315-450V</th> </tr> </thead> <tbody> <tr> <td>60Hz</td> <td>0.90</td> <td>0.90</td> <td>0.80</td> <td>0.90</td> </tr> <tr> <td>120Hz</td> <td>1.00</td> <td>1.00</td> <td>1.00</td> <td>1.00</td> </tr> <tr> <td>1kHz</td> <td>1.05</td> <td>1.15</td> <td>1.35</td> <td>1.30</td> </tr> <tr> <td>10kHz</td> <td>1.10</td> <td>1.20</td> <td>1.45</td> <td>1.40</td> </tr> <tr> <td>100kHz</td> <td>1.10</td> <td>1.20</td> <td>1.50</td> <td>1.45</td> </tr> </tbody> </table>	Frequency	Multiplying Factor				10-35V	50-100V	160-250V	315-450V	60Hz	0.90	0.90	0.80	0.90	120Hz	1.00	1.00	1.00	1.00	1kHz	1.05	1.15	1.35	1.30	10kHz	1.10	1.20	1.45	1.40	100kHz	1.10	1.20	1.50	1.45
Frequency	Multiplying Factor																																			
	10-35V	50-100V	160-250V	315-450V																																
60Hz	0.90	0.90	0.80	0.90																																
120Hz	1.00	1.00	1.00	1.00																																
1kHz	1.05	1.15	1.35	1.30																																
10kHz	1.10	1.20	1.45	1.40																																
100kHz	1.10	1.20	1.50	1.45																																
9	High Temperature Loading	<p>After 2000hrs. application of DC rated working voltage at +85°C, The capacitor shall meet the following limits: Post test requirements at +20°C.</p> <table border="1"> <tbody> <tr> <td>Leakage current</td> <td>≤the Initial specified value</td> </tr> <tr> <td>Capacitance change</td> <td>≤±20% of initial measured value</td> </tr> <tr> <td>Dissipation Factor(tanδ)</td> <td>≤200% of initial specified value</td> </tr> </tbody> </table>	Leakage current	≤the Initial specified value	Capacitance change	≤±20% of initial measured value	Dissipation Factor(tanδ)	≤200% of initial specified value																												
Leakage current	≤the Initial specified value																																			
Capacitance change	≤±20% of initial measured value																																			
Dissipation Factor(tanδ)	≤200% of initial specified value																																			
10	Shelf Life	<p>After 500hrs. application of DC rated working voltage at +85°C, The capacitor shall meet the following limits: Post test requirements at +20°C.</p> <table border="1"> <tbody> <tr> <td>Leakage current</td> <td>≤the Initial specified value</td> </tr> <tr> <td>Capacitance change</td> <td>≤±20% of initial measured value</td> </tr> <tr> <td>Dissipation Factor(tanδ)</td> <td>≤150% of initial specified value</td> </tr> </tbody> </table>	Leakage current	≤the Initial specified value	Capacitance change	≤±20% of initial measured value	Dissipation Factor(tanδ)	≤150% of initial specified value																												
Leakage current	≤the Initial specified value																																			
Capacitance change	≤±20% of initial measured value																																			
Dissipation Factor(tanδ)	≤150% of initial specified value																																			

## Diagram of Dimensions



R.C.: (at 85°C.120Hz)

**Case Size Table & Permissible Ripple Current**

Max ripple current: A (rms)

W. V.	Cap.(μF)	Case Size	R. C.	W. V.	Cap.(μF)	Case Size	R. C.
10 (13)	8,200	20×30	2.40	25 (32)	18,000	25×50	4.70
		22×25	2.45			30×41	4.50
	10,000	20×30	2.70		22,000	25×50	4.95
		25×25	2.60			30×45	6.22
	12,000	20×30	2.80		27,000	30×46	5.90
		22×25	2.70			35×36	6.50
	15,000	22×30	3.15		33,000	30×50	8.95
		30×25	3.00			35×42	8.80
	22,000	22×40	3.80		47,000	35×50	9.00
		30×30	3.45			2,200	22×25
33,000	25×40	5.00	35 (44)	3,300	20×30	2.10	
	35×30	4.90		3,900	22×25	2.05	
47,000	25×50	6.00		4,700	22×30	2.50	
	30×45	6.50			22×30	3.06	
68,000	30×50	6.65		6,800	25×26	2.40	
	20×30	2.20			22×40	3.00	
16 (20)	4,700	22×25		2.30	8,200	26×30	3.57
		20×30		2.45		22×40	3.45
	6,800	22×25		2.40	10,000	25×30	3.25
		20×30		2.75		22×46	3.50
	8,200	22×25	2.70	12,000	30×30	4.58	
		22×25	3.32		25×40	3.85	
	10,000	25×25	2.85	15,000	35×35	3.70	
		22×40	3.30		25×50	4.50	
	12,000	25×26	3.15	18,000	30×40	4.10	
		22×35	4.29		30×46	4.80	
	15,000	25×31	3.55	22,000	35×37	4.60	
		22×40	4.34		30×50	5.70	
	18,000	25×36	4.20	27,000	35×45	7.07	
		22×46	4.25		35×47	5.70	
	22,000	25×36	4.00	33,000	35×60	6.45	
		25×40	6.50		1,500	22×26	1.40
	27,000	30×36	6.30	50 (63)	2,200	22×25	2.30
		25×50	6.50		2,700	25×25	2.00
	33,000	30×40	5.00		3,300	22×31	2.30
		30×46	8.10			22×31	2.50
39,000	35×36	7.50	4,700		25×26	2.40	
	30×50	7.50			22×36	3.00	
47,000	35×45	7.00	5,600		30×25	3.86	
	30×50	10.00			22×40	3.00	
56,000	35×46	9.50	6,800		25×36	2.80	
	35×50	10.05			22×50	3.00	
25 (32)	3,300	20×30	2.05	8,200	25×40	2.85	
		22×25	2.10		25×46	3.60	
	4,700	22×25	2.50	10,000	35×35	3.80	
		25×25	2.30		25×50	3.90	
	5,600	22×31	2.60	12,000	35×35	5.97	
		22×30	3.06		30×50	4.55	
	6,800	25×26	2.70	15,000	35×40	4.35	
		22×40	3.15		30×50	5.30	
	8,200	25×26	3.00	18,000	35×42	4.70	
		22×40	3.45		35×47	5.30	
10,000	30×25	3.99	22,000	35×52	5.80		
	22×50	3.80		1,000	22×30	1.50	
12,000	25×40	3.75	63 (79)	22×25	1.45		
	22×50	3.80		1,500	22×30	1.80	
15,000	30×35	5.10		22×25	1.75		

**LPR series Snap-In Large Size Capacitors**

Case Size: φD×L(mm)  
R.C.: (at 85°C.120Hz)

**Case Size Table & Permissible Ripple Current**

Max ripple current: A (rms)

W. V.	Cap.(μF)	Case Size	R. C.	W. V.	Cap.(μF)	Case Size	R. C.
-------	----------	-----------	-------	-------	----------	-----------	-------

63 (79)	2,200	22×30	2.10	100 (125)	3,300	25×50	3.39
		26×25	2.58			30×41	3.27
	2,700	22×36	2.80		3,900	30×46	3.50
		25×31	2.70			35×37	3.30
	3,300	22×40	2.81		4,700	30×50	5.86
		25×31	2.76			35×42	3.50
	3,900	22×40	3.20		5,600	35×47	3.90
		25×36	3.10			35×50	4.85
	4,700	30×30	3.10		6,800	35×60	5.30
		26×40	4.19			35×70	5.49
	5,600	25×46	3.80		10,000	40×60	5.49
		30×36	3.60				
6,800	25×50	3.68	160 (200)	180	20×30	1.20	
	30×40	5.16		270	22×25	1.05	
8,200	30×46	3.99		330	22×30	1.14	
	35×37	3.81			390	25×25	1.11
10,000	30×50	6.32		470	22×31	1.71	
	35×52	5.12			560	25×26	1.58
80 (100)	680	22×25		1.30	680	22×31	1.53
		22×26		1.60		25×26	1.45
	1,000	22×30		1.35	820	22×35	1.67
		22×31		1.80		25×31	1.58
	1,500	25×26		1.75	1,000	22×40	1.95
		22×36		1.80		25×36	1.87
	1,800	25×31	1.60	1,200	22×50	2.36	
		22×41	2.50		25×36	2.05	
	2,200	25×31	2.30	1,500	25×45	2.62	
		22×46	2.80		30×36	2.55	
	2,700	25×36	2.65	1,800	25×50	3.40	
		22×50	3.30		30×36	3.20	
3,300	25×41	3.12	2,200	30×45	3.35		
	25×46	3.40		35×37	3.28		
3,900	30×36	3.10	2,700	30×51	4.40		
	25×50	3.60		35×42	3.59		
4,700	30×41	3.45	200 (250)	150	20×30	2.00	
	30×46	3.80		220	22×25	1.85	
5,600	35×37	3.65		270	20×30	1.00	
	30×51	4.50			22×26	0.97	
6,800	35×42	3.84		330	22×30	1.50	
	35×52	4.90			25×25	1.23	
8,200	20×30	1.30		470	22×40	1.74	
	22×25	1.15			25×31	1.55	
820	22×30	1.55		560	22×40	2.00	
	25×26	1.54			25×36	1.82	
1,000	22×30	2.30		680	22×46	2.14	
	25×25	1.71			25×36	2.08	
1,200	22×36	2.30	820	25×50	2.59		
	25×31	2.20		30×36	2.55		
1,500	22×40	2.54	1,000	25×52	2.99		
	25×31	2.38		30×42	2.87		
1,800	22×46	2.20	1,200	30×46	4.25		
	25×41	2.05		35×37	4.08		
2,200	22×50	3.07	1,500	30×51	5.30		
	26×40	3.74		35×42	5.15		
2,700	25×46	3.15					
	30×36	3.00					

## LPR series Snap-In Large Size Capacitors

Case Size:  $\varnothing$ D×L(mm)  
R.C.: (at 85°C, 120Hz)

### Case Size Table & Permissible Ripple Current

Max ripple current: A (rms)

W. V.	Cap.( $\mu$ F)	Case Size	R. C.	W. V.	Cap.( $\mu$ F)	Case Size	R. C.
200 (250)	1,800	35×47	5.80	200 (250)	47	22×25	0.40
	2,200	35×51	6.50		68	22×25	0.51
120	20×30	0.90	82		22×26	0.60	
	22×25	0.75					

