

P/N	A	B	C	D	E	SHAFT	COLOUR
CP-AA15-D(6)/B6	15.0	19.0	12.0	2.0	13.0	6.0	BLACK
CP-AA15-D(6)/B5	15.0	19.0	12.0	2.0	13.0	6.0	GREY
CP-AA15-T18/B5	15.0	19.0	12.0	2.0	13.0	T18	GREY
CP-AA18-D(6.4)/B6	17.6	16.0	15.0	3.6	14.6	6.4	BLACK
CP-AA18-T18/B6	17.6	16.0	15.0	3.6	14.6	T18	BLACK
CP-AA19A-S(6.4)/B6	19.4	19.0	14.0	1.6	15.6	6.4	BLACK
CP-AA19A-D(6.4)/B6	19.4	19.0	14.0	1.6	15.6	6.4	BLACK
CP-AA19A-T18/B5	19.4	19.0	14.0	1.6	15.6	6.4	GREY
CP-AA19A-T18/B6	19.4	19.0	14.0	1.6	15.6	6.4	GREY
CP-AA15-1/CA	RED CAP						
CP-AA15-3/CA	BLUE CAP						
CP-AA15-5/CA	GREY CAP						
CP-AA15-6/CA	BLACK CAP						
CP-AA15-7/CA	WHITE CAP						
CP-AA18-5/CA	GREY CAP						
CP-AA18-6/CA	BLACK CAP						
CP-AA19A-1/C	RED CAP						
CP-AA19A-2/C	YELLOW CAP						
CP-AA19A-3/C	BLUE CAP						
CP-AA19A-4/C	GREEN CAP						
CP-AA19A-5/C	GREY CAP						
CP-AA19A-6/C	BLACK CAP						

CP-AA15



CP-AA18



CP-AA19



CP-AA19



BLUE CAP



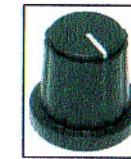
GREEN CAP



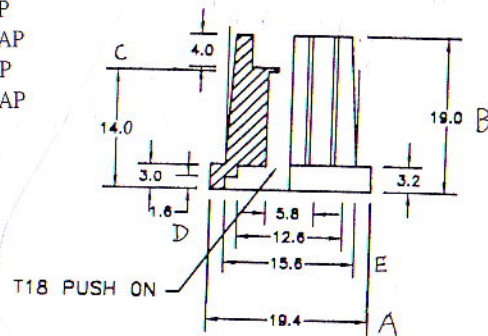
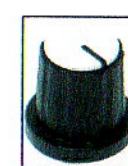
GREY CAP



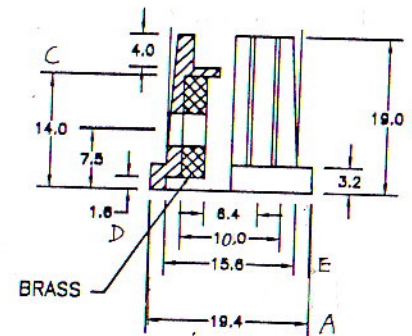
BLACK CAP



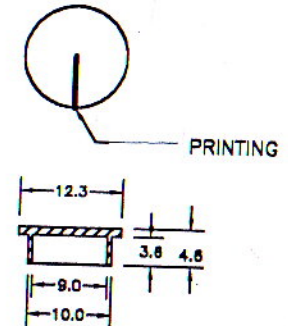
WHITE CAP



CP-AA19A-T18/B6



CP-AA19A-S(6.4)/B6



CP-AA19A-\* /C

嘉信旋鈕股份有限公司  
 CHIA SHIN KNOBS CO., LTD.  
 351, YUNGHO ROAD,  
 CHUNGHO CITY,  
 TAIPEI HSIEN,  
 TEL: (02) 2225-1216~7  
 FAX: (02) 2222-7312

Material: PLASTIC  
 Tolerance: +/-0.20  
 Unit : mm

P/N:	
CHIA SHIN P/N:	CP-AA SERIES

Date: 1-Sep-07