

749-795/801/813/825

Safety Quick Connection Terminals up to 300 V



Protection against electric shock

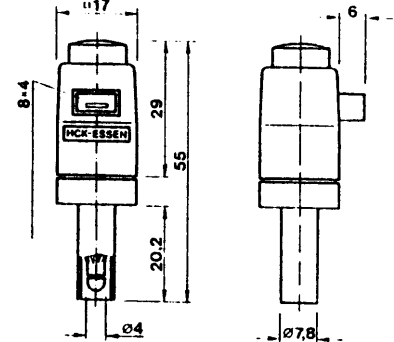
The protection against electric shock of these Quick Connection Terminals is mainly created by the 6 mm high guard around the insertion opening. This opening has a size of 8 mm x 4 mm. To remain the safety, the length of the bare copper stranded wire should not be greater than 8 mm. To ensure proper gripping we would suggest a minimum length of approximately 4 mm.

General Data of the Quick Connection Terminals

Max. operating voltage: 300 V AC and DC.
 Max. rated current: 16 A.
 Contact resistance: < 2 mΩ
 Insulators are made of Polyamide 6.6.
 Contacts are made of nickel-plated brass.
 The body is black, the push button is available in different colours.
 The green/yellow version has a yellow body and a green push button.

Quick Connection Terminal with Safety plug, Type GDK-799

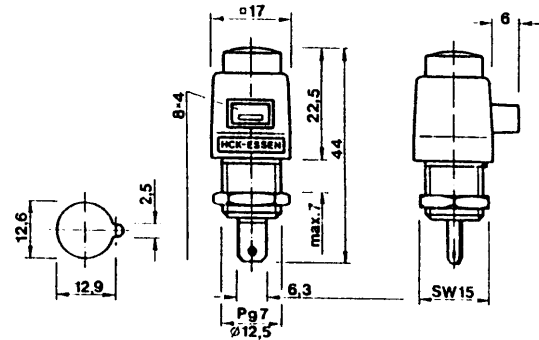
with cage spring plug for use with safety 4 mm sockets.



GDK-799 *Colours: 1-5+9 Order code 8012*

Panel-mount Quick Connection Terminal, Type GDK-798

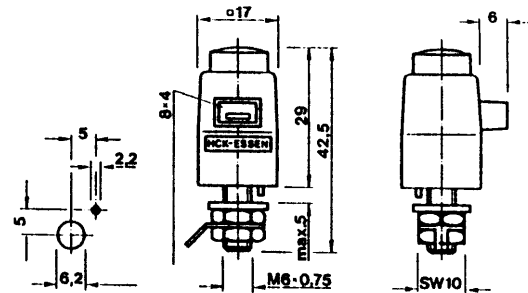
panel thicknesses between 0.8 mm and 7 mm.
 Connection via a 6.3 mm Faston connector or soldering.
 Insulated thread allows mounting on metallic panels.



GDK-798 *Colours: 1-5+9 Order code 8013*

Panel-mount Quick Connection Terminal, Type GDK-801

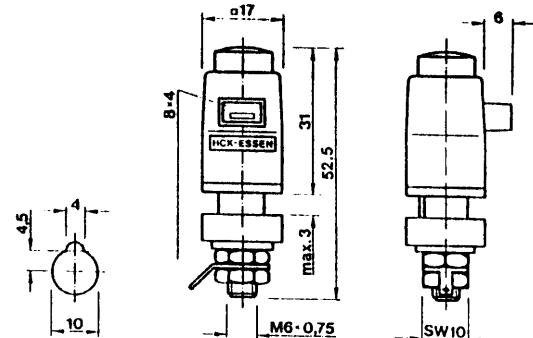
to be mounted on insulated panels with thicknesses between 0.8 mm and 5 mm. A pin on the bottom of the body guarantees correct positioning of the terminal (see drawing).
 Connection via solder-tag or ring terminal.



GDK-801 *Colours: 1-5+9 Order code 8014*

Panel-mount Quick Connection Terminal, Type GDK-800

suitable for insulated and metallic panels with a thickness between 0.8 mm and 3 mm.
 The insulated mounting area with tappet can be placed in four different positions and enables correct positioning of the terminal.
 Connection via solder-tag or ring terminal.



GDK-800 *Colours: 1-5+9 Order code 8015*

* Colours: 1=black, 2=red, 3=blue, 4=yellow, 5=green, 6=violet, 7=brown, 8=white, 9=green/yellow