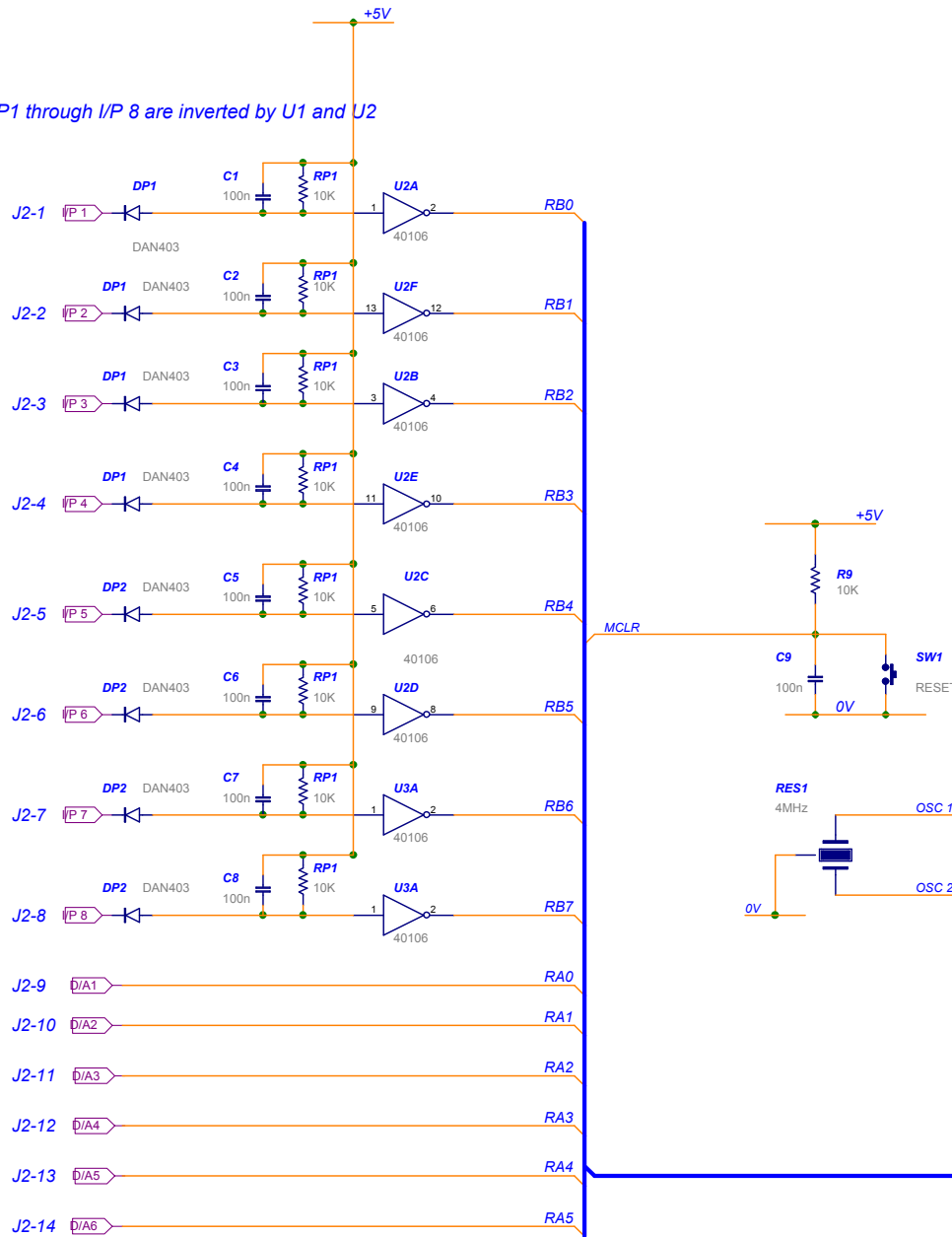
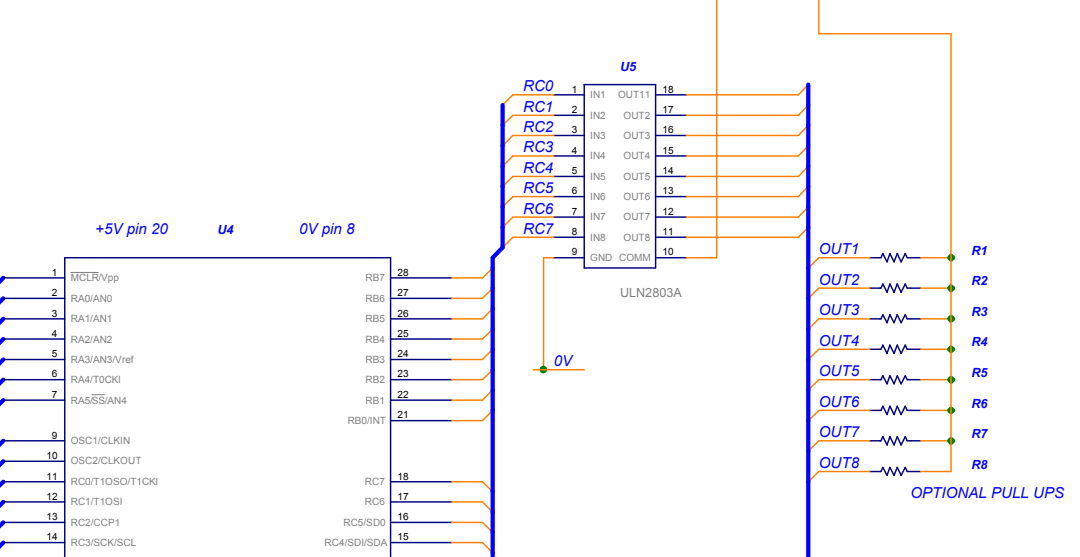
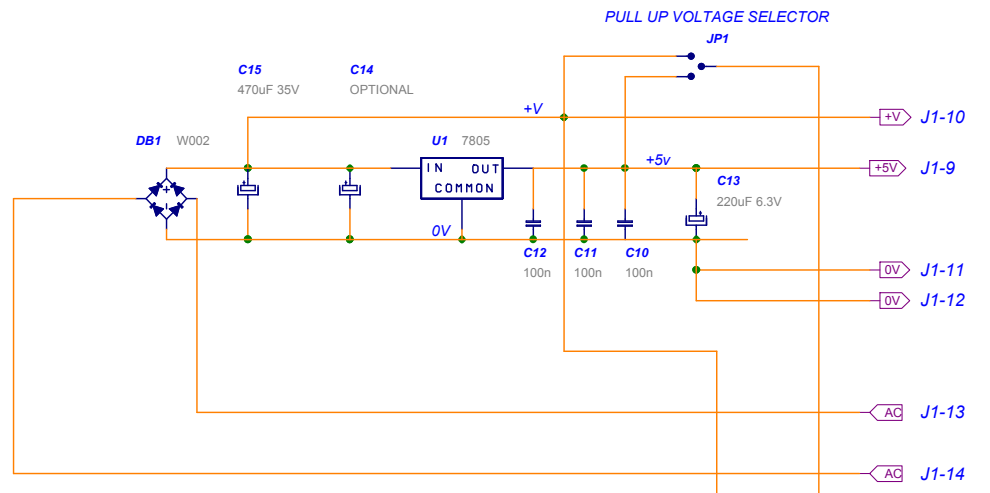


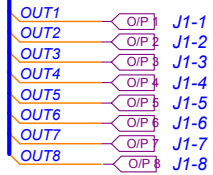
Note: I/P1 through I/P 8 are inverted by U1 and J2



Note: PortA functions will relate to the PIC used



Note: Some PIC pin designations will change depending on device used
Designations given relate to 16C72



| | | | |
|---|------------|-----------------|-----------|
| POWERLITE SYSTEMS 11 COWICK ROAD EXETER EX2 9BE | | | |
| mc28ad.sch | TITLE | PICBLOCK MC28AD | |
| CREATED | 08/02/2000 | MODIFIED | 07/09/101 |
| | | | REV 3.0 |