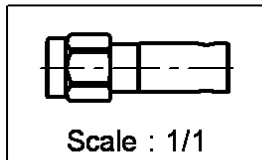
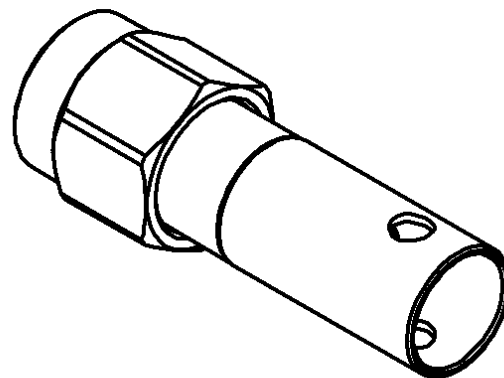
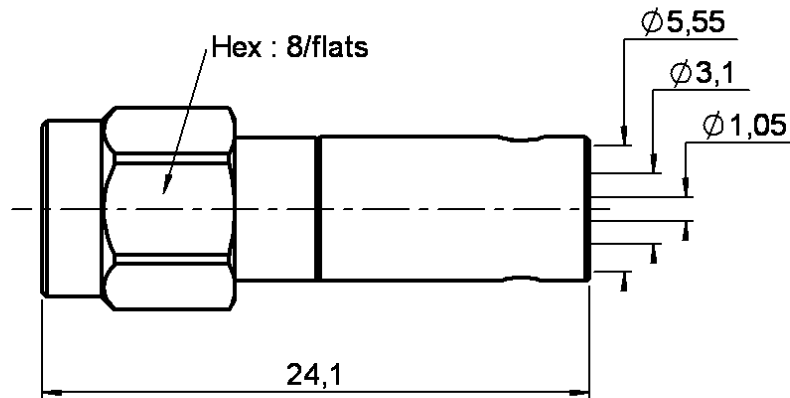


**STRAIGHT PLUG CRIMP TYPE**

**R125.076.001**

**CABLE 5/50 D**

Series : SMA



All dimensions are in mm.



| COMPONENTS     | MATERIALS       | PLATINGS (µm)          |
|----------------|-----------------|------------------------|
| BODY           | STAINLESS STEEL | PASSIVATED .           |
| CENTER CONTACT | BRASS           | GOLD 1.3 OVER NICKEL 2 |
| OUTER CONTACT  | -               | -                      |
| INSULATOR      | PTFE            | -                      |
| GASKET         | SILICONE RUBBER | -                      |
| OTHERS PARTS   | STAINLESS STEEL | PASSIVATED .           |
| -              | -               | -                      |
| -              | -               | -                      |

Issue : 0220 D

In the effort to improve our products, we reserve the right to make changes judged to be necessary.



**STRAIGHT PLUG CRIMP TYPE**

**R125.076.001**

**CABLE 5/50 D**

Series : SMA

**PACKAGING**

| Standard   | Unit              | Other             |
|------------|-------------------|-------------------|
| <b>100</b> | <b>'W' option</b> | <b>Contact us</b> |

**SPECIFICATION**

**ELECTRICAL CHARACTERISTICS**

|                                 |               |                             |
|---------------------------------|---------------|-----------------------------|
| Impedance                       |               | <b>50</b> Ω                 |
| Frequency                       |               | <b>0-12.4</b> GHz           |
| VSWR                            | <b>1.15</b> + | <b>0.010</b> x F(GHz) Maxi  |
| Insertion loss                  |               | <b>0.06</b> √F(GHz) dB Maxi |
| RF leakage                      | - (           | <b>60</b> - F(GHz)) dB Maxi |
| Voltage rating                  |               | <b>335</b> Veff Maxi        |
| Dielectric withstanding voltage |               | <b>1000</b> Veff mini       |
| Insulation resistance           |               | <b>5000</b> MΩ mini         |

**CABLE ASSEMBLY**

| Stripping | a    | b    | c    | d    | e    | f    |
|-----------|------|------|------|------|------|------|
| mm        | 3.50 | 7.00 | 13.5 | 0.00 | 10.0 | 0.00 |

Assembly instruction : **Crimp 01**

Recommended cable(s)  
 RG 223  
 RG 142  
 RG 400  
 KX 23  
 RG 142 FTX

Cable retention  
 - pull off **204** N mini  
 - torque **NA** N.cm

**MECHANICAL CHARACTERISTICS**

|                            |           |           |
|----------------------------|-----------|-----------|
| Center contact retention   |           |           |
| Axial force – Mating end   | <b>NA</b> | N mini    |
| Axial force – Opposite end | <b>NA</b> | N mini    |
| Torque                     | <b>NA</b> | N.cm mini |

**TOOLING**

| Part Number  | Description   | Hexagon |
|--------------|---------------|---------|
| .            | .             | .       |
| R282.223.000 | CRIMPING TOOL | 5.41    |
| R282.235.011 | CRIMPING DIES | 5.41    |
| R282.293.000 | CRIMPING TOOL | -       |

|                    |              |      |
|--------------------|--------------|------|
| Recommended torque |              |      |
| Mating             | <b>100</b>   | N.cm |
| Panel nut          | <b>NA</b>    | N.cm |
| Clamp nut          | <b>NA</b>    | N.cm |
| A/F clamp nut      | <b>0.000</b> | mm   |

|             |              |             |
|-------------|--------------|-------------|
| Mating life | <b>500</b>   | Cycles mini |
| Weight      | <b>3.847</b> | g           |

**OTHERS CHARACTERISTICS**

-

**ENVIRONMENTAL**

|                       |                 |           |
|-----------------------|-----------------|-----------|
| Operating temperature | <b>-65/+165</b> | ° C       |
| Hermetic seal         | <b>NA</b>       | Atm.cm3/s |
| Panel leakage         | <b>NA</b>       |           |

Issue : 0220 D

In the effort to improve our products, we reserve the right to make changes judged to be necessary.

