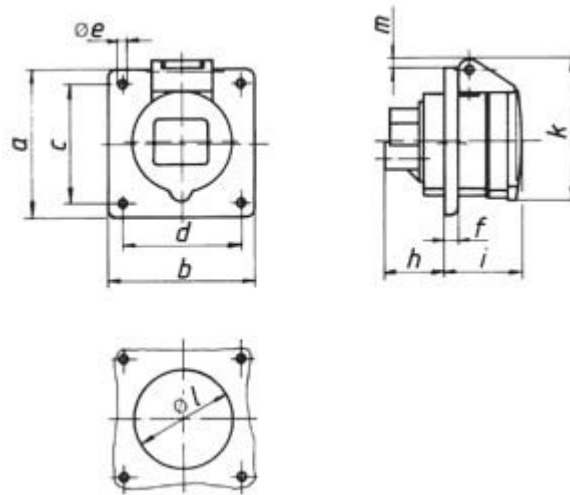


Blue Straight Panel Mounting Socket 2P+E (6H) IP44 16A 240V



Dimensions

All dimensions in mm.



a	b	c	d
62	62	47	47
e	f	h	i
5.5	7	17	51
k	l	m	Conductor mm ² min
70	45	10	1.5
Conductor mm ² max			
4			