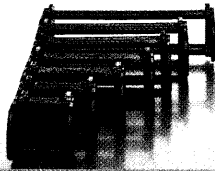


igus® Energy Chain  
Systems®

Price Index



7 Widths  
9 Bending Radii



3 options for  
interior separation



5 options for  
mounting brackets



Various strain  
relief options

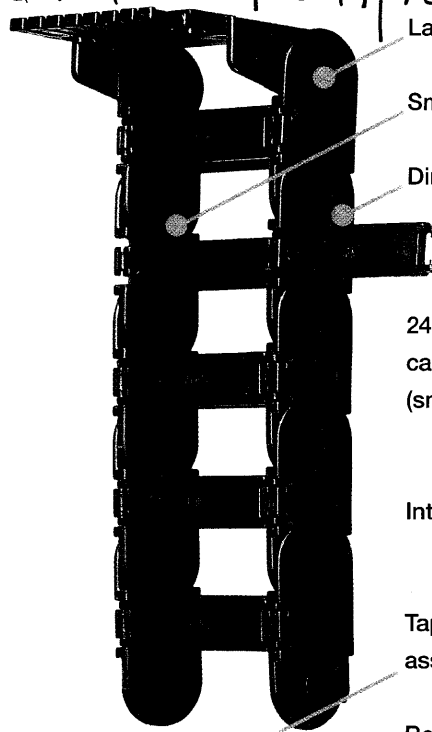


Phone +49- (0) 22 03 96 49-0  
Fax +49- (0) 22 03 96 49-222

igus® GmbH  
51127 Cologne

Internet: <http://www.igus.de>  
email: [info@igus.de](mailto:info@igus.de)

5.70



Large pins for long service life

Smooth interior for long cable life

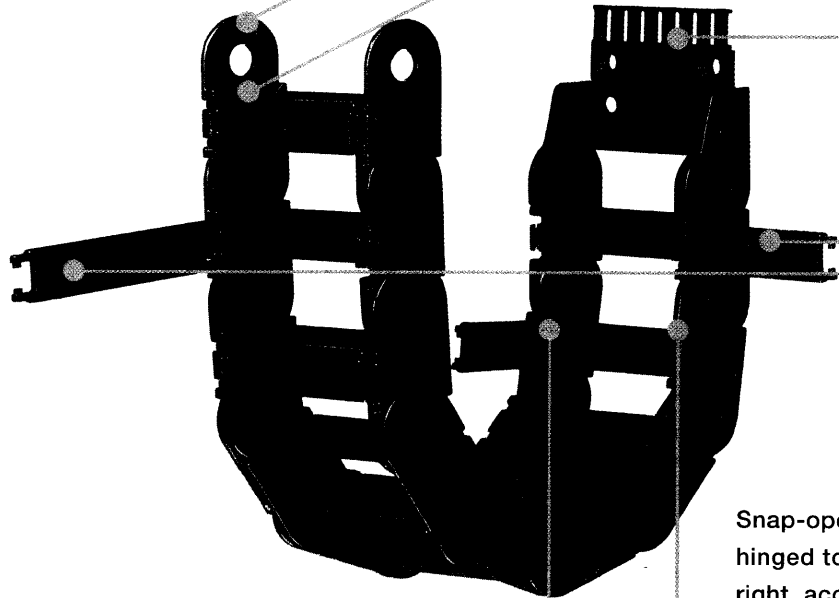
Dirt-repellent exterior

240 Series (snap-open along inner radius)  
can be combined with 250 Series  
(snap-open along outer radius)

Integrated strain relief possible

Tapered insertion point for easy  
assembly

Reinforced stop dog



Snap-open,  
hinged to left or  
right, accessible  
from the top



When to use the Series 200/240/250:

- If snap-open accessibility along inner or outer radius is required
- If integrated strain relief is required at the connection point
- If modular interior separation is required
- If long service life is required
- If easy installation is required



When not to use them:

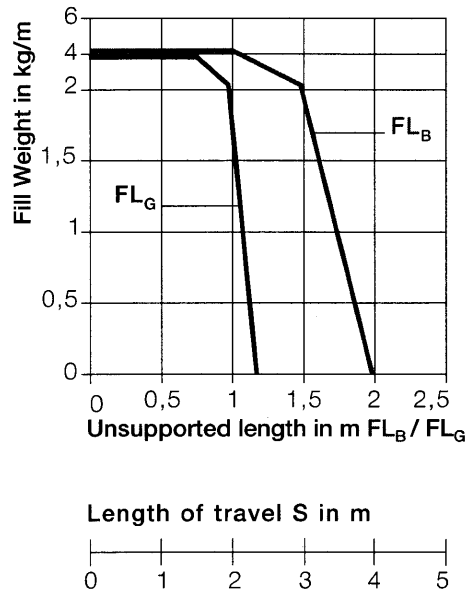
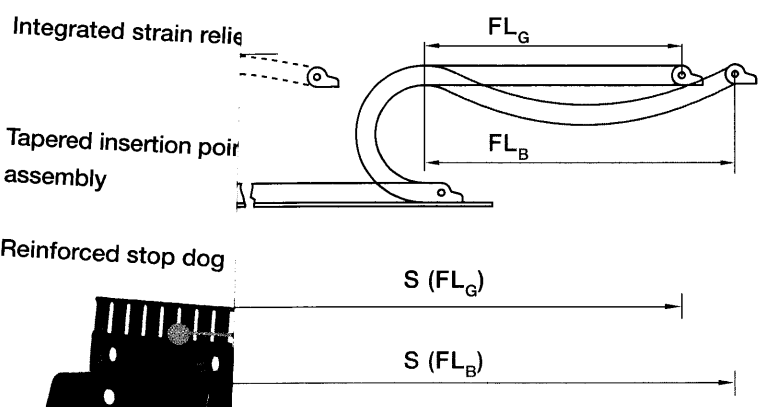
- If each link requires snap-open accessibility on both sides simultaneously
  - ▶ System E4, Series 220 etc.), Page 7.6
- If maximum stability is required
  - ▶ System E4, Series 220 etc.), Page 7.6
- If chip protection is required
  - ▶ Energy Tubes E2, Series R48, Page 6.28
- If the application is very simple
  - ▶ Easy Chain, Series E 200, Page 3.32

"E2 medium" 25 Series 200/240/250 "E2 medium"

1571 1593  
 Large pins for long  
 Smooth interior for  
 Dirt-repellent exterior

25, 38, 57, 77, 90, 103, 125  
 055, 075, 100, 125, 150, 175, 200, 225, 250  
 46 mm/link = 22 links/m (1012 mm)

240 Series (snap-open) can be combined with permitted sag (snap-open along outward with straight upper run)



Unsupported Energy Chains ► **Design, Page 1.8** feature positive camber over short travels. This must be accounted for when specifying the clearance height. Please refer to **Installation Dimensions** for details.

If the unsupported length is exceeded, the Energy Chain must glide on itself. This requires a guide trough.

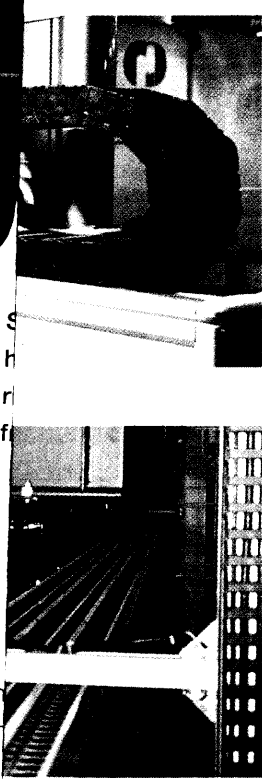
● **Long travel**  
 Max. = 100 m

- **Design, Page 1.18.**
- Or, incorporation of igus' exclusive AUTO-GLIDE System guide elements, which are available for this chain series.
- **AUTO-GLIDE System, Page 8.17.**

- **Accessories for**
  - **Guide Troughs, Page 8.5**
- **Further information**
  - **Design, Page 1.1**

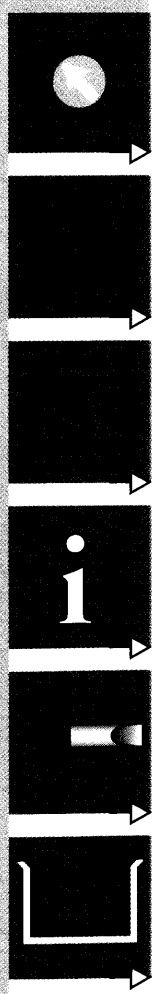
**When not to use them:**

- If each link requires support on both sides simultaneously
  - System E4, Series **Methods**
- If maximum stability is required
  - System E4, Series **Methods**
- If chip protection is required
  - Energy Tubes E2, Series **Methods** = max. 40 m
  - Energy Tubes E2, Series **Methods** = max. 3 m
- If the application is very long
  - Easy Chain, Series **Methods** unsupported = max. 1 m
  - Easy Chain, Series **Methods** requires further calculation



Series 200/240/250

Phone +49- (0) 22 03 96 49-0  
 Fax +49- (0) 22 03 96 49-222



Order Example

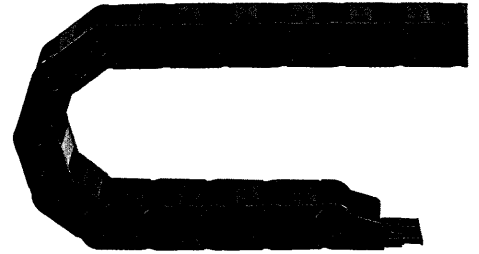
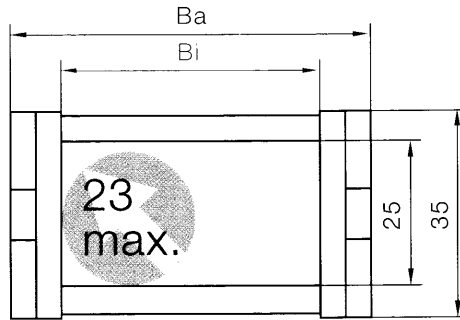


250.10.100.0

Standard color  
0 = Black

● Other colors  
▶ Design,  
Page 1.62

Series 200 Energy Chain (non snap-open)

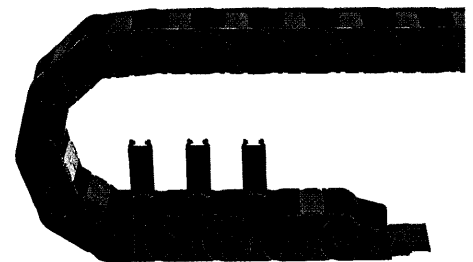
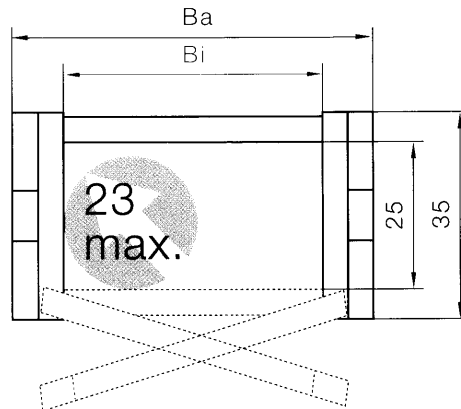


Part No.	Bi	Ba	Bending Radii
200.02. Radius	25	41	055 075 100 125 150
200.03. Radius	38	54	175 200 225 250
200.05. Radius	57	73	
200.07. Radius	77	93	
200.09. Radius	90	106	
200.10. Radius	103	119	
200.12. Radius	125	141	

These bending radii can be combined with every chain width!

Supplement part no. with required radius  
for example 200.02.100.0

Series 240 Energy Chain (snap-open along inner radius)



Part No.	Bi	Ba	Bending Radii
240.02. Radius	25	41	055 075 100 125 150
240.03. Radius	38	54	175 200 225 250
240.05. Radius	57	73	
240.07. Radius	77	93	
240.09. Radius	90	106	
240.10. Radius	103	119	
240.12. Radius	125	141	

These bending radii can be combined with every chain width!

Supplement part no. with required radius  
for example 240.02.100.0

igus® Energy Chain  
Systems®

Phone +49- (0) 22 03 96 49-0  
Fax +49- (0) 22 03 96 49-222

igus® GmbH  
51127 Cologne

Internet: <http://www.igus.de>  
email: [info@igus.de](mailto:info@igus.de)