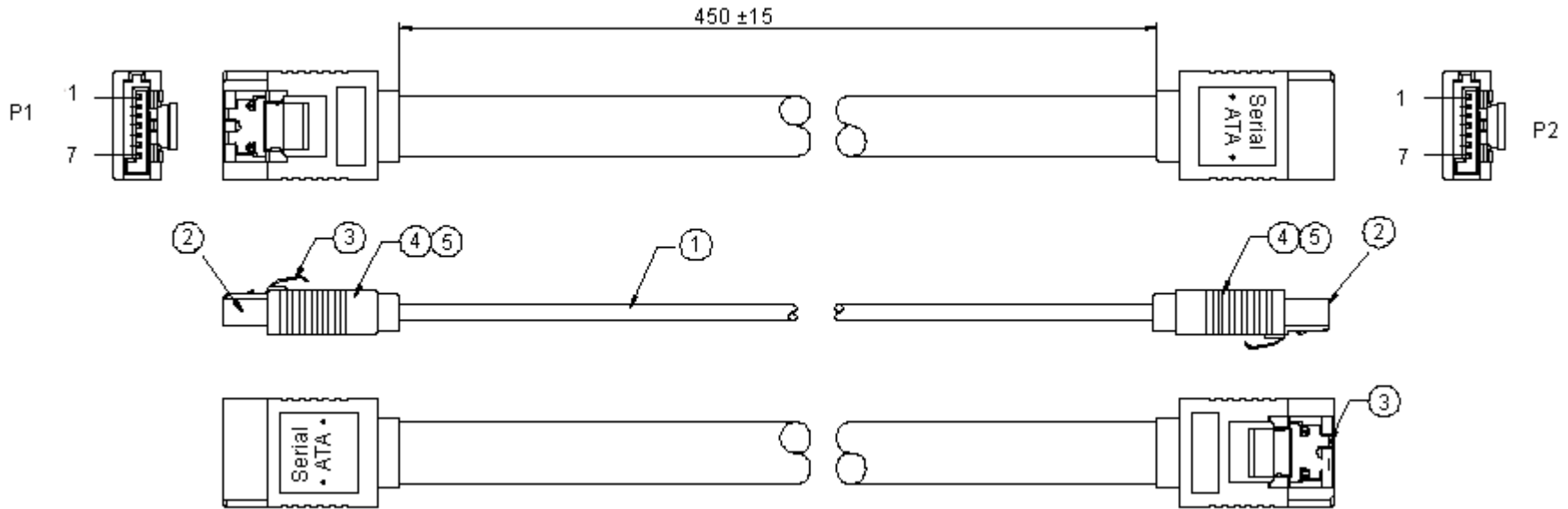


PART NO.

18-95072018

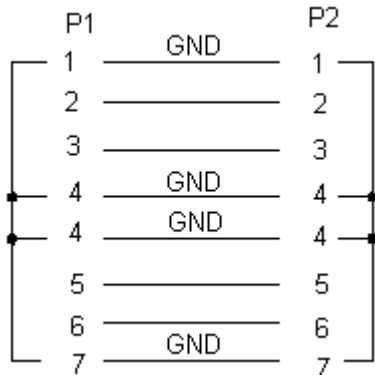
REVISIONS

ECN #	REV	DESCRIPTION	DRAWN	DATE	CHECKD	DATE	APPRVD	DATE
-	A	RELEASED	Veena	30/04/09	Suresh	30/04/09	Farnell	14/05/09



Dimensions : Millimetres

Pin Out



This data sheet and its contents (the "Information") belong to the Premier Farnell Group (the "Group") or are licensed to it. No licence is granted for the use of it other than for information purposes in connection with the products to which it relates. No licence of any intellectual property rights is granted. The Information is subject to change without notice and replaces all data sheets previously supplied. The Information supplied is believed to be accurate but the Group assumes no responsibility for its accuracy or completeness, any error in or omission from it or for any use made of it. Users of this data sheet should check for themselves the Information and the suitability of the products for their purpose and not make any assumptions based on information included or omitted. Liability for loss or damage resulting from any reliance on the Information or use of it (including liability resulting from negligence or where the Group was aware of the possibility of such loss or damage arising) is excluded. This will not operate to limit or restrict the Group's liability for death or personal injury resulting from its negligence. SPC MULTICOMP is the registered trademark of the Group. © Premier Farnell plc 2009.

**TOLERANCES:**  
**UNLESS OTHERWISE SPECIFIED, DIMENSIONS ARE FOR REFERENCE PURPOSES ONLY.**

<b>DRAWN BY:</b>	<b>DATE:</b>
Veena	30/04/09
<b>CHECKED BY:</b>	<b>DATE:</b>
Suresh	30/04/09
<b>APPROVED BY:</b>	<b>DATE:</b>
Farnell	14/05/09

<b>DRAWING TITLE:</b>			
<b>SATA Cable Assembly - 450mm</b>			
<b>SIZE</b>	<b>DWG NO.</b>	<b>ELECTRONIC FILE</b>	<b>REV</b>
A	M10002152	1428285_DWG	A
<b>SCALE: NTS</b>		<b>U.O.M.: mm</b>	<b>SHEET: 1 OF 2</b>



PART NO.

18-95072018

REVISIONS

ECN #	REV	DESCRIPTION	DRAWN	DATE	CHECKD	DATE	APPRVD	DATE
-	A	RELEASED	Veena	30/04/09	Suresh	30/04/09	Farnell	14/05/09

**Specifications:**

**Electrical Characteristics:**

100% Open/short test.

Maximum contact resistance : 2.0Ω.

Hi-pot : 300V dc, 0.1 seconds.

Minimum insulation resistance : 10MΩ.

**Specification Table**

Item	Part Name	Description	Part Number
1	Cable	Serial ATA Cable 26AWG Red	18-95072018
2	Connector	S-ATA-7P Black Pin Gold Plated Gold W/Latch	
3	Latch	SATA 7P Short Latch	
4	Inner Mould	35P PVC Colour: Black	
5	Over Mould	PVC 45P Black	

<http://www.farnell.com>

<http://www.newark.com>

<http://www.cpc.co.uk>

This data sheet and its contents (the "Information") belong to the Premier Farnell Group (the "Group") or are licensed to it. No licence is granted for the use of it other than for information purposes in connection with the products to which it relates. No licence of any intellectual property rights is granted. The Information is subject to change without notice and replaces all data sheets previously supplied. The Information supplied is believed to be accurate but the Group assumes no responsibility for its accuracy or completeness, any error in or omission from it or for any use made of it. Users of this data sheet should check for themselves the Information and the suitability of the products for their purpose and not make any assumptions based on information included or omitted. Liability for loss or damage resulting from any reliance on the Information or use of it (including liability resulting from negligence or where the Group was aware of the possibility of such loss or damage arising) is excluded. This will not operate to limit or restrict the Group's liability for death or personal injury resulting from its negligence. SPC MULTICOMP is the registered trademark of the Group. © Premier Farnell plc 2009.

**TOLERANCES:**

**UNLESS OTHERWISE SPECIFIED, DIMENSIONS ARE FOR REFERENCE PURPOSES ONLY.**

**DRAWN BY:**

Veena

**CHECKED BY:**

Suresh

**APPROVED BY:**

Farnell

**DATE:**

30/04/09

**DATE:**

30/04/09

**DATE:**

14/05/09

**DRAWING TITLE:**

**SATA Cable Assembly - 450mm**

SIZE  
**A**

**DWG NO.**

**M10002152**

**ELECTRONIC FILE  
1428285\_DWG**

**REV  
A**

SCALE: NTS

U.O.M.: mm

SHEET: 2 OF 2