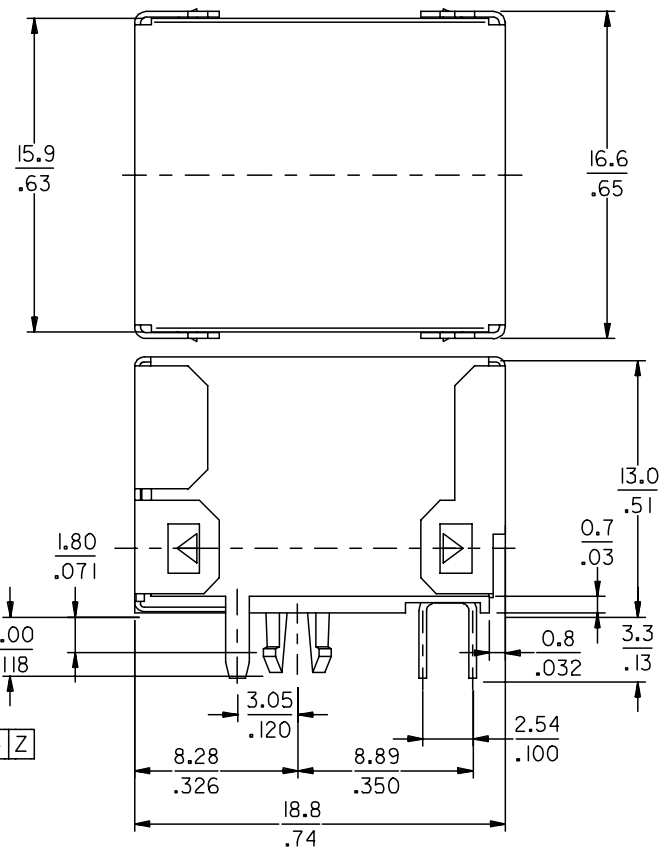
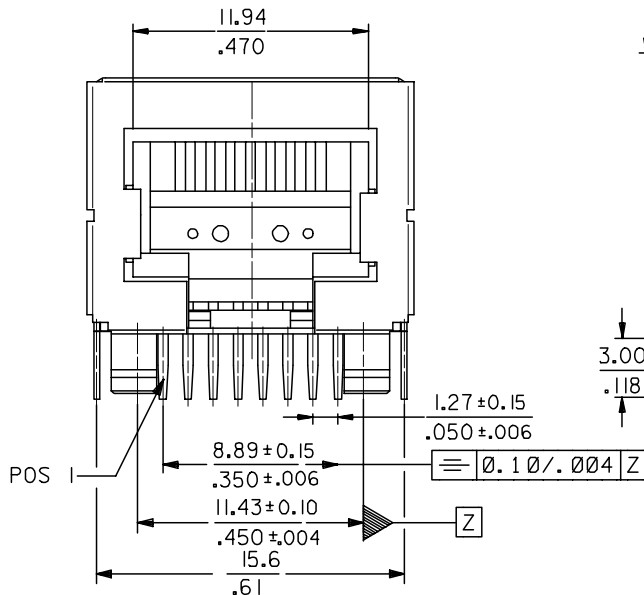
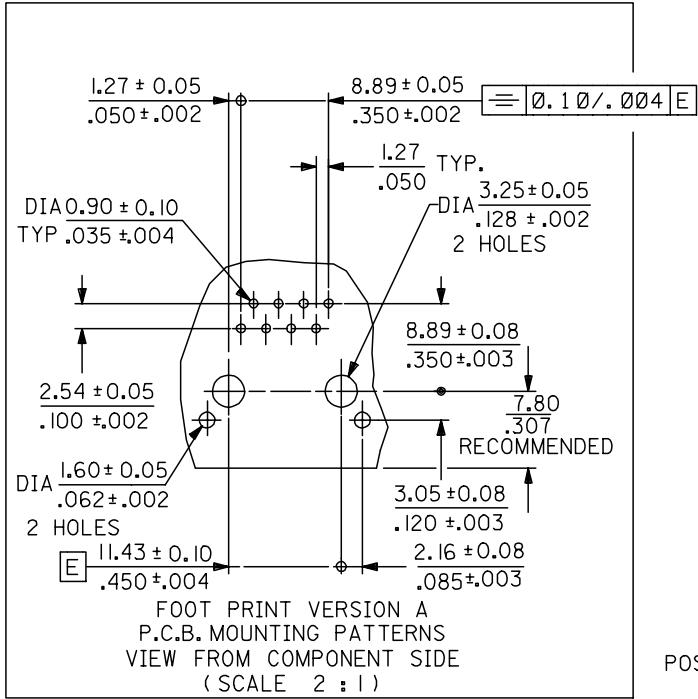


TECHNICAL SPECIFICATIONS:

I- MATERIAL :

HOUSING: POLYESTER GLASS FILLED UL 94VO COLOR BLACK
 TERMINAL : PHOSPHOR BRONZE PLATED WITH :
 0.00127/.000050 MIN. GOLD IN CONTACT AREA,
 0.00190/.000075 MIN. PURE TIN IN TAIL AREA,
 BOTH OVER 0.00127/.000050 MIN. NICKEL OVERALL
 SHIELD : BRASS PLATED WITH 0.0020/.000078 MIN. TIN

ENG. N°.	FOOTPRINT VERSION	HOUSING SIZE	LOADED CKTS	PANEL GROUND	TOOLED	PACKAGING SPEC. NOTE 4
85505-0013	A	8	8	NO	YES	SHEET 1



NOTES:

- 1- JACK FOR MATING WITH SHIELDED PLUG MOLEX 95043 AND 85568 SERIES.
- 2- PRODUCT SPECIFICATION: MOLEX PS-85505-001.
- 3- APPLICATION SPECIFICATION: MOLEX AS-95001.
- 4- PACKAGING SPECIFICATION: MOLEX PK-95122 SEE CHART.
- 5- P.C. BOARD THICKNESS : 1.57/.062
- 6- EXCEEDS CATEGORY 5E PERFORMANCE.

ENTER DESCRIPTION EC NO: MG2005-0136 DRAWN: CSEBASTI 2004/10/13 CHKD: FCARABET 2004/10/14 APPR: KNOLLER 2004/10/15	QUALITY SYMBOLS	GENERAL TOLERANCES (UNLESS SPECIFIED)	DIMENSION STYLE	SCALE	DESIGN UNITS	THIRD ANGLE PROJECTION
	▽=0 ▽=0	mm INCH 4 PLACES ± --- ± --- 3 PLACES ± --- ± .010 2 PLACES ± 0.25 ± .014 1 PLACE ± 0.35 ± --- ANGULAR ± 2 °	MM/IN	4:1	METRIC	DRAWN BY DATE KUBATIN 03/07/31 CHECKED BY DATE ECHTENA 03/07/31 APPROVED BY DATE HEIM 03/07/31
	DRAFT WHERE APPLICABLE MUST REMAIN WITHIN DIMENSIONS	SIZE A3	TITLE HIGH SPEED MODULAR JACK R/A FULLY SHIELDED THROUGH HOLE - VERSION A MOLEX INCORPORATED			
			MATERIAL NO. 85505-0013	DOCUMENT NO. SD-85505-006	SHEET NO. 1 OF 1	