

## FPG2



Fingergrip

Panel Mount · Fixing Nut · 5 x 20 mm



## Beschreibung

- Mounting from rear-side

## Standards

- IEC 60127-6  
 - UL 512  
 - CSA C22.2 no. 39

## Approvals

- VDE License Number: 127216  
 - UL File Number: E39328

## References

General Product Information  
 Accessories

## Weblinks

Approvals: <http://www.schurter.com/approvals>  
 RoHS: <http://www.schurter.com/rohs>

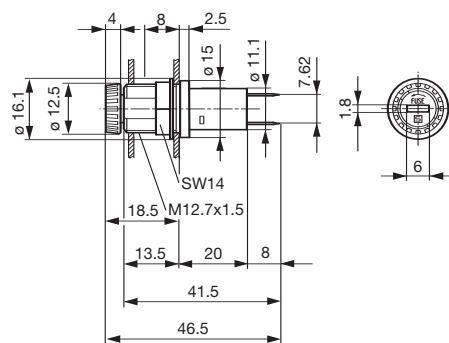
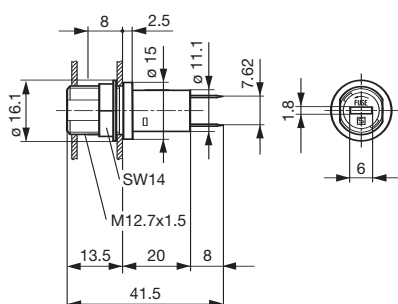
## Technical Data

Shocksafe Category	PC2
Fuse-Link	5 x 20 mm
Mounting	Panel Mount, Rear-Side
Fastening	Fixing Nut
Terminals	Solder or Quick-Connect 4.8 x 0.5 mm
Rated Voltage	250 VAC
Rated Current	10 A (VDE) , 16 A (UL/CSA)
Rated Power Acceptance	2.5 W / 10 A @ Ta 23 °C Admissible power acceptance at higher ambient temperature see derating curves
Degree of Protection	IP 40 / IP 67
Protection Class	Suitable for appliances with protection class I or II acc. to IEC 61140
Admissible Ambient Air Temp.	-40 °C to 85 °C
Climatic Category	40/085/21 acc. to IEC 60068-1
Material: Socket	Thermoplastic, Black, UL 94V-0
Material: Terminals	Tin-Plated Copper Alloy
Unit Weight (Socket/Cap)	6.01 g
Stock Conditions	0 °C to 60 °C, max. 70% r.h.
Product Marking	Type, Voltage Rating, Power Acc./Current Ratings, Approvals

Soldering Methods	Iron
Solderability	350 °C / 2 sec acc. to IEC 60068-2-20, Test Ta, method 2
Resistance to Soldering Heat	350 °C / 10 sec acc. to IEC 60068-2-20, Test Tb, method 2
Contact Resistance	< 5 mΩ at 20 mV
Dielectric Strength	> 3 kV between L-N > 4 kV between L/N-PE (50 Hz; 1 min)
Impulse Withstand Voltage	> 4 kV between L-N > 6 kV between L/N-PE
Insulation Resistance	> 10 MΩ between L-N > 100 MΩ between L/N-PE (500 VDC; 1 min)
Overvoltage Category	I - III acc. to IEC 60664-1
Pollution Degree	1 - 3 acc. to IEC 60664-1
Resistance to Vibration	acc. to IEC 60068-2-6, test Fc
Admissible Torque on Fixing Nut	max 1.2 Nm
Panel Thickness s	max 8 mm

## Dimensions

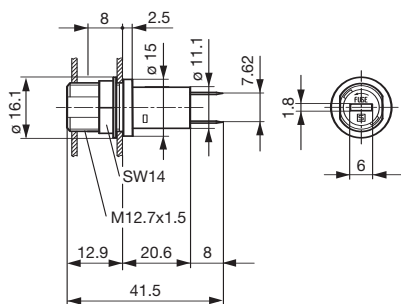
Length 46.5 mm



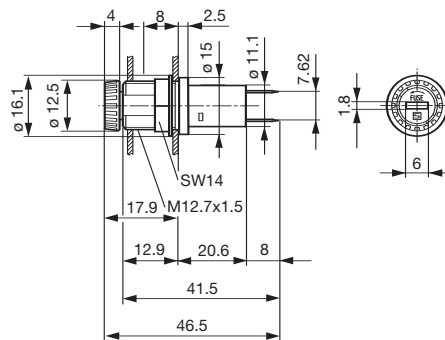
Variants 3101.0020 and 3101.0220

Variants Fingergrip 3101.0025 and 3101.0225

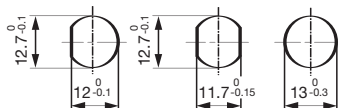
FPG2



Variants 3101.0120 and 3101.0320

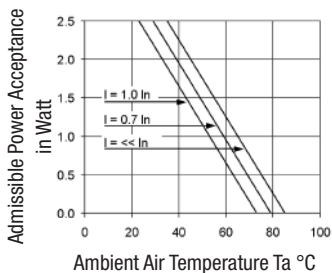


Variants Fingergrasp 3101.0125 and 3101.0325



Mounting holes

Derating Curves



Variants

Order Number	Holder	Cap	Terminals	Degree of Protection
3101.0020	●	Slotted	Solder	IP 40
3101.0220	●	Slotted	Quick-Connect 4.8 x 0.5 mm	IP 40
3101.0025	●	Fingergrasp	Solder	IP 40
3101.0225	●	Fingergrasp	Quick-Connect 4.8 x 0.5 mm	IP 40
3101.0120	●	Slotted	Solder	IP 67
3101.0320	●	Slotted	Quick-Connect 4.8 x 0.5 mm	IP 67
3101.0125	●	Fingergrasp	Solder	IP 67
3101.0325	●	Fingergrasp	Quick-Connect 4.8 x 0.5 mm	IP 67

White and grey colours available on request

**Packaging Unit** Bulk (100 pcs.)