



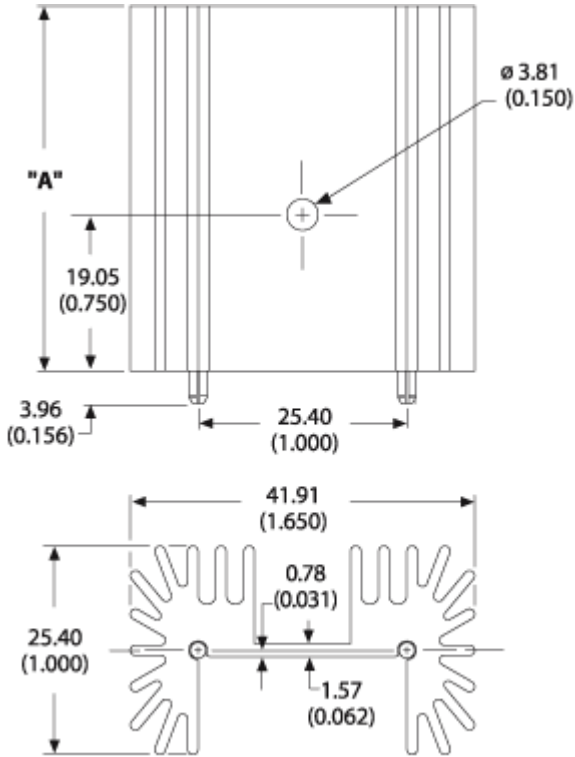
For use with TO-220 packages

Part Number - 6398BG

RoHS
Compliant



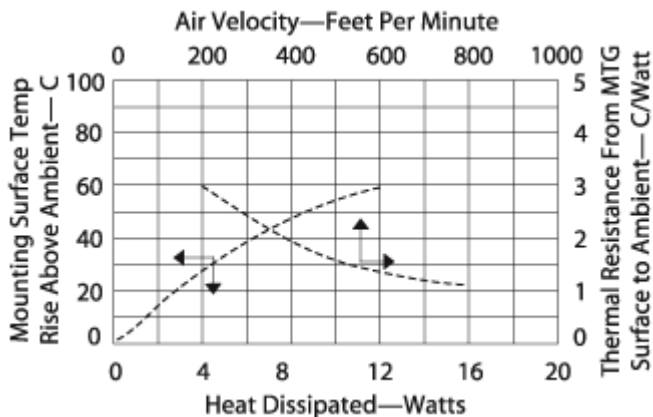
Mechanical Outline Drawing



A Dim 38.10

Thermal Curves

Thermal	
---------	--



Resistance	4.40
------------	------

Thermal resistance value is based on a 75°C rise in natural convection

Product Information

Part #	Description	Finish	Board Mounting
6398BG	High power extruded Heatsink with large radial fins and straight pins	Black Anodize	View Hole Dimensions

Not Exactly what you need?

We offer several options for those applications which require a more unique solution. For slight modifications of this part or other attachment options, finishes, and interface materials, contact your [local representative](#). Challenge us with your thermal requirements - we can design custom solutions.

For technical help with our Standard Products, please call (603) 224-9988, or contact your Aavid Sales Rep
 Email: info@aavid.com

Visit us at www.aavidthermalloy.com • ©2007 Aavid Thermalloy, LLC