

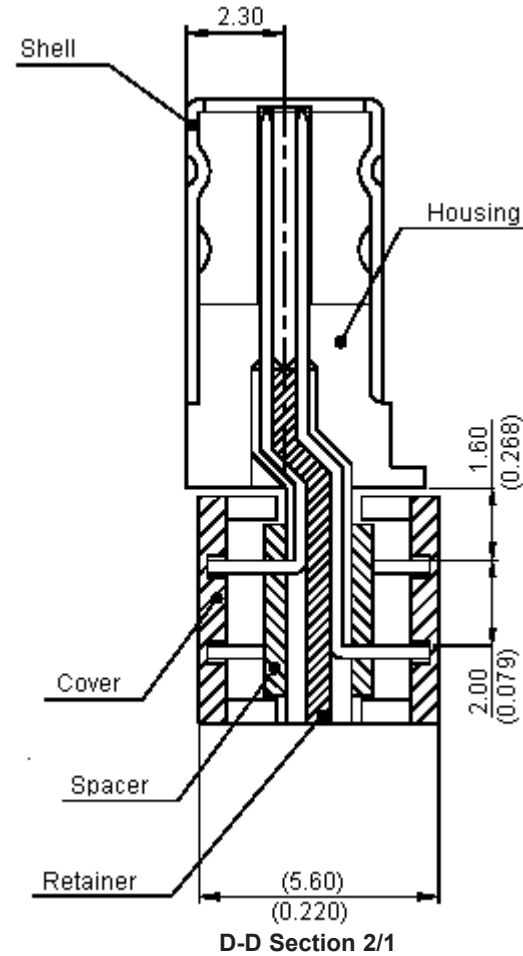
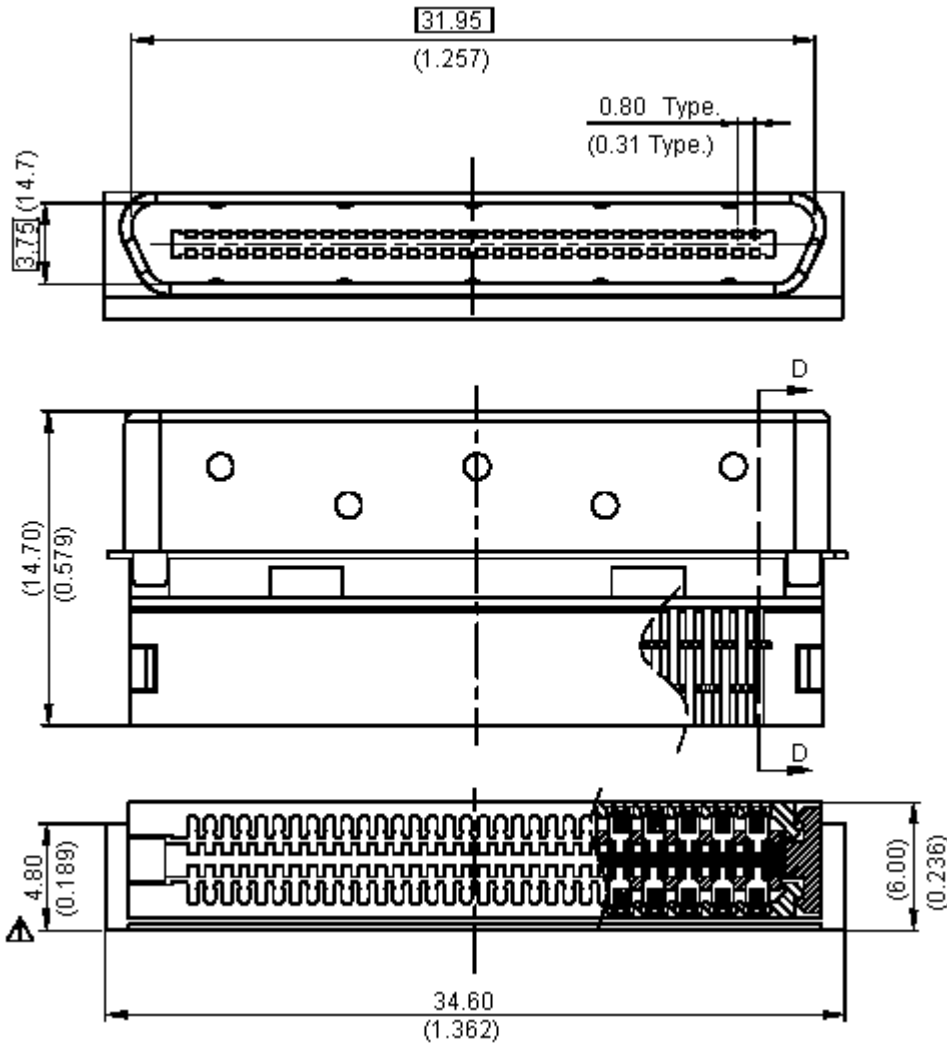


PART NO.

34D068P-32600-AK

REVISIONS

ECN #	REV	DESCRIPTION	DRAWN	DATE	CHECKD	DATE	APPRVD	DATE
-	A	RELEASED	Veena	14/4/08	Suresh	14/4/08	G. C	28/4/08



Dimensions : Millimetres (Inches)

This data sheet and its contents (the "Information") belong to the Premier Farnell Group (the "Group") or are licensed to it. No licence is granted for the use of it other than for information purposes in connection with the products to which it relates. No licence of any intellectual property rights is granted. The Information is subject to change without notice and replaces all data sheets previously supplied. The Information supplied is believed to be accurate but the Group assumes no responsibility for its accuracy or completeness, any error in or omission from it or for any use made of it. Users of this data sheet should check for themselves the Information and the suitability of the products for their purpose and not make any assumptions based on information included or omitted. Liability for loss or damage resulting from any reliance on the Information or use of it (including liability resulting from negligence or where the Group was aware of the possibility of such loss or damage arising) is excluded. This will not operate to limit or restrict the Group's liability for death or personal injury resulting from its negligence. SPC MULTICOMP is the registered trademark of the Group. © Premier Farnell plc 2008.

TOLERANCES:

UNLESS OTHERWISE SPECIFIED, DIMENSIONS ARE FOR REFERENCE PURPOSES ONLY.

DRAWN BY:	DATE:
Veena	14/04/08
CHECKED BY:	DATE:
Suresh	14/04/08
APPROVED BY:	DATE:
G.Cook	28/04/08

DRAWING TITLE:

VHDCI Plug - 68 Way Without Hood

SIZE	DWG NO.	ELECTRONIC FILE	REV
A	M10000845	1428254_DWG	A
SCALE: NTS	U.O.M.: mm (Inches)	SHEET: 1 OF 3	



PART NO.

34D068P-32600-AK

REVISIONS

ECN #	REV	DESCRIPTION	DRAWN	DATE	CHECKD	DATE	APPRVD	DATE
-	A	RELEASED	Veena	14/4/08	Suresh	14/4/08	G. C	28/4/08

Specifications:

Voltage rating : 30V ac(rms).
 Current rating : 0.3A/Contact.
 Dielectric with standing volatage : 250V ac(rms) for one minute.
 Insulation resistance : 500 megohms.

Material:

Contac : Phosphor bronze, selective gold plating over nickel.
 Housing : PBT with 30% glass-fibre.
 Retainer : PBT with 30% glass-fibre.
 Spacer : PBT with 30% glass-fibre.
 Cover : PBT with 30% glass-fibre.
 Shell : Spcc. nickel plated.

Part Number Table

Description	Part Number
VHDCI Plug 68 Way	34D068P-32600-AK

This data sheet and its contents (the "Information") belong to the Premier Farnell Group (the "Group") or are licensed to it. No licence is granted for the use of it other than for information purposes in connection with the products to which it relates. No licence of any intellectual property rights is granted. The Information is subject to change without notice and replaces all data sheets previously supplied. The Information supplied is believed to be accurate but the Group assumes no responsibility for its accuracy or completeness, any error in or omission from it or for any use made of it. Users of this data sheet should check for themselves the Information and the suitability of the products for their purpose and not make any assumptions based on information included or omitted. Liability for loss or damage resulting from any reliance on the Information or use of it (including liability resulting from negligence or where the Group was aware of the possibility of such loss or damage arising) is excluded. This will not operate to limit or restrict the Group's liability for death or personal injury resulting from its negligence. SPC MULTICOMP is the registered trademark of the Group. © Premier Farnell plc 2008.

**TOLERANCES:
UNLESS OTHERWISE SPECIFIED, DIMENSIONS ARE FOR REFERENCE PURPOSES ONLY.**

DRAWN BY:	DATE:
Veena	14/04/08
CHECKED BY:	DATE:
Suresh	14/04/08
APPROVED BY:	DATE:
G.Cook	28/04/08

DRAWING TITLE:			
VHDCI Plug - 68 Way Without Hood			
SIZE	DWG NO.	ELECTRONIC FILE	REV
A	M10000845	1428254_DWG	A
SCALE: NTS		U.O.M.: mm (Inches)	SHEET: 2 OF 3



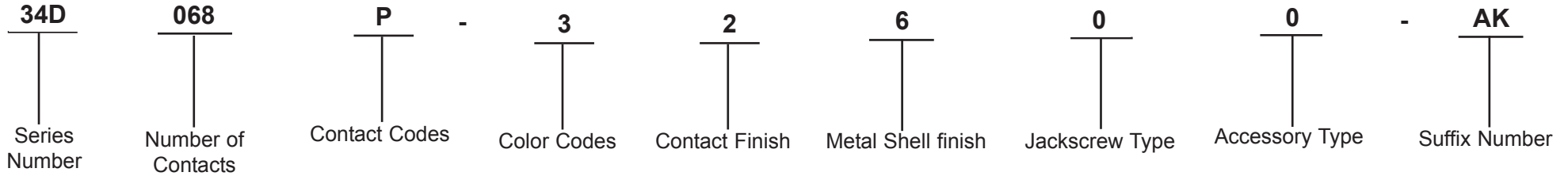
PART NO.

34D068P-32600-AK

REVISIONS

ECN #	REV	DESCRIPTION	DRAWN	DATE	CHECKD	DATE	APPRVD	DATE
-	A	RELEASED	Veena	14/4/08	Suresh	14/4/08	G. C	28/4/08

Part Number Explanation:



- Series Number** : 34D = 0.8mm(0.032") spacing vhdci connector discrete I.D.C type.
- Number of Contacts** : 068 = 68 Positions.
- Contact Codes** : P = Plug.
- Color Codes** : 3 = Black.
- Contact Finish** : 2 = 15µ" selectived gold over 50µ" nickel plated.
- Metal shell finish** : 6 = Nickel plated shell.
- Jackscrew Type** : 0 = W/0 Jackscrew.
- Accessory Type** : 0 = W/0 Accessory.
- Suffix Number** : AK = Without cover and without logo.

<http://www.farnell.com>
<http://www.newark.com>
<http://www.cpc.co.uk>

This data sheet and its contents (the "Information") belong to the Premier Farnell Group (the "Group") or are licensed to it. No licence is granted for the use of it other than for information purposes in connection with the products to which it relates. No licence of any intellectual property rights is granted. The Information is subject to change without notice and replaces all data sheets previously supplied. The Information supplied is believed to be accurate but the Group assumes no responsibility for its accuracy or completeness, any error in or omission from it or for any use made of it. Users of this data sheet should check for themselves the Information and the suitability of the products for their purpose and not make any assumptions based on information included or omitted. Liability for loss or damage resulting from any reliance on the Information or use of it (including liability resulting from negligence or where the Group was aware of the possibility of such loss or damage arising) is excluded. This will not operate to limit or restrict the Group's liability for death or personal injury resulting from its negligence. SPC MULTICOMP is the registered trademark of the Group. © Premier Farnell plc 2008.

TOLERANCES: UNLESS OTHERWISE SPECIFIED, DIMENSIONS ARE FOR REFERENCE PURPOSES ONLY.	DRAWN BY:	DATE:	DRAWING TITLE: VHDCI Plug - 68 Way Without Hood			
	Veena	14/04/08				
	CHECKED BY:	DATE:	SIZE	DWG NO.	ELECTRONIC FILE	REV
	Suresh	14/04/08	A	M10000845	1428254_DWG	A
	APPROVED BY:	DATE:	SCALE: NTS		U.O.M.: mm (Inches)	SHEET: 3 OF 3
G.Cook	28/04/08					