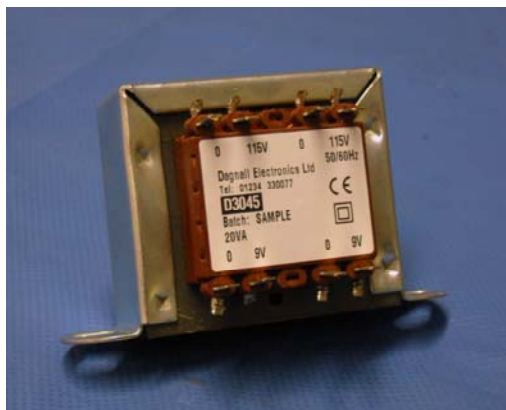


## PRODUCT DATASHEET

### 20VA CHASSIS MOUNTED TRANSFORMER



- DE Designed, Manufactured and tested in accordance with **BS3535, EN60742\* , EN61558\* , EN60950.**
- DE Single 230V or Dual 115V Primaries.
- DE 4800V isolation Primary - Secondary
- DE CE Marked.
- DE Comprehensive choice of Secondary Voltages.
- DE Flame Retardant materials to **UL94-V0.**
- DE Fully shrouded double section construction.

Weight	0.55	Kg
Typical Regulation	12	%
Frequency	50/60	Hz
Max Ambient	25	°C
Bobbin Material	UL94-V0 Class "B" 130°C	

\*requires additional over-current /over-temperature protection.

Please see sheet 2 for part numbers.

## Part Numbers

Part No	Primary	Secondary	Recommended Secondary Fuse
D3040	230V	6+6V	2AT
D3041	230V	9+9V	1AT
D3042	230V	12+12V	1AT
D3043	230V	15+15V	0.8AT
D3044	115+115V	6+6V	2AT
D3045	115+115V	9+9V	1AT
D3046	115+115V	12+12V	1AT
D3047	115+115V	15+15V	0.8AT

Please see sheets 3 and 4 for dimensions, pin outs and connection information.

# DAGNALL ELECTRONICS LIMITED

Shuttleworth Road, Elms Industrial Estate, Bedford. MK41 0EP UK

TEL +44(0)1234 330077 FAX +44(0)1234 330088

E-mail sales@dagnall-electronics.com

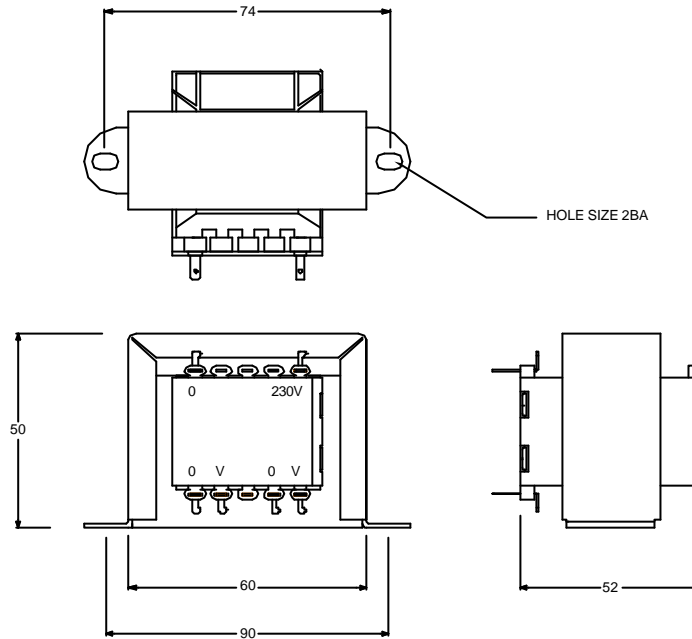
Issue 1. 09/06/03

3 of 4

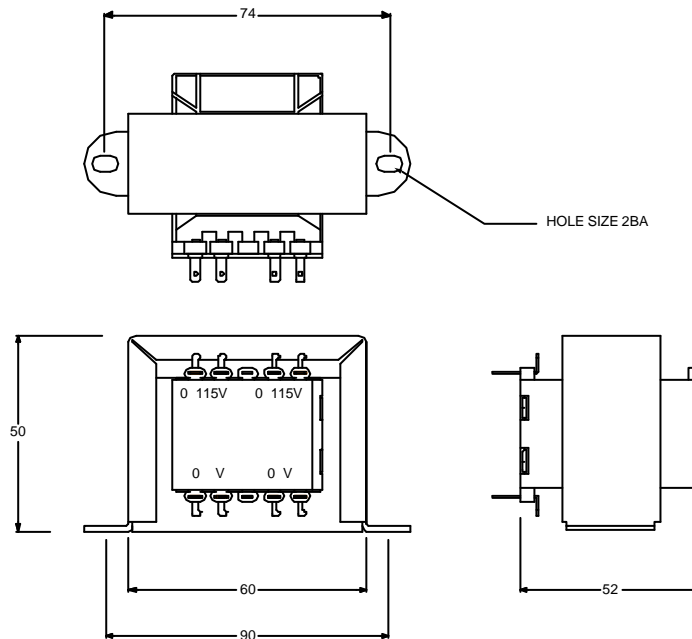
## PRODUCT DATASHEET

### 20VA CHASSIS MOUNTED TRANSFORMER

Outline Drawing 230V Version



Outline Drawing Dual 115V Version



# DAGNALL ELECTRONICS LIMITED

Shuttleworth Road, Elms Industrial Estate, Bedford. MK41 0EP UK

TEL +44(0)1234 330077 FAX +44(0)1234 330088

E-mail sales@dagnall-electronics.com

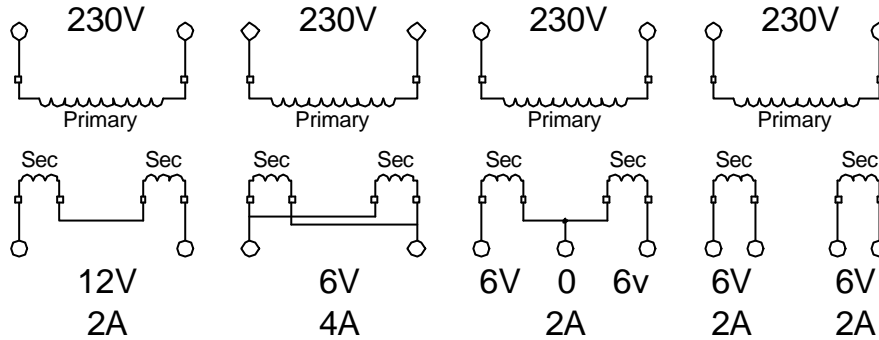
Issue 1. 09/06/03

4 of 4

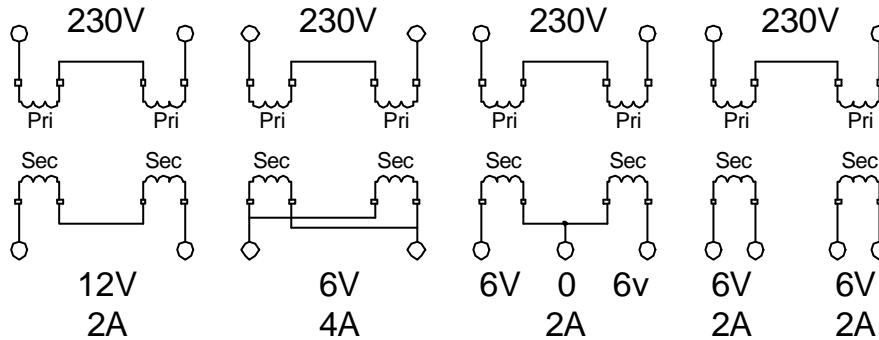
## PRODUCT DATASHEET

### 20VA CHASSIS MOUNTED TRANSFORMER

#### Connection Diagrams for D3040



#### Connection Diagrams for D3044 - 230V supply



#### Connection Diagrams for D3044 - 115V supply

