

### SPECIFICATIONS

**Material:** HEXSEALS: Silicone rubber conforms to ZZ-R-765 Class III, GR 60 unless otherwise specified.

**Mounting Nut:** HEXSEALS: Brass, nickel-plated (unless otherwise noted)

**Temperature Range:** HEXSEALS: -94°F to +400°F

**Pressure Range:** Exceeds 15 psi internal and 1500 psi external.

**Operational Life:** 50,000 actuations (minimum).

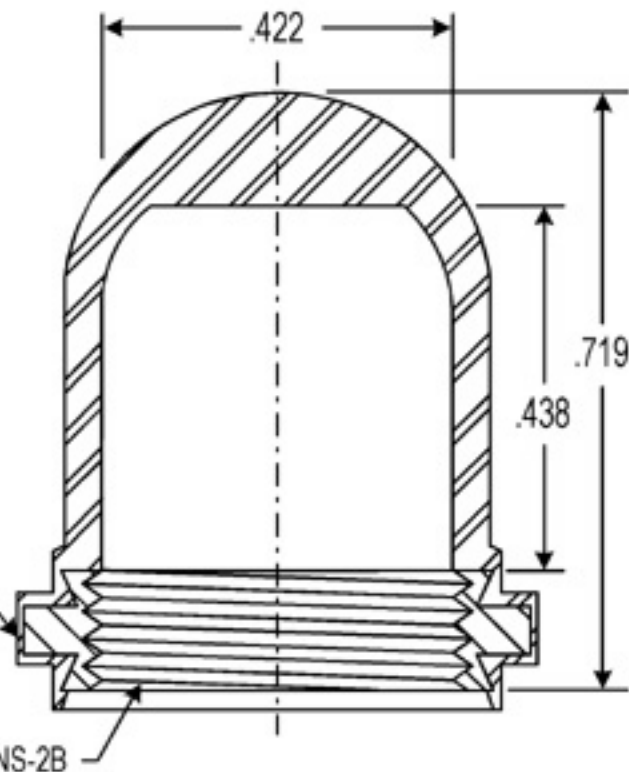
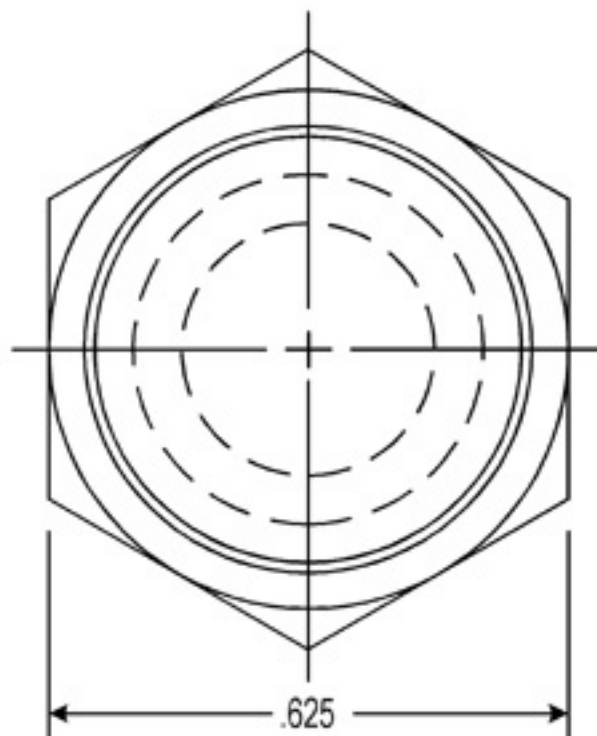
**Shelf Life:** Excess of 25 years.

**Resistant to:** Salt spray, sunlight, ozone, weather, fungus, and most acids and lubricating oils

**Military Approvals:** Most HEXSEALS are QPL-approved to MIL-B-5423.

**Agency Recognition:** E-SEALS and HEXSEALS are UL-listed to UL Std. 50 types 1-13, and meet CSA standards.

**Installation:** If a reducing adaptor is required - see page 14 of HEXSEAL catalog HEX200 for part numbers and drawing.



I	CAD COMPUTER GENERATED		9/23/02
H	UPDATED, ADDED ORDER NUMBERS, DWG NO. WAS 12/31/SERIES	W.P.	11-24-76
G	UPDATED	R.C.	8-4-24
F	REDRAWN	TONY C.	12-11-69
REV.	DESCRIPTION		DATE
MAXIMUM AND MINIMUM MEASUREMENTS ARE STATED DIRECTLY ON EACH DIMENSION.		ENG.	M.MORSE
TITLE: BOOT, PUSH BUTTON SWITCH (NC3030)		DWN.	S.ANDREWS
		CHKD.	B.GLICKSMAN
MAT'L: SILICONE RUBBER ZZ-R-765 CLIII GR 60		SCALE	(NC3030)
FINISH: GRAY		4:1	HEXSEAL®
APM-HEXSEAL CORPORATION		DWG. NO.	

THIS DRAWING COVERS PROPRIETARY ITEM AND IS THE PROPERTY OF THE APM-HEXSEAL CORPORATION. THIS DRAWING IS NOT TO BE COPIED OR USED WITHOUT THE WRITTEN APPROVAL OF AN OFFICER OF THE APM-HEXSEAL CORPORATION.