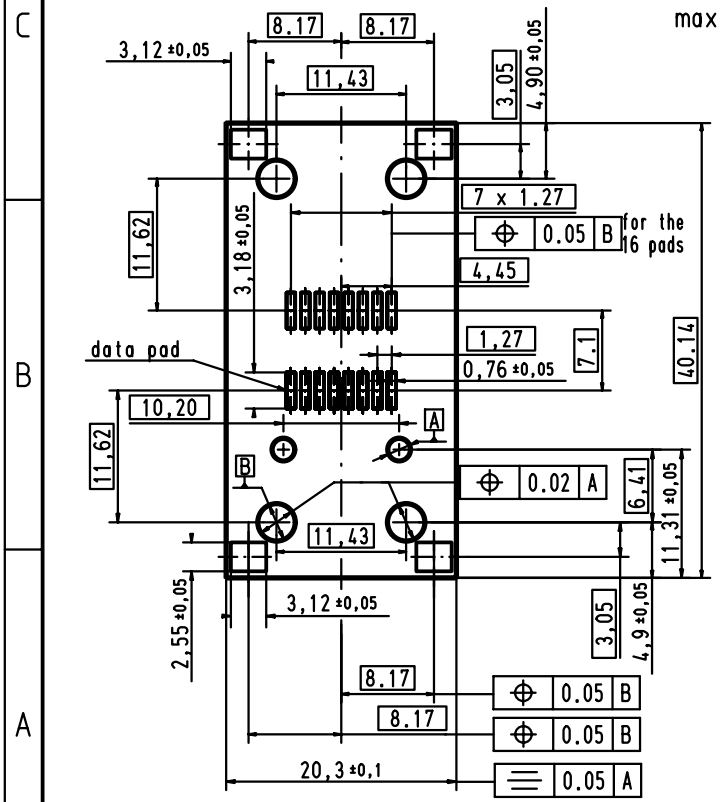
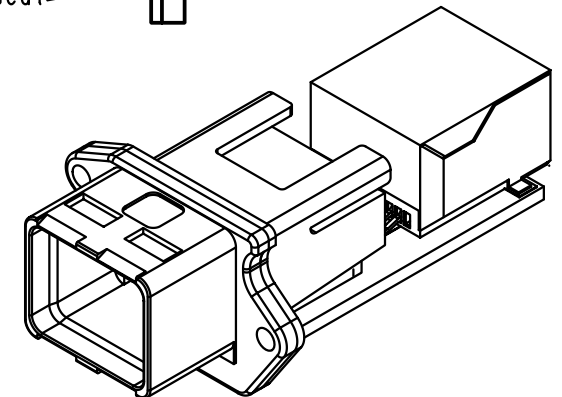


recommended PCB data layout (SMT)
scale 2:1

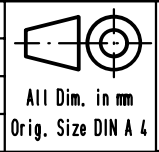
IEC 60603-7
SMT modular jack
max. height : 12 mm above PCB



Connectors pitches on panel:
Axis X = 27 mm
Axis Y = 21 mm
Receptacle according to
60076-3-106 IEC - variant 04



09 45 245 11 00		Au: 1,27 µm over nickel	
Part number		Data contact plating	
		Det.	Name
		Detail.	10-oct-02 JFB
		Insp.	
		Stand.	
31394	18-fev-03	PP	HARTING EURL F-95972 Paris
Mod.	Det.	Name	



Push pull RJ Industrial Thermoplastic IP67 Receptacle		Maßstab/ Scale 1,5:1
TB 09 45 245 11 00		Blatt/ Page 1
Sub.	RP 090182-26-0X/B	

allowed Modular Jacks:
+ Kycon modular jack : GM -SMT2-S2
+ Erni modular jack : 133611 (dim's to be verified with
connector sample measurements)