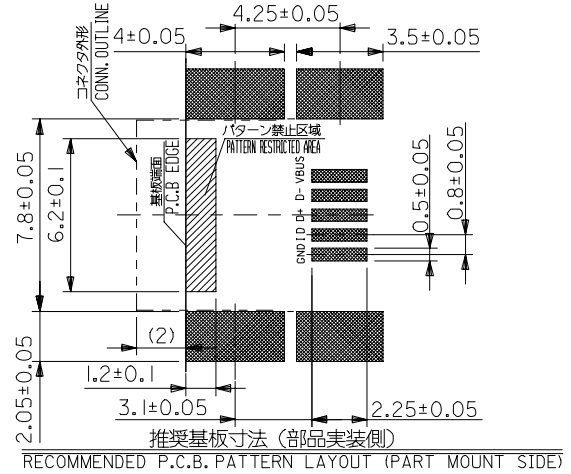
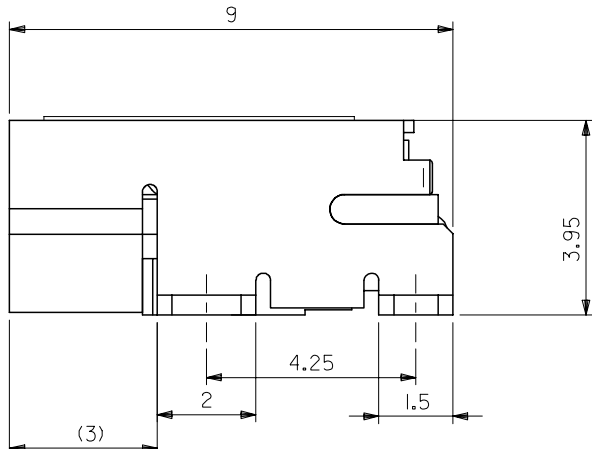


注記 1. 材質  
 NOTES MATERIAL  
 ハウジング: LCP(LIQUID CRYSTAL POLYMER) 黒色, UL94V-0  
 HOUSING: LCP(LIQUID CRYSTAL POLYMER) BLACK, UL94V-0  
 ターミナル: 銅合金 (t=0.2)  
 TERMINAL: COPPER ALLOY (t=0.2)  
 シールド ケース: 銅合金 (t=0.4)  
 SHIELD CASE: COPPER ALLOY (t=0.4)  
 カバー テープ: ポリイミド (t=0.08)  
 COVER TAPE: POLYIMIDE (t=0.08)

- メッキ仕様  
 PLATING  
 ターミナル  
 TERMINAL  
 接点部: 金メッキ 0.75μm MIN.  
 CONTACT AREA: GOLD 0.75 MICRO METER MIN.  
 半田付け部: 錫メッキ 1μm MIN.  
 SOLDER TAIL AREA: TIN 1 MICRO METER MIN.  
 下地部: ニッケルメッキ 4μm MIN.  
 UNDER PLATING: NICKEL 4 MICRO METER MIN.  
 シールド ケース  
 SHIELD CASE  
 : 錫メッキ 1μm MIN.  
 : TIN 1 MICRO METER MIN.  
 下地部: ニッケルメッキ 4μm MIN.  
 UNDER PLATING: NICKEL 4 MICRO METER MIN.
- テール、ネール平坦度は0.1mm MAX.  
 TAIL, NAIL COPLANARITY 0.1mm MAX.
- 本製品は 54819-0571, 1571 の鉛フリー品である。  
 THIS PRODUCT IS LEAD FREE OF 54819-0571, 1571.



54819-1579	MATERIAL NO.
54819-***79	MODEL NO.

REVISED EC NO: J2006-1106 DRW: YANAGI MOTO 2005/10/05 CHK: M. TANAKA 2005/10/06 APPR: NUKITA 2005/10/13 DESCRIPTION REV	GENERAL TOLERANCES (UNLESS SPECIFIED)		DIMENSION STYLE MM ONLY		SCALE ---	DESIGN UNIT'S METRIC	THIRD ANGLE PROJECTION
	10 UNDER	±0.2	DRAWN BY M. NINOMIYA	DATE 2004/02/16	TITLE USB SERIES MINI-B RECEPTACLE ASS'Y FOR SMT -LEAD FREE-		
	10 OVER 30 UNDER	±0.25	CHECKED BY K. TOJO	DATE 2004/02/16	MOLEX INCORPORATED		
	30 OVER	±0.3	APPROVED BY M. SASAO	DATE 2004/02/16	DOCUMENT NO. SD-54819-024		
	ANGULAR	±3 °	MATERIAL NO. SEE CHART		SHEET NO. 1 OF 2		
DRAFT WHERE APPLICABLE MUST REMAIN WITHIN DIMENSIONS		SIZE A3		THIS DRAWING CONTAINS INFORMATION THAT IS PROPRIETARY TO MOLEX INCORPORATED AND SHOULD NOT BE USED WITHOUT WRITTEN PERMISSION			

10 9 8 7 6 5 4 3 2 1

F

F

E

E

D

D

C

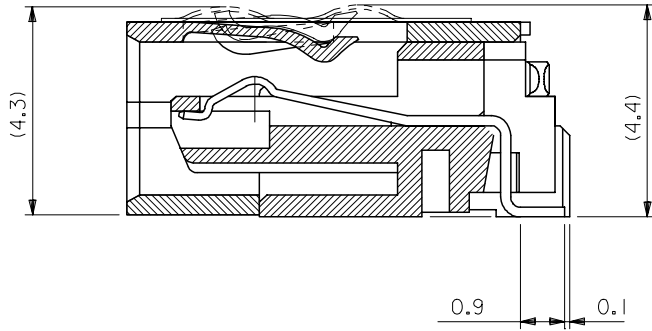
C

B

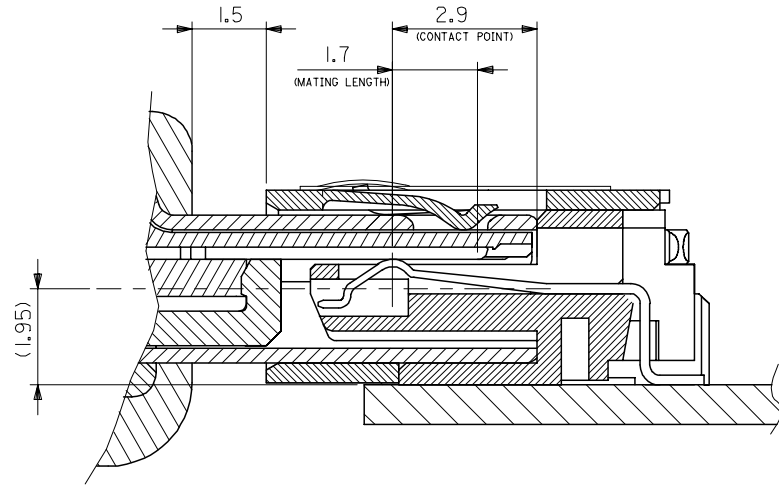
B

A

A



SECTION

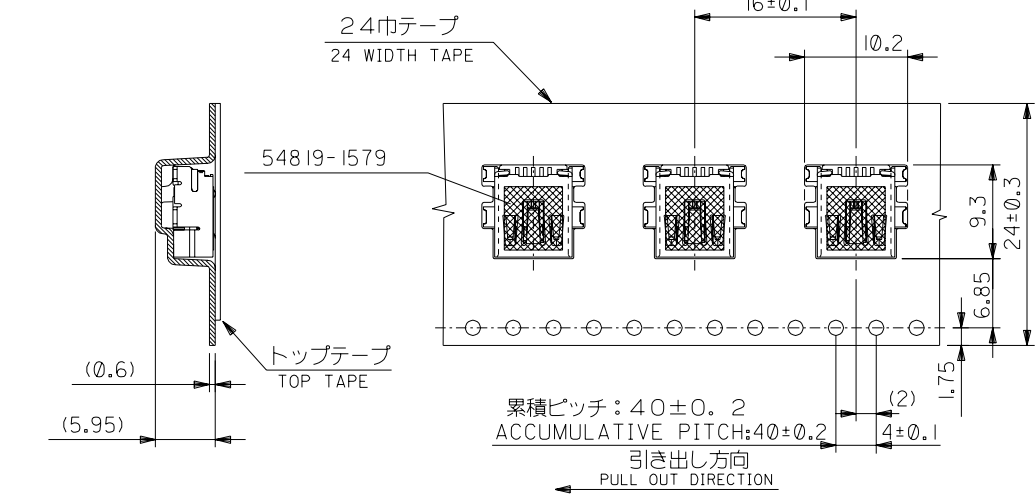
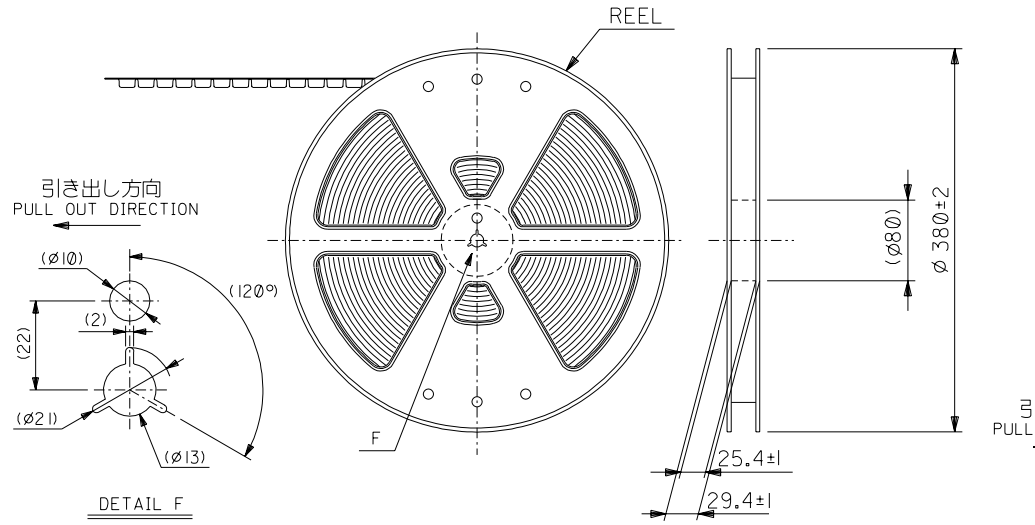


MATING

54819-1579	MATERIAL NO.
54819-***79	MODEL NO.

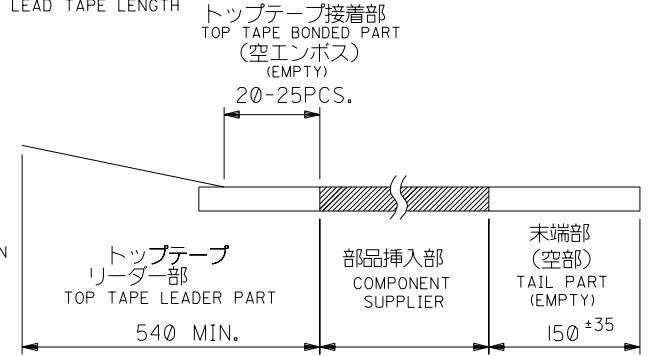
REVISED EC NO: J2006-1106 DRWN: YANAGI MOTO 2005/10/05 CHKD: TANAKA 2005/10/06 APPR: NUKITA 2005/10/13	GENERAL TOLERANCES (UNLESS SPECIFIED)		DIMENSION STYLE MM ONLY		SCALE ---	DESIGN UNITS METRIC	THIRD ANGLE PROJECTION	
	10 UNDER	±0.2	DRAWN BY M. NINOMIYA	DATE 2004/02/16	TITLE USB SERIES MINI-B RECEPTACLE ASS'Y FOR SMT -LEAD FREE-			
	10 OVER 30 UNDER	±0.25	CHECKED BY K. TOJO	DATE 2004/02/16	APPROVED BY M. SASAO 2004/02/16			
	30 OVER	±0.3	MATERIAL NO.		DOCUMENT NO. SD-54819-024		SHEET NO. 2 OF 2	
ANGULAR ±3 °		DRAFT WHERE APPLICABLE MUST REMAIN WITHIN DIMENSIONS		SEE CHART		MOLEX INCORPORATED		
THIS DRAWING CONTAINS INFORMATION THAT IS PROPRIETARY TO MOLEX INCORPORATED AND SHOULD NOT BE USED WITHOUT WRITTEN PERMISSION								

DWG. NO. SD-54819-025

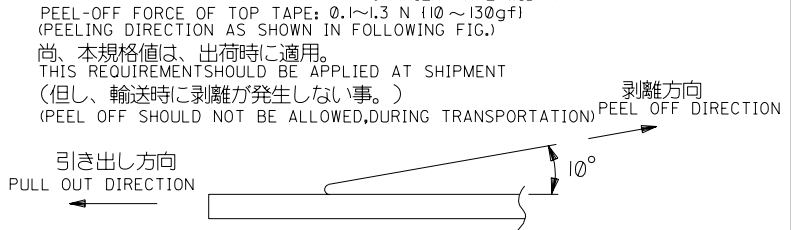


NOTES

- 54819-1579の詳細はSD-54819-024参照  
IN THE PACKAGE PART NO.54819-1579 DETAILED .SEE SD-54819-024
- 梱包数量: 800 個/リール  
NUMBER OF CONNECTORS: 800 PCS/REEL
- リードテープ長さ  
LEAD TAPE LENGTH



- トップテープの剥離強度: 0.1 ~ 1.3 N (10 ~ 130gf)  
(剥離方向は下図参照) キャリアテープ幅: 24mm  
PEEL-OFF FORCE OF TOP TAPE: 0.1~1.3 N (10~130gf)  
(PEELING DIRECTION AS SHOWN IN FOLLOWING FIG.)  
尚、本規格値は、出荷時に適用。  
THIS REQUIREMENT SHOULD BE APPLIED AT SHIPMENT  
(但し、輸送時に剥離が発生しない事。)  
(PEEL OFF SHOULD NOT BE ALLOWED, DURING TRANSPORTATION)



- 材料  
MATERIAL  
キャリアテープ: ポリプロピレン  
CARRIER TAPE: POLYPROPYLENE  
トップテープ: ポリエステル, ポリエチレン  
TOP TAPE: POLYESTER, POLYETHYLENE  
リール: ポリスチレン  
REEL: POLYSTYRENE

- 本製品は 54819-0578, 1578 の鉛フリー品である。  
THIS PRODUCT IS LEAD FREE OF 54819-0578, 1578.

エンボステープ内の製品の向き  
DIRECTION OF CONNECTOR IN EMBOSSED TAPE

DO NOT SCALE DRAWING

54819-025 DRWN: CH'K: APPR: 54819-025 DRWN: CH'K: APPR: 54819-025 DRWN: CH'K: APPR:	REVISED 54819-025 DRWN: CH'K: APPR: 54819-025 DRWN: CH'K: APPR:	RELEASED 54819-025 DRWN: CH'K: APPR: 54819-025 DRWN: CH'K: APPR:	MATERIAL 材料 SEE NOTES	GENERAL TOLERANCES: (UNLESS SPECIFIED) 一般公差 10 UNDER 未満 ±0.2 10 OVER 30 UNDER 未満 ±0.25 30 OVER 以上 ±0.3	WIRE RANGE 適用線径範囲 #	INS. RANGE 被覆外径 #	54819-025	MODEL NO.	DIMENSIONS: <input type="checkbox"/> mm <input type="checkbox"/> INCH <input checked="" type="checkbox"/> mm ONLY	SHT REV
							DRAWN BY & DATE M.NINOMIYA '04/02/13	TITLE: USB SERIES MINI-B REC. HS'G EMBOSSED ASS'Y -LEAD FREE-	CAD FILENAME SD-54819-025.S01	MATERIAL NO. SEE CHART

54819-025	MODEL NO.	DIMENSIONS: <input type="checkbox"/> mm <input type="checkbox"/> INCH <input checked="" type="checkbox"/> mm ONLY	SHT REV
DRAWN BY & DATE M.NINOMIYA '04/02/13	TITLE: USB SERIES MINI-B REC. HS'G EMBOSSED ASS'Y -LEAD FREE-	CAD FILENAME SD-54819-025.S01	MATERIAL NO. SEE CHART
CHECKED BY & DATE K.TOJO '04/02/13	APPROVED BY & DATE H. Saito '04/02/13	MOLEX MOLEX INCORPORATED	DRAWING NO. SD-54819-025
THIS DRAWING CONTAINS INFORMATION THAT IS PROPRIETARY TO MOLEX INCORPORATED AND SHOULD NOT BE USED WITHOUT WRITTEN PERMISSION.			SIZE B