

MICRO SWITCH

FREEMONT ILLINOIS, U.S.A
A DIVISION OF HONEYWELL

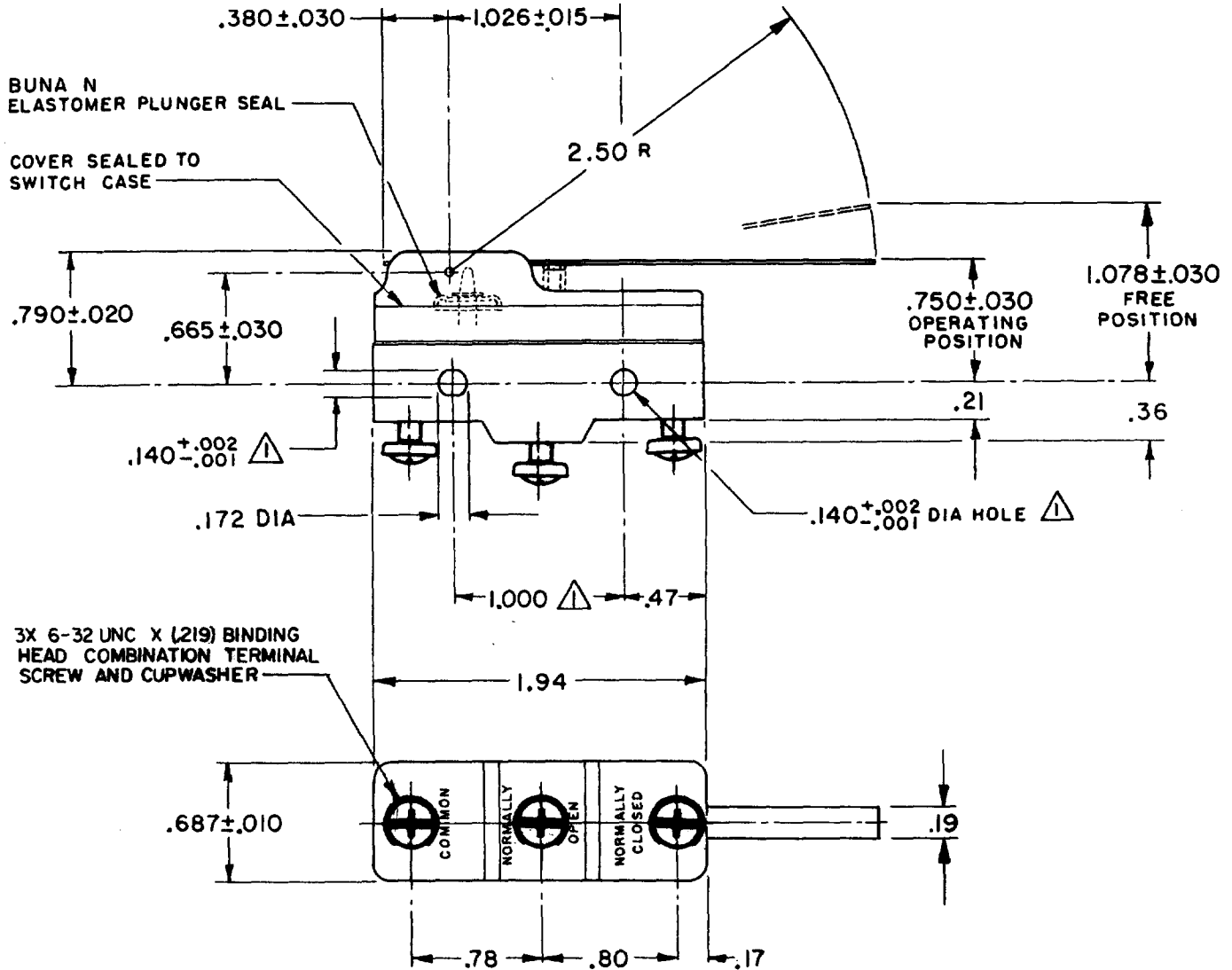
FED. MFG. CODE 91929

SWITCH-BASIC

CATALOG LISTING

BZ-2RW805551-A2

APY8300



NOTES
 ▲ MOUNTING HOLES WILL ACCEPT PINS OR SCREWS OF .139 MAX DIA ON 1.000 ± .002 CENTERS
 2 - SEALED CONSTRUCTION PROVIDES SPLASH RESISTANCE

THIS DRAWING COVERS A PROPRIETARY ITEM AND IS THE PROPERTY OF MICRO SWITCH, A DIVISION OF HONEYWELL. THIS DRAWING IS NOT TO BE COPIED OR USED WITHOUT THE APPROVAL OF MICRO SWITCH.

CHARACTERISTICS	
OPERATING FORCE	2 1/2 OZ MAX
RELEASE FORCE	1/2 OZ MIN
DIFFERENTIAL TRAVEL	.007 -.050
OVERTRAVEL	.219 MIN

ELECTRICAL DATA	
CONTACT ARRANGEMENT S P D T	
L96 15A 125, 250 OR 480 VAC 1/8 HP 125 VAC, 1/4 HP 250 VAC 1/2A 125 VDC, 1/4A 250 VDC	
-L288-	CE EN05 EC RJ
-L306-	
-L315-	

SCALE FULL		
DO NOT SCALE PRINT		
UNLESS OTHERWISE NOTED DIMENSIONS ARE IN INCHES		
TOLERANCES ARE:		
ONE PLACE (.0)	± .030	
TWO PLACE (.00)	± .015	
THREE PLACE (.000)	± .005	
ANGLES	±	
WEIGHT .073 LB		

FORMTEK
 FO-50378-1A
 DRAWN
 GCH 27 DEC 69
 CHECK
 LSO
 1 FEB 70
 CHECK
 GNT
 19 MAY 93
 DLT
 17 SEP 98
 E 0015138
 SPK
 29 AUG 05
 CHECK
 RJ
 29 AUG 05
 RELEASE NO. PR-1033
 REPLACES
 BZ-2RW805551-A2
 PAGE 1 OF 1

DRAWING NUMBER
 6
 ISSUE

REVISIONS	
A	CO67209
3	JAP MAY 90
B	CO- 73287-B DHD 19 MAY 93
C	CO- 77589 MAM 29 MAR 94
D	CO93346
E	DLT 17 SEP 98
	SPK 29 AUG 05