

MICRO SWITCH
a Honeywell Division

FED. MFG. CODE 91929

SWITCH - BASIC

CATALOG LISTING

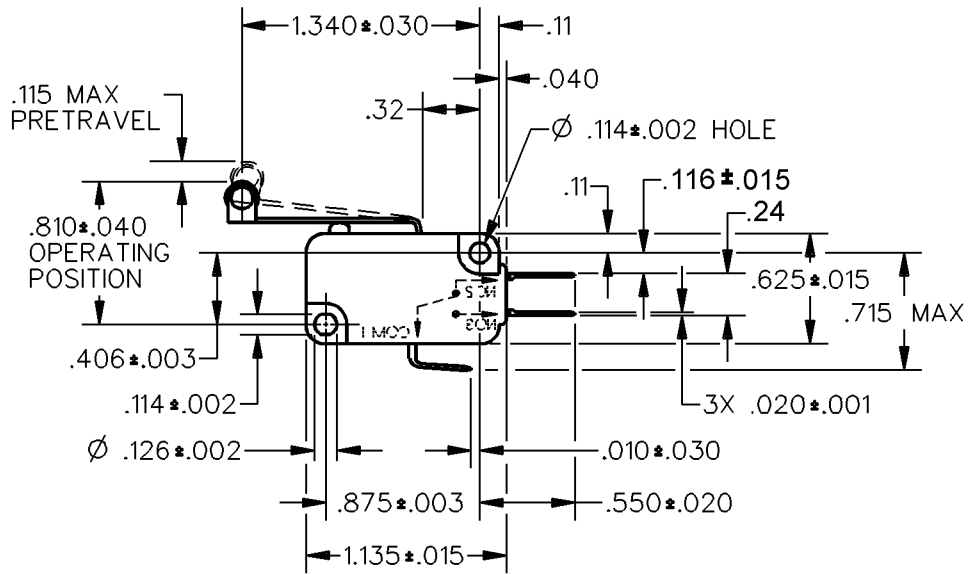
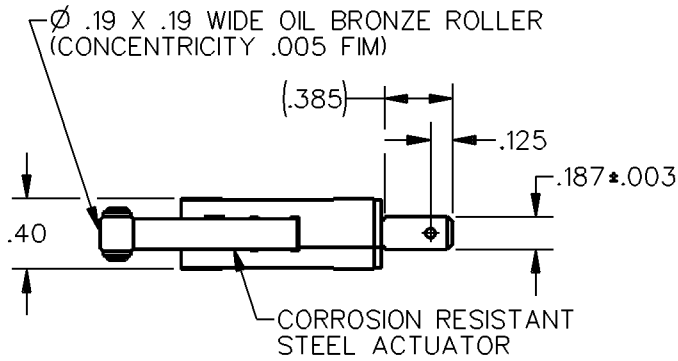
V7-2B17D8-207

CW-B3087

CATALOG LISTING
V7-2B17D8-207
REPLACES
RELEASE NO. PR-19218
CHECK
30JAN12
CMH
CHECK
12 JUN 91
JAL
CHECK
11 JUN 91
WJC
DRAWN
RASTER

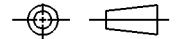
ISSUE
M
3


REVISIONS	
A	CO 76214 GRT 20 OCT 93
B	0085964 SBH 30JAN12



THIS DRAWING COVERS A PROPRIETARY ITEM AND IS THE PROPERTY OF MICRO SWITCH, A DIVISION OF HONEYWELL. THIS DRAWING IS NOT TO BE COPIED OR USED WITHOUT THE APPROVAL OF MICRO SWITCH.

THIRD ANGLE PROJECTION



CHARACTERISTICS	ELECTRICAL DATA	SCALE	NONE	DO NOT SCALE PRINT
		<p>UNLESS OTHERWISE SPECIFIED TOLERANCES ARE</p> <p>ONE PLACE (.0) ± .030</p> <p>TWO PLACE (.00) ± .015</p> <p>THREE PLACE (.000) ± .005</p> <p>ANGLES ±</p> <p>WEIGHT</p>		
OPERATING FORCE --- 45 GRAMS MAX	<p>CONTACT ARRANGEMENT S P D T</p> <p>L156 11A 1/3HP 125, 250 OR 277 VAC 1/2A 125 VDC, 1/4A 250 VDC 4A 125 VAC "L"</p> 			
RELEASE FORCE --- 3 GRAMS MIN				
DIFFERENTIAL TRAVEL --- .025 MAX				
OVERTRAVEL --- .065 MIN				
RELEASE TRAVEL --- .016 MIN				